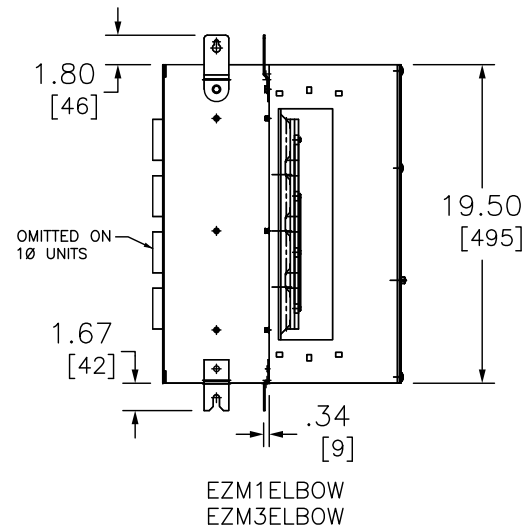
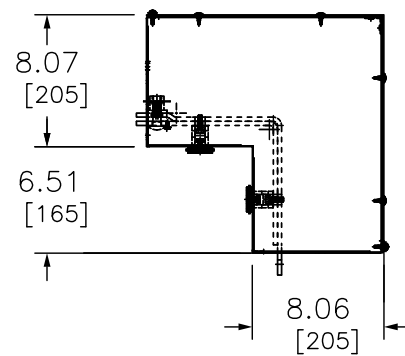
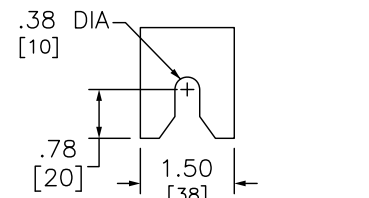


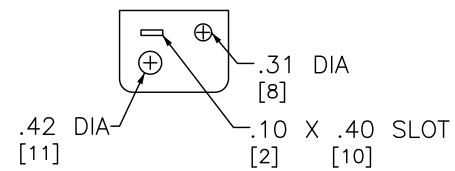
TOP MOUNTING BRACKET



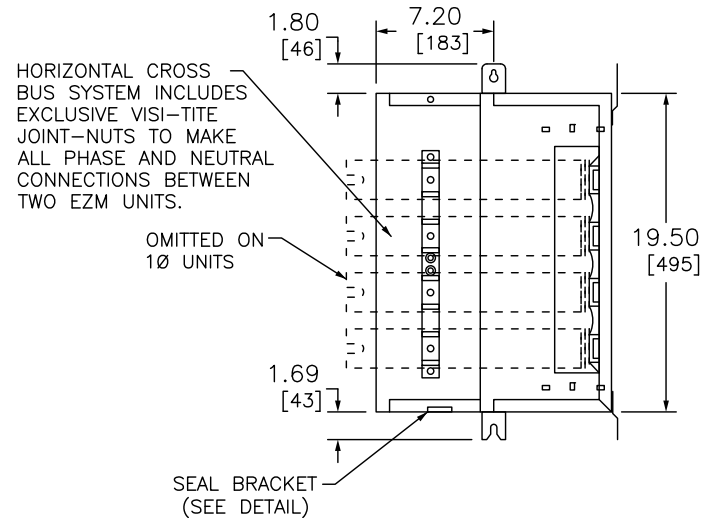
EZM1ELBOW
EZM3ELBOW



BOTTOM MOUNTING BRACKET

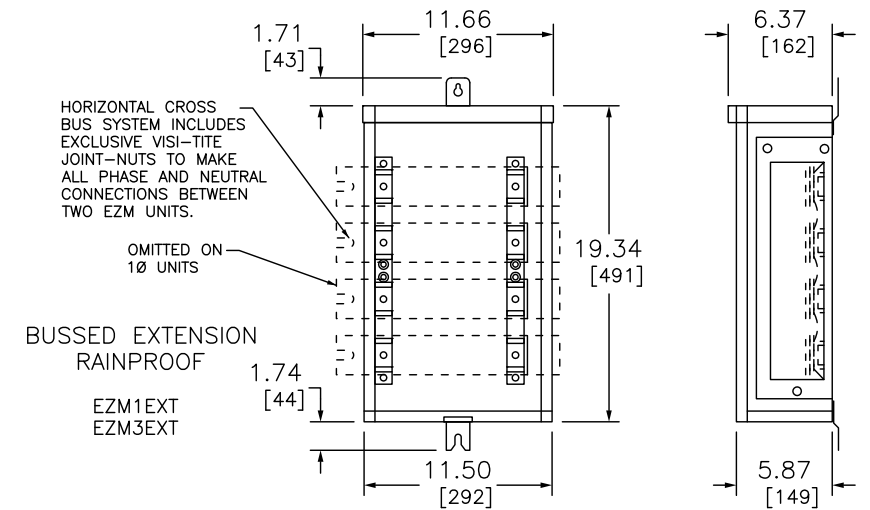


SEAL BRACKET

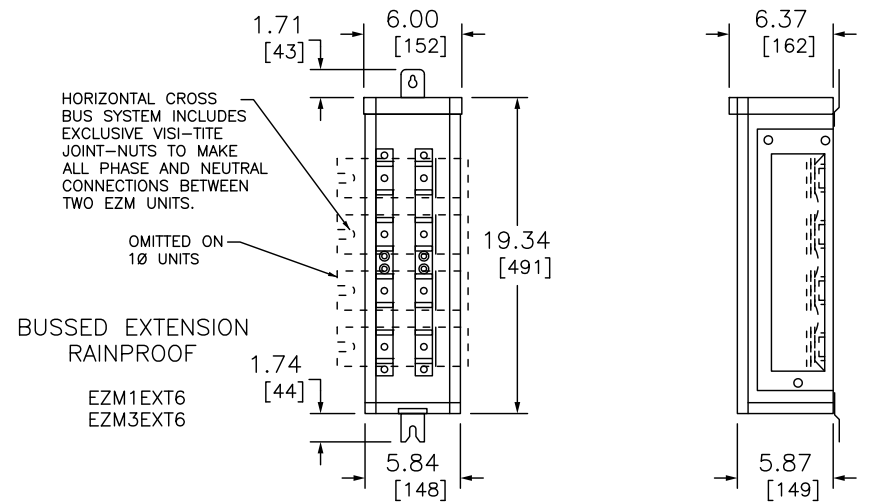


BUSSED CORNER SECTION
INDOOR ONLY

EZM1CORNER
EZM3CORNER



BUSSED EXTENSION
RAINPROOF
EZM1EXT
EZM3EXT



BUSSED EXTENSION
RAINPROOF
EZM1EXT6
EZM3EXT6

DUAL DIMENSIONS: INCHES
MILLIMETERS

SYSTEM TYPE (IN)	SERVICE PROVIDED (OUT)	CATALOG NUMBER	DESCRIPTION
1Ø 3W 120/240 VAC	1Ø 3W 120/240 VAC	EZM1CORNER (INDOOR ONLY)	BUSSED CORNER SECTION (INSIDE ELBOW)
		EZM1ELBOW (INDOOR ONLY)	BUSSED ELBOW SECTION (OUTSIDE CORNDR)
		EZM1EXT6	6" BUSSED EXTENSION SECTION
		EZM1EXT	12" BUSSED EXTENSION SECTION
3Ø 4W 208Y/120 VAC OR 240/120 VAC DELTA	3Ø 4W 208Y/120 VAC OR 240/120 VAC DELTA	EZM3CORNER (INDOOR ONLY)	BUSSED CORNER SECTION (INSIDE ELBOW)
		EZM3ELBOW (INDOOR ONLY)	BUSSED ELBOW SECTION (OUTSIDE CORNDR)
		EZM3EXT6	6" BUSSED EXTENSION SECTION
		EZM3EXT	12" BUSSED EXTENSION SECTION

NOTES:
FINISH - GRAY BAKED ENAMEL POWDER COAT PAINT OVER CLEANED GALVANNEALED STEEL.
UL LISTED - FILE E-131840, VOL M.
MAIN HORIZONTAL CROSS BUS RATED AT 1200 AMPERES.
GANGABLE MULTI-METERING EQUIPMENT IS DESIGNED FOR WALL MOUNTING ONLY (NOT SUITABLE FOR FLOOR STANDING EQUIPMENT).
UNMETERED COMPARTMENTS ARE SEALABLE BY UTILITY.

EZ METER-PAK GANGABLE
MULTI-METERING EQUIPMENT
1200A BUSSED CORNER SECTIONS - INDOOR NEMA TYPE 1
ENCLOSURES - 1200A BUSSED EXTENSION SECTIONS
RAINPROOF NEMA TYPE 3R ENCLOSURES



DWG# 3162
NO.