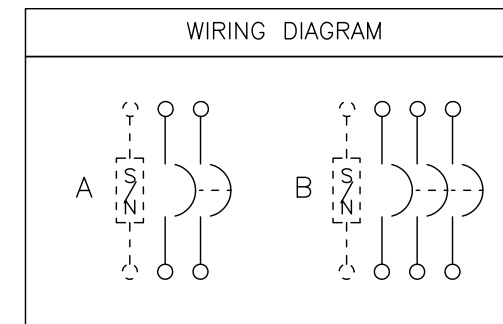


SEISMIC NOTES:
 USE (4) 1/4" DIA GRADE 5 STEEL MOUNTING BOLTS @ HOLES AA
 MAX CONFIGURED WEIGHT 52 LB FOR THE PURPOSE OF DETERMINING
 SEISMIC ANCHORAGE REQUIREMENTS. FOR ALL OTHER APPLICATIONS,
 CONTACT SQUARE D COMPANY.

CIRCUIT BREAKER TERMINAL LUG DATA					
CIRCUIT BREAKER CATALOG NO PREFIX	AMPERE RATING	CONDUCTORS PER PHASE	WIRE SIZE (AWG/KCMIL)		TYPE
			MIN	MAX	
LAL, LHL	125-400A	1	#1	600	AL OR CU
		2	#1	250	
Q4L	250-400A	1	#1	600	AL OR CU
		2	#1	250	

SYMBOL	CONDUIT SIZE		DIAMETER	
	IN	MM	IN	MM
A	.50	13	.88	22
B	.75	19	1.13	29
C	1.00	25	1.38	35
D	1.25	32	1.75	45
E	1.50	38	2.00	51
F	2.00	51	2.50	64
G	2.50	64	3.00	76
H	3.00	76	3.63	92
I	3.50	89	4.13	105



EQUIPMENT GROUND KIT					
CATALOG NUMBER		CONDUCTORS PER TERMINAL	WIRE SIZE (AWG/Kcmil)		WIRE TYPE
			MIN	MAX	
PKOGTA2	2	1	6	2/0	AL OR CU
			10	2/0	

FIELD INSTALLABLE SOLID NEUTRAL ASSEMBLIES												
NEUTRAL TERMINATION DATA							GROUND TERMINATION DATA					
CATALOG NUMBER	MAXIMUM AMPERE RATING	NUMBER OF TERMINALS		CONDUCTORS PER TERMINAL	WIRE SIZE (AWG/Kcmil)		WIRE TYPE	NUMBER OF TERMINALS	CONDUCTORS PER TERMINAL	WIRE SIZE (AWG/Kcmil)		WIRE TYPE
		IN	OUT		IN	OUT				MIN	MAX	
SN225KA	225A	1	1	1	4	300	AL OR CU	2	1	14	1/0	AL OR CU
400SN	400A	1	1	1	1	600		2	1	4	300	

FIELD INSTALLED CIRCUIT BREAKER DATA										
CIRCUIT BREAKER CATALOG NO PREFIX	AMPERE RATING	UL LISTED INTERRUPTING RATING RMS SYMMETRICAL AMPERES								FEDERAL SPECS W-C-375B/GEN
		AC VOLTAGE						DC VOLTAGE		
		120	240	480Y/277	480	600	125	250		
LAL	125-400	42K	42K	30K	30K	22K	10K	10K	21A	
LHL	125-400	65K	65K	35K	35K	25K	10K	10K	23A	
Q4L	250-400	25K	25K	-	-	-	-	-	14B	

NOTES:
 FINISH - GRAY BAKED ENAMEL ELECTRODEPOSITED OVER CLEANED PHOSPHATIZED STEEL.
 UL LISTED - FILE E-136861. CSA CERTIFIED - FILE # LL89067.
 SUITABLE FOR USE AS SERVICE EQUIPMENT (US ONLY) WHEN NEUTRAL ASSEMBLY IS INSTALLED.
 NEUTRAL - INSULATED GROUNDABLE.
 THE SHORT CIRCUIT CURRENT RATING OF THIS ENCLOSED CIRCUIT BREAKER IS EQUAL TO THE INTERRUPTING RATING, AT THE SUPPLY VOLTAGE MARKED ON THE CIRCUIT BREAKER INSTALLED.

LA400R 125-400 AMPERE
 CIRCUIT BREAKER ENCLOSURES
 NENA/EEMAC TYPE 3R RAINPROOF ENCLOSURE



DWG# 3077S
 NO.