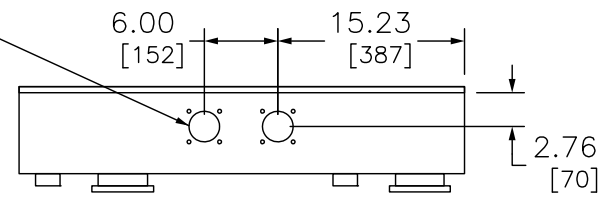


SUPPLIED WITH
ACPL CLOSING PLATE
(FOR UNDERGROUND
SERVICE) ORDER TYPE
A-L HUB SEPARATELY
(FOR OVERHEAD SERVICE)

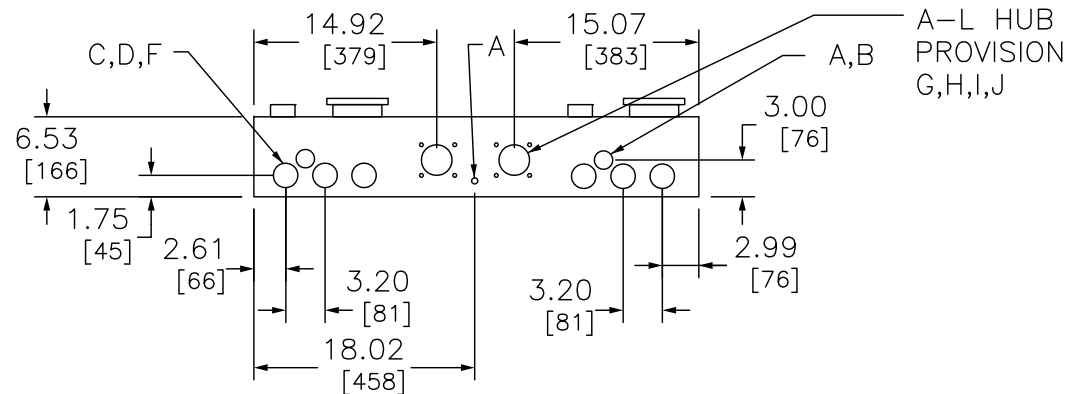
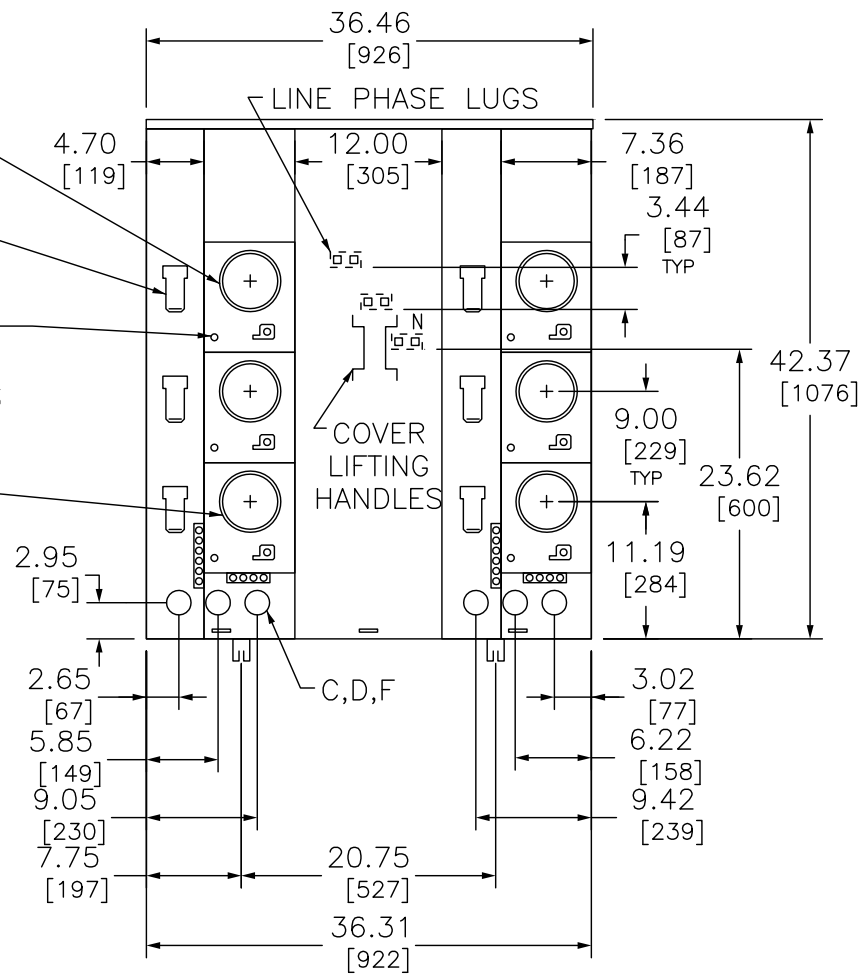


TOP POSITION
OMITTED ON
5-GANG UNIT

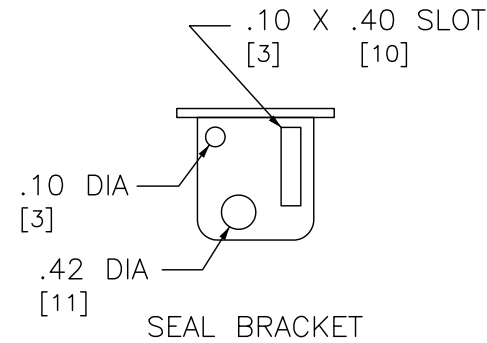
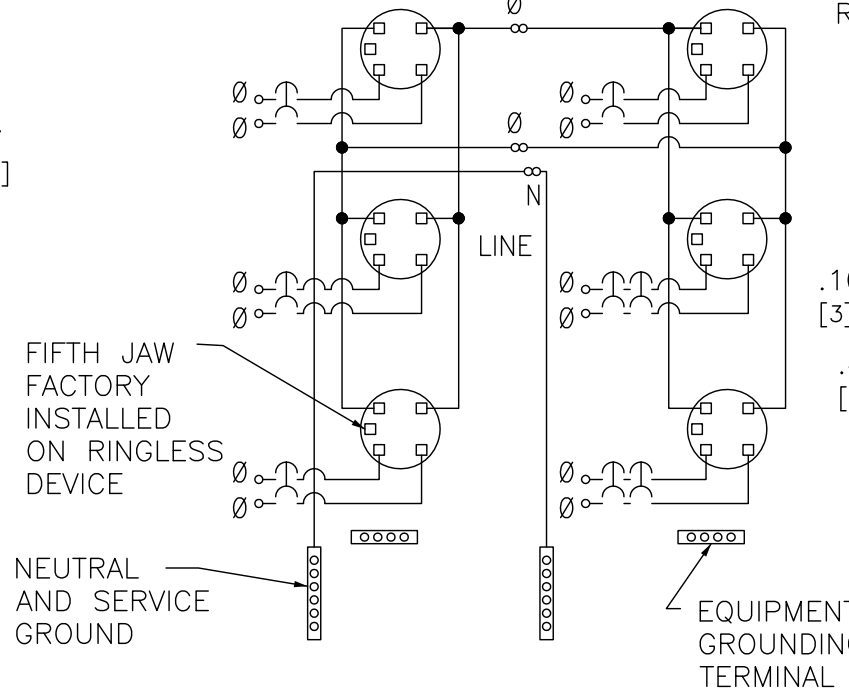
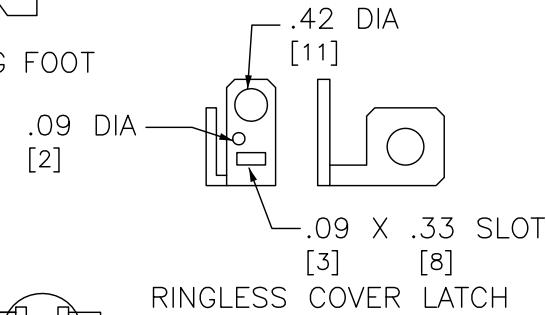
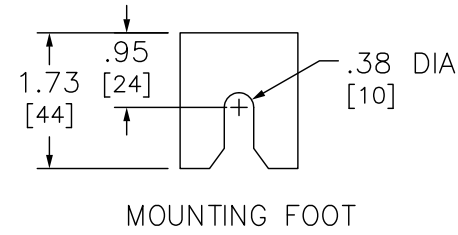
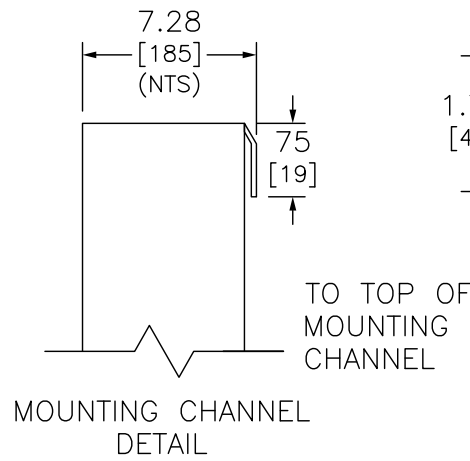
TENANT CIRCUIT
BREAKER DOORS
(PADLOCKABLE)

COVER KNOCKOUT FOR
USE WITH UTILITY
BARREL LOCK (RINGLESS
DEVICES ONLY)

INDIVIDUAL METER
SOCKET COVERS:
RING TYPE (INCLUDES
SNAP TYPE ALUMINUM
SEALING RINGS) OR
RINGLESS STYLE
(SUPPLIED WITH
COVER SEALING
LATCHES)



NOTES:
FINISH - UL COMPONENT RECOGNIZED GRAY BAKED POWDER COAT PAINT OVER CLEANED PHOSPHATIZED STEEL.
UL LISTED - FILE E-6294. SUITABLE ONLY FOR USE AS SERVICE EQUIPMENT. SUITABLE FOR OH/UG SERVICE.
RING-TYPE DEVICE SUPPLIED WITH 4-JAW METER SOCKET, 5TH JAW KIT AVAILABLE.
SURFACE MOUNT, CONVERTABLE TO SEMI-FLUSH WITH FIELD INSTALLED KIT.
MECHANICAL LUGS FACTORY INSTALLED, LUG LANDING PADS AVAILABLE. ORDER CATALOG NUMBER MMSK2.
■ LOAD PHASE LUGS ARE SUPPLIED AS A PART OF THE CIRCUIT BREAKER (TENANT SERVICE DISCONNECT).
◆ THE METER CENTER SHORT CIRCUIT CURRENT RATING IS EQUAL TO THE LOWEST SHORT CIRCUIT CURRENT RATING GIVEN IN THE TABLE FOR ANY CIRCUIT BREAKER INSTALLED IN THE METER CENTER.



SYMBOL	KNOCKOUTS			
	CONDUIT SIZE		HOLE DIAMETER	
	IN	MM	IN	MM
A	.50	13	.88	22
B	.75	19	1.25	32
C	1.00	25	1.38	35
D	1.25	32	1.75	44
E	1.50	38	2.00	51
F	2.00	51	2.50	64
G	2.50	64	3.00	76
H	3.00	76	3.63	92
I	3.50	89	4.13	105
J	4.00	102	4.63	117

INTERRUPTING RATING RMS SYMMETRICAL AMPERES AT 120/240 V AC MAX ◆	SQUARE D CIRCUIT BREAKER CATALOG DESIGNATION	CIRCUIT RATING AMPERES MAX
10,000	QO	125
22,000	QO-VH	125
42,000	QOH	125

ALTERNATE MECHANICAL LUGS	
WIRE SIZE	CATALOG NO
(1) 1/0-600 AWG/KCMIL OR (2) 1/0-250 PER PHASE	MMLK250
(2) 3/0-500 AWG/KCMIL PER PHASE	MMLK500
(2) 2-600 AWG/KCMIL PER PHASE	MMLK600

DUAL DIMENSIONS: INCHES
MILLIMETERS

METER SOCKET COVER	NO. OF METER SOCKETS	NO. OF JAWS	FACTORY INSTALLED BYPASS	120/240VAC, 1Ø 3 WIRE OR 208y/240VAC, 1Ø 3 WIRE (5TH JAW REQUIRED)		LOAD LUG WIRE SIZES (AWG-KCMIL)		
				MAIN BUS RATING	CATALOG NUMBER	LINE LUG WIRE SIZES (AWG/KCMIL)	PHASE ■	NEUTRAL, SERVICE GROUND & EQUIPMENT GROUNDING
RING-TYPE	5	4	NONE	500	MP55-125	(1) 1/0-600 OR (2) 1/0-250	SEE CIRCUIT BREAKER WIRE SIZE	2/0-14 CU, 2/0-12 AL
RING-TYPE	6	4	NONE	600	MP66-125			
RINGLESS	5	5	NONE	500	MPR55-125			
RINGLESS	5	5	HORN	500	MPH55-125			
RINGLESS	6	5	NONE	600	MPR66-125			
RINGLESS	6	5	HORN	600	MPH66-125			

MP METER-PAK METERING EQUIPMENT
NEMA TYPE 3R ENCLOSURE
125A MAXIMUM TENANT CIRCUIT BREAKERS



DWG# 2250
NO.