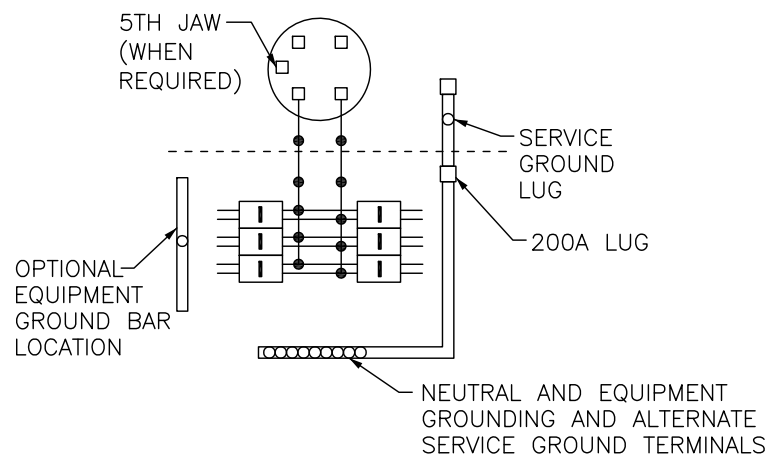
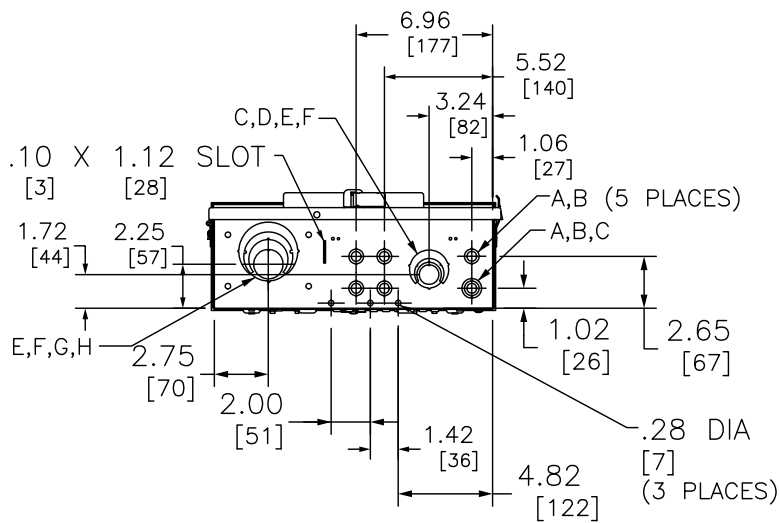


SYMBOL	CONDUIT SIZE	
	IN	MM
A	.50	13
B	.75	19
C	1.00	25
D	1.25	32
E	1.50	38
F	2.00	51
G	2.50	64
H	3.00	76

COMBINATION SERVICE ENTRANCE DEVICES
 RINGLESS METER MAIN
 RAINPROOF NEMA TYPE 3R ENCLOSURE
 SURFACE ONLY



TWO POLE TYPE QO OR QOA (15-100A) MAY PLUG ON TWO ADJACENT SPACES. TWO POLE TYPE QOC (150-200A) MAY PLUG ON FOUR ADJACENT SPACES ON RIGHT SIDE ONLY.

USE 15-100A AND 15-200A BRANCH BREAKERS ONLY. INSTALL NO MORE THAN SIX CIRCUIT BREAKERS.

TWO POLE TYPE HOM (15-100A) MAY PLUG ON TWO ADJACENT SPACES. TWO POLE TYPE HOMA (150-200A) MAY PLUG ON FOUR ADJACENT SPACES ON RIGHT SIDE ONLY.

USE 15-100A AND 15-200A BRANCH BREAKERS ONLY. INSTALL NO MORE THAN SIX CIRCUIT BREAKERS

A SQUARE D UL LISTED SECONDARY SURGE ARRESTER MAY PLUG ON TWO ADJACENT SPACES. ORDER CAT. NO. HOM2175SB

A SQUARE D UL LISTED SECONDARY SURGE ARRESTER MAY PLUG ON TWO ADJACENT SPACES. ORDER CAT. NO. QO2175SB

NOTES:
 FINISH - GRAY BAKED ENAMEL POWDER COAT PAINT OVER CLEANED GALVANNEALED STEEL.
 MAXIMUM SYSTEM VOLTAGE: 120/240VAC, 1 Ø 3W 50-60HZ 208Y/120VAC, 1 Ø 3W, 50-60HZ (FROM A 3Ø 4W SYSTEM)
 UL LISTED - FILE E-6294, VOL. M
 SUITABLE ONLY FOR USE AS SERVICE EQUIPMENT. INSTALL NO MORE THAN SIX MAIN DISCONNECT MEANS. SUITABLE FOR UNDERGROUND/OVERHEAD SERVICE.

DUAL DIMENSIONS: INCHES MILLIMETERS

MAINS AMPERE RATING	SHORT CIRCUIT CURRENT	CATALOG NUMBER	SERIES S	SPACES S	MAXIMUM NUMBER OF TWO POLE QO CIRCUITS	MAXIMUM NUMBER OF TWO POLE HOM CIRCUITS	LINE SIDE PHASE & NEUTRAL LUGS AWG/KCMIL	SERVICE GROUND LUG
200	10K	QC12L200C	M02	12	6	-	#6-350 CU/AL	#14-2/0 CU #12-2/0 AL
		RC12L200C			-	6		

DWG# 1999

