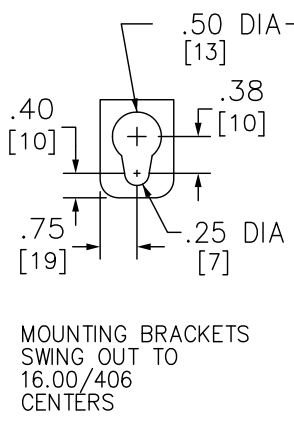
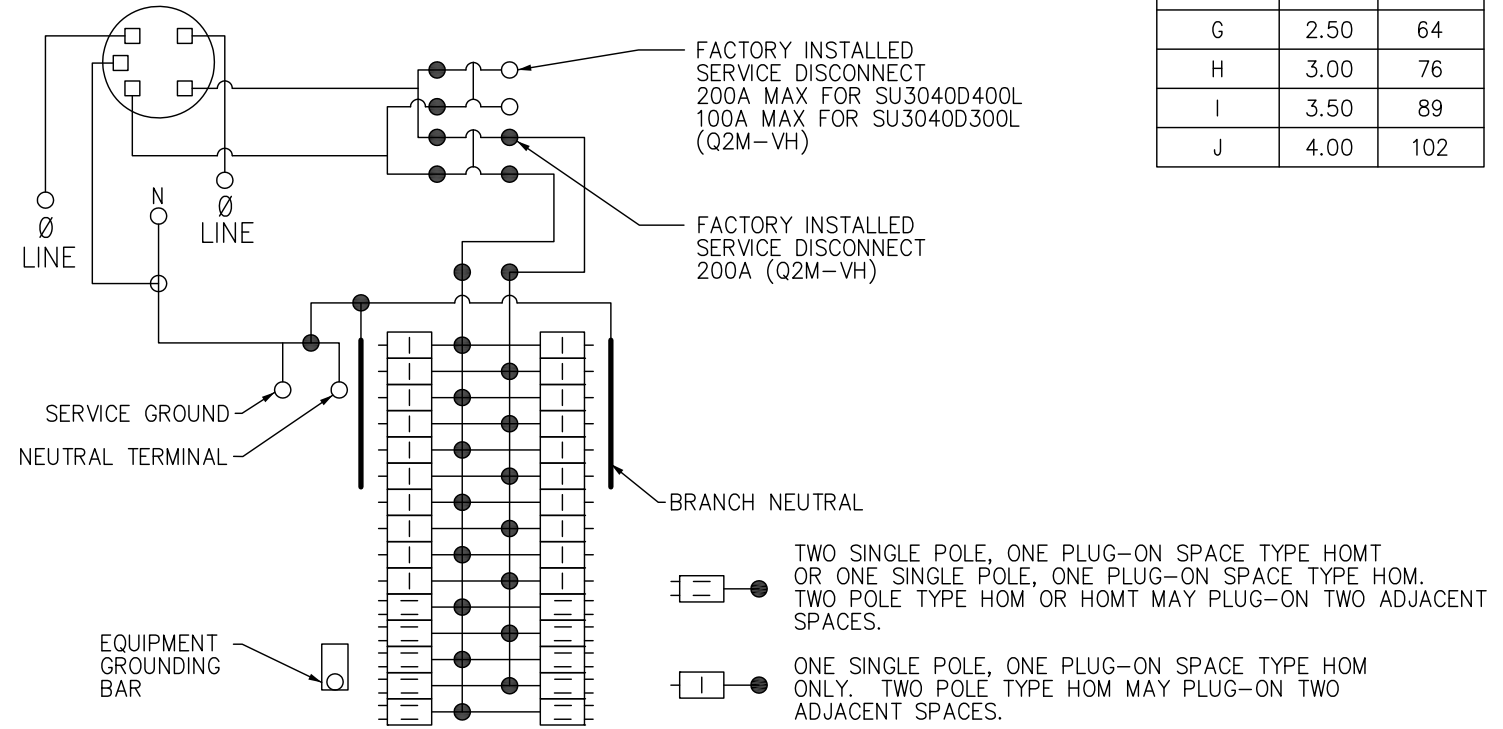
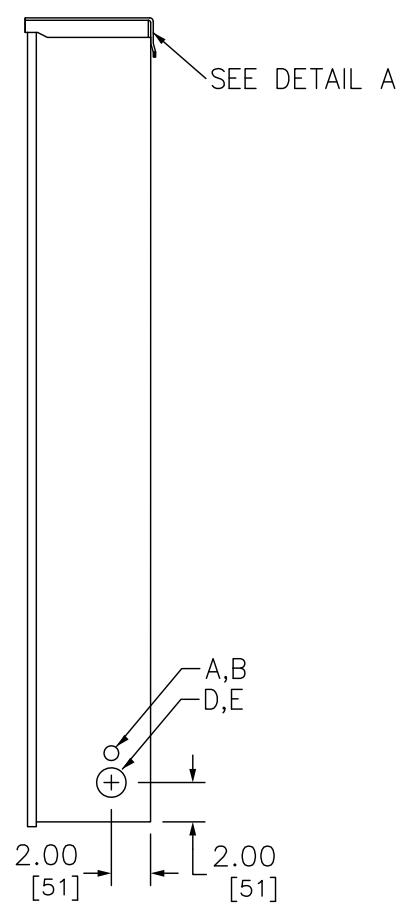
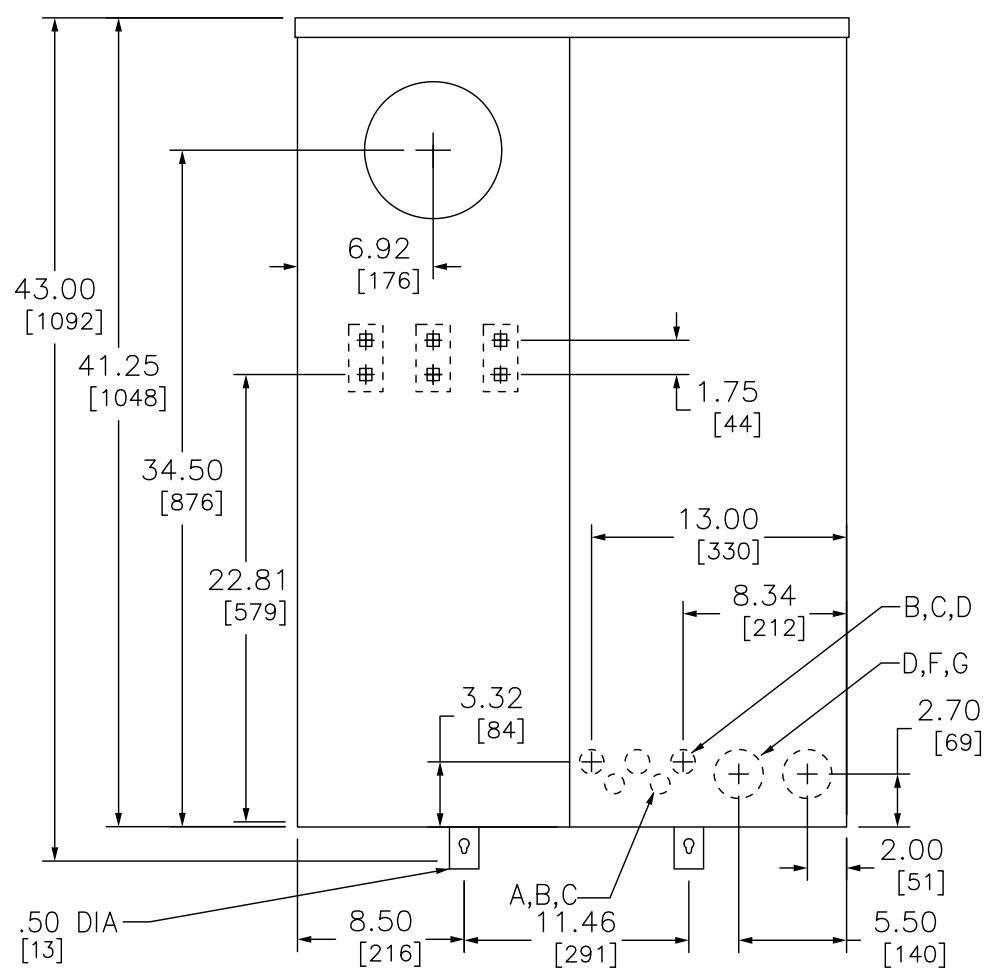
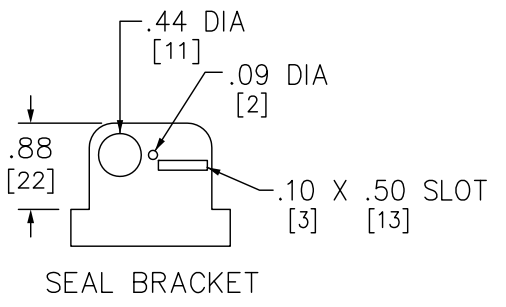


SYMBOL	CONDUIT SIZE	
	IN	MM
A	.50	13
B	.75	19
C	1.00	25
D	1.25	32
E	1.50	38
F	2.00	51
G	2.50	64
H	3.00	76
I	3.50	89
J	4.00	102



MOUNTING BRACKETS SWING OUT TO 16.00/406 CENTERS

G,H,I,J 2.00/51 THROUGH 4.00/102 A/L HUB



BRANCH CIRCUIT BREAKERS			SERVICE DISCONNECTS		PANEL BOARD SHORT CIRCUIT CURRENT RATING		
TYPE	POLES	AMPERE RATING	TYPE	AMPERE RATING	SYMMETERICAL AMPERES RMS	VOLTS AC	PHASE
HOM	1	15-50	Q2M...VH	100-200	22,000	120/240	SINGLE
	2	15-70	Q2M...VH	100-200	22,000	120/240	SINGLE
HOMT	2	80-110	Q2M...VH	100-200	10,000	120/240	SINGLE
	1	15-20	Q2M...VH	100-200	22,000	120/240	SINGLE
	2	15-30	Q2M...VH	100-200	22,000	120/240	SINGLE

DUAL DIMENSIONS: INCHES MILLIMETERS

CATALOG NUMBER	SERIES	BYPASS TYPE	MAXIMUM SYSTEM VOLTAGE	AMPERE RATING	SPACES	MAXIMUM NUMBER OF SINGLE POLE HOM CIRCUITS	SHORT CIRCUIT CURRENT RATING	MAIN WIRE SIZE AWG/KCMIL AL/CU
SU3040D400L	M03	LEVER	120/240VAC	400	30	40	22K/10K	SUPPLIED WITH LUG PADS - ORDER LUGS SEPARATELY
SU3040D300L	M03	LEVER	1Ø 3W	300				

NOTES:
 FINISH - GRAY BAKED ENAMEL POWDER COAT PAINT OVER CLEANED GALVANNEALED STEEL
 SUITABLE ONLY FOR USE AS SERVICE EQUIPMENT.
 SUITABLE FOR UNDERGROUND SERVICE ONLY.
 UL - LISTED FILE E-6294, VOL. M
 CONVERTIBLE TO SEMIFLUSH WITH SU400F FLANGE KIT.
 TO MEET EUSERC SPECIFICATIONS ORDER RINGLESS COVER KIT CATALOG NO C400L.

COMBINATION SERVICE ENTRANCE DEVICES
 RINGLESS ALL-IN-ONE
 RAINPROOF NEMA TYPE 3R ENCLOSURE
 SURFACE/SEMIFLUSH



DWG# 1976
 NO.