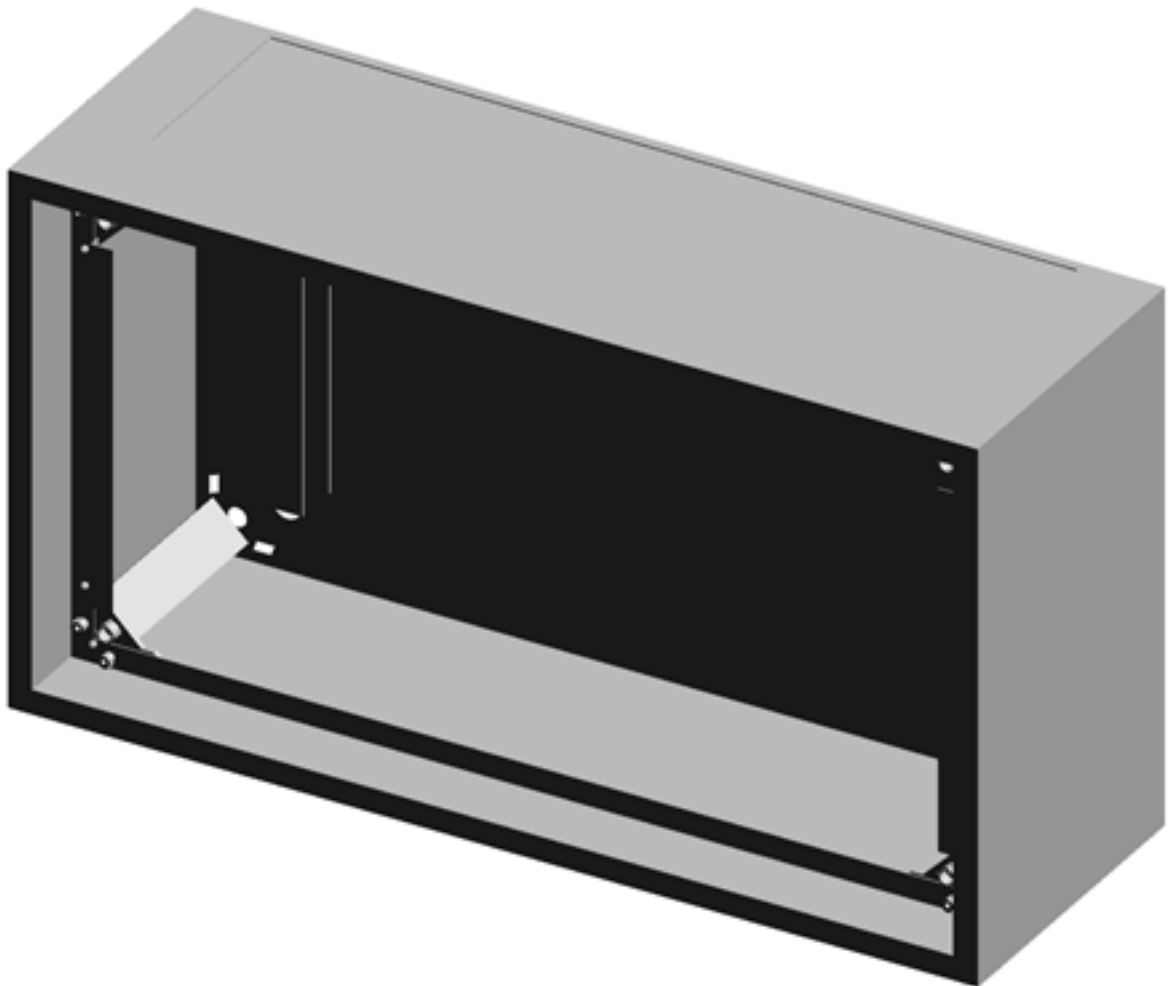


Contents

	Page
1 3D model	2
2 Configuration settings	3

1 3D model



2 Configuration settings

Configuration	
Part Number	08102
Description	Wall-mounted enclosure, W = 600 mm, 6 modules

Bill of Materials Data	
Manufacturer	Schneider Electric
Description	Wall-mounted enclosure, W = 600 mm, 6 modules
Part Number	08102