

Smart living solutions
for your home with
LexCom Performance

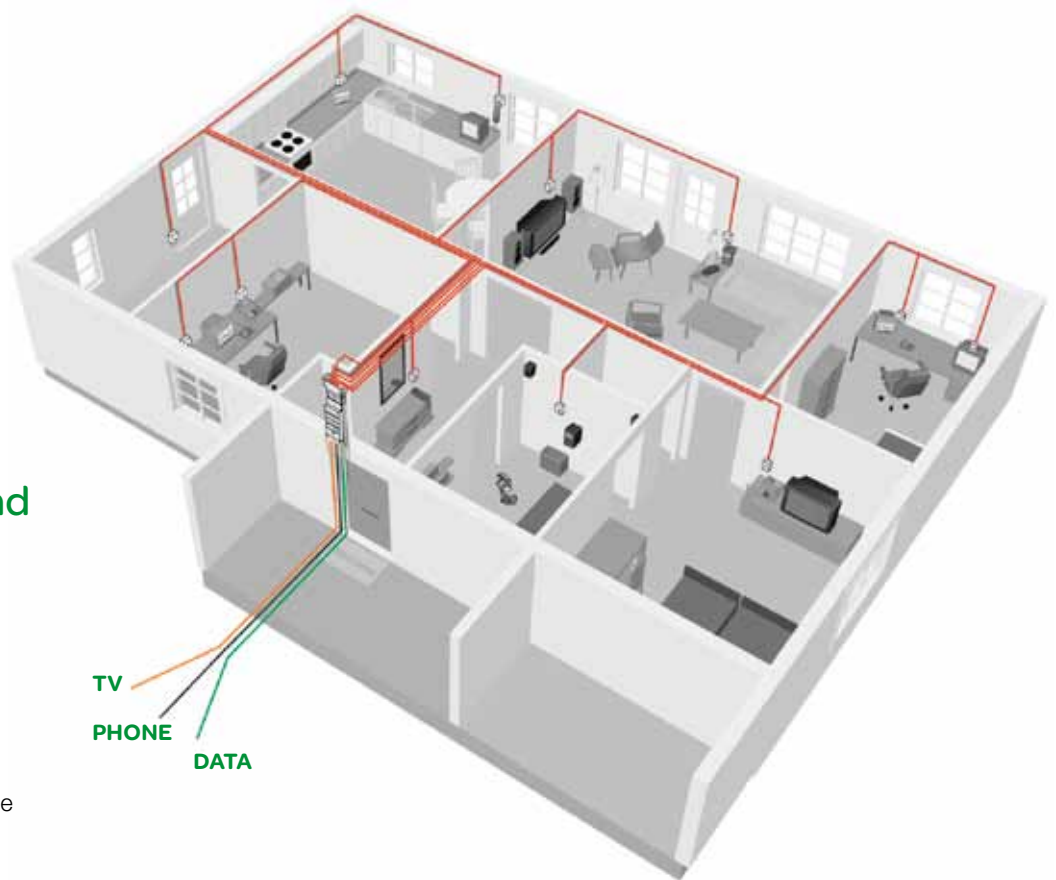


A LexCom Performance home is a home that delivers multiple services to every outlet in every room. There are no visible trailing cables or leads between rooms providing occupants with TV, data and/or telephone services at every outlet. With a LexCom Performance installation occupants can alter a room layout without compromise.

Why?

Because in a home equipped with LexCom Performance there is permanent access to phone, data and TV in every room, from any outlet.

For you the benefits are immediate. From the moment you move in you can simply access all of your services from any outlet, in the knowledge that you have a future proofed system in place to deliver real flexibility in how you use your space.



The functional and discreet design

Utilising a variety of metal and white moulded faceplates, the LexCom Performance outlet makes your rooms wiring accessories selection.

All that is visible when not in use is a outlet plate that is included within the room and its surroundings.

The core unit is compact in size eliminating large and unsightly patch panel enclosures.



The core unit

This is where the incoming phone, TV and data cables are connected. The VDI signals are then permanently transmitted to all telecommunications outlets in all rooms, through one single cable. The core unit also acts as an amplifier for radio and television signals. All VDI signals are distributed via a single link, using RJ45 connector systems and the LexCom Performance twisted-pair cable.

Since every core unit has 8 links, and the cable carries 3 services, the system (with just one box) is equivalent in functionalities to 24 phone, TV and data outlets. Using the newly released triple play splitter allows all 3 services to be used simultaneously. As a portable device this can be moved between rooms as required, providing a very flexible solution.



Flexible telephone solution

Switches for selecting which of the two phone lines to route to each link. The system is easy to adjust with the test kit; simply check the amplification level and the overall signal level.



Scalable solution for the home

For additional outlets simply add one more LexCom Performance box and get 8-16-24-32 outlets. (restrictions apply to on 2nd phone lines access)



Designed for the end user, but not forgetting the installer

The system has been design for inclusion within:

- new build construction
- domestic rewire
- renovation projects

Contact your Electrician or local electrical wholesaler for more information.

This is how it works...

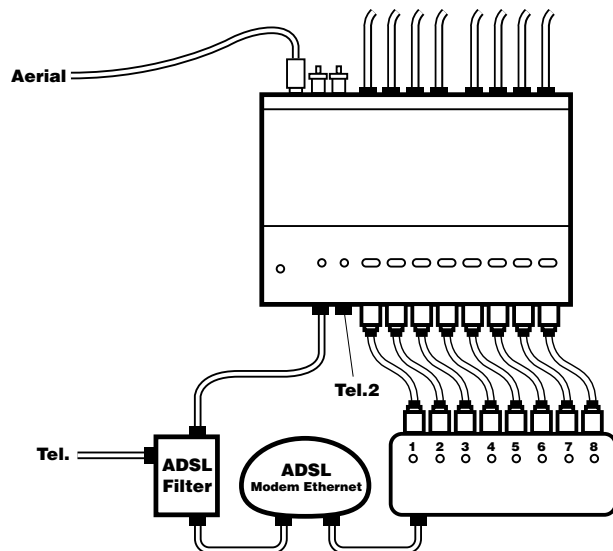
LexCom Performance is an all-in-one VDI solution delivering Voice, Data, Image signals via one single cable, to every outlet in the home.



The ease of a “Plug and Play” solution

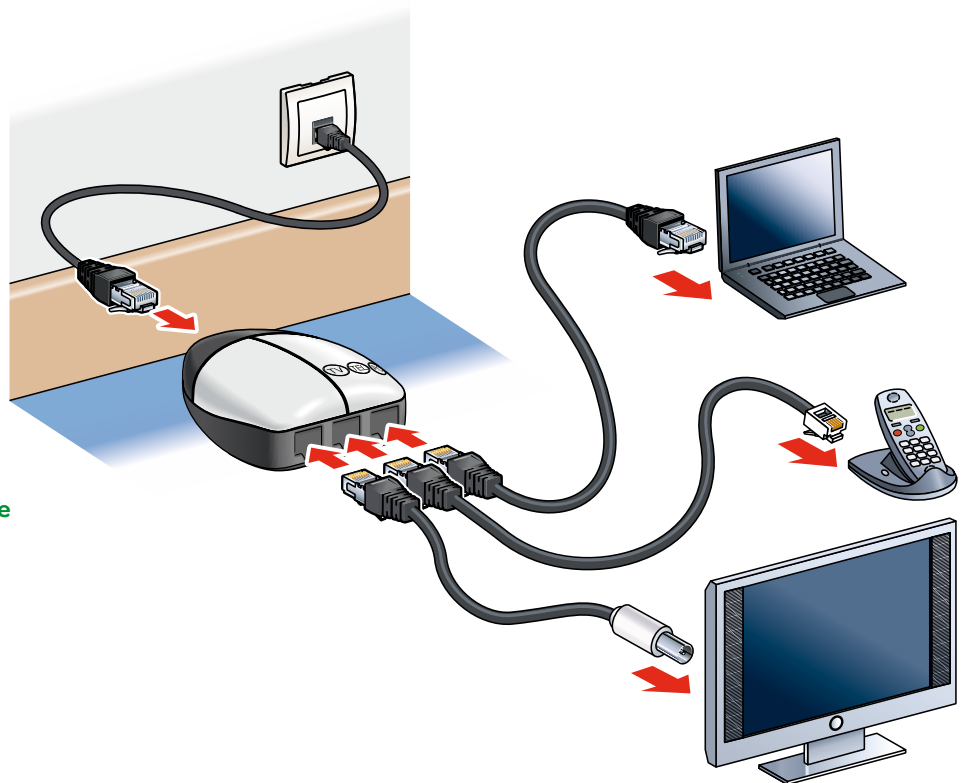
Once the core unit has been connected to the incoming phone, TV and data cables – all those signals are permanently transmitted to all outlets, in all rooms. Simply connect radios, TV sets, phones, fax machines and computers – using the correct lead. Alternatively use all 3 services simultaneously in one location using the newly released Triple Play Splitter.

Example of TV/RF input, ADSL broadband plus phone



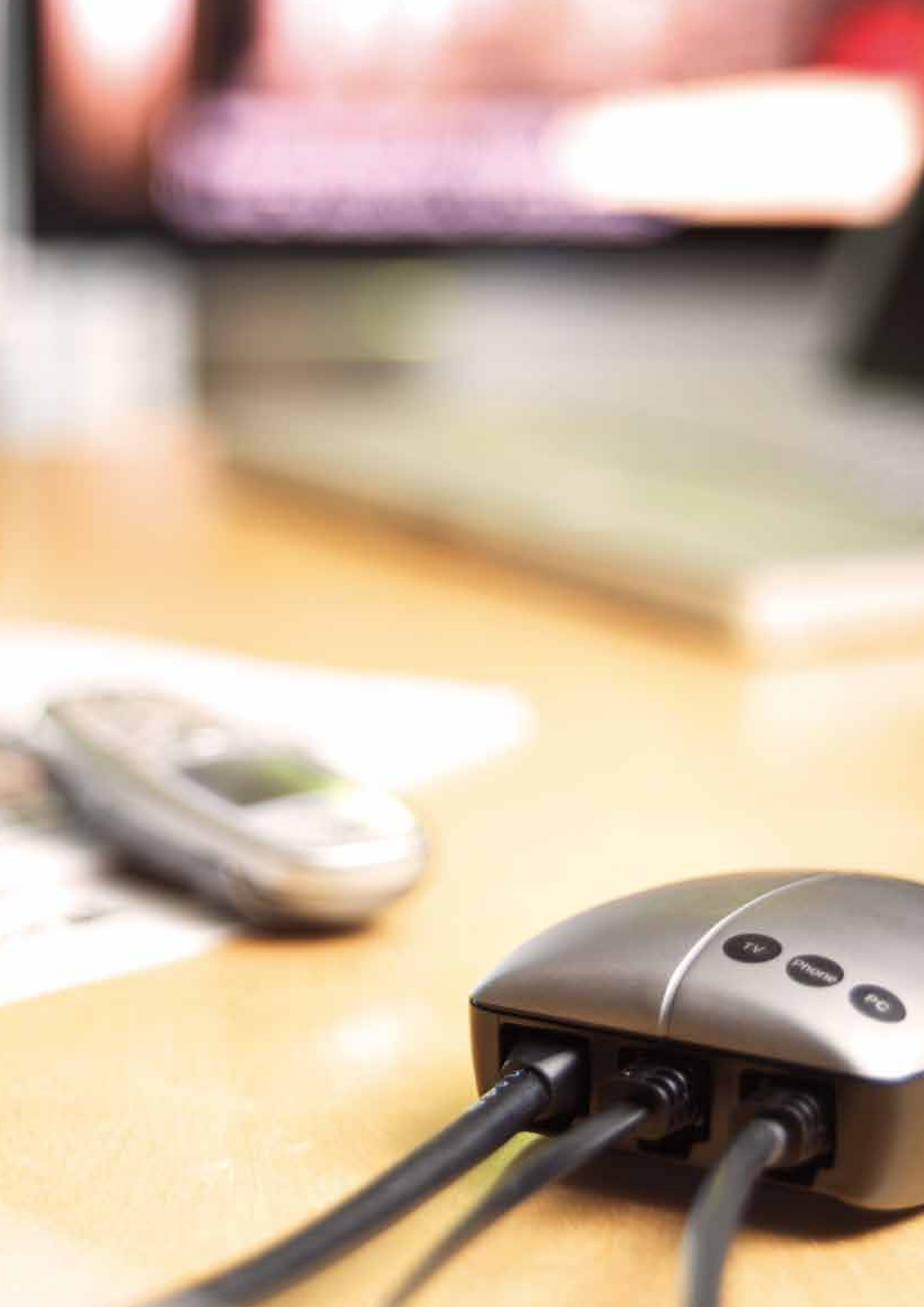
Input can include:

- TV/Radio aerial
- Cable TV
- Satellite TV (RF output)
- Data
- Broadband (ADSL/DSL)
- Telephone (two lines)



Output service using dedicated cable or triple play splitter can include (restricted services may apply):

- Analogue TV/Radio
- Digital TV/Radio aerial
- Cable TV
- Satellite TV (single channel)
- Data
- Broadband (ADSL/DSL)
- Telephone (selectable)



Nationwide support on one number -
call the Customer Information Centre on

0870 608 8 608

Fax 0870 608 8 606

Schneider Electric's local support

Schneider Electric is committed to supporting its customers at every stage of a project. Our 180 sales engineers, the largest dedicated sales force in the UK electrical industry, operate from 4 customer support centres.

Our sales engineers are skilled at assessing individual requirements and combined with the expert support of our product specialists, will develop the most effective and economical answer taking relevant regulations and standards fully into account.

To access the expertise of the Schneider Electric group, please call 0870 608 8 608. Each customer support centre includes facilities for demonstrations and training, and presentation rooms fully equipped with audio visual and video, providing excellent meeting facilities.

Merlin Gerin

Merlin Gerin is a world leader in the manufacture and supply of high, medium and low voltage products for the distribution, protection, control and management of electrical systems and is focused on the needs of both the commercial and industrial sectors. The newly launched VDI Network Solutions offer provides flexible, configurable ethernet systems for all communication needs.

Square D

Square D is a total quality organisation and its business is to put electricity to work productively and effectively, protecting people, buildings and equipment. Its low voltage electrical distribution equipment, systems and services are used extensively in residential and commercial applications.

Telemecanique

Telemecanique is a UK market leader and world expert in automation and control. It provides complete solutions, with it's range of components, Modicon range of high technology programmable controllers (PLCs), multiple fieldbus and ethernet communication networks, HMI, motion control systems, variable speed drives and communications software. In addition, it offers power distribution through prefabricated busbar trunking.

Local customer support centres

Scotland
Schneider Electric Ltd
Suites 1-6, Technology Building
James Watt Avenue
Scottish Enterprise Technology Park
East Kilbride
Glasgow G75 0QD

South West
Schneider Electric Ltd
PO Box 41
Langley Road
Chippenham
Wiltshire SN15 1JJ

North West
Schneider Electric Ltd
First Floor
Market House
Church Street
Wilmslow
Cheshire SK9 1AY

Ireland
Schneider Electric Ltd
Head office, Block a
Maynooth Business Campus
Maynooth, Co. Kildare
Tel: (01) 601 2200
Fax: (01) 601 2201
www.schneider-electric.ie

Product showrooms

Industrial systems and solutions showroom

Schneider Electric Ltd, University of Warwick Science Park, Sir William Lyons Road, Coventry CV4 7EZ

Building systems and solutions showroom

Schneider Electric Ltd, Stafford Park 5, Telford, Shropshire TF3 3BL

Energy and Infrastructure systems and solutions showroom

Schneider Electric Ltd, 123 Jack Lane, Hunslet, Leeds LS10 1BS

