

SCADAPack Vision

Operator interface terminal

Vision10





The SCADAPack™ Vision 10 is a compact, panel-mounted operator interface terminal for use with SCADAPack controllers or other Modbus PLCs, providing 2 lines of display text and 6 function keys. The Vision 10 is powered by the controller through the serial communication cable, and is easily configured to display process variables and permit modification of controller parameters.

Vision10

- Compact, fits 1/8 DIN panel
- High visibility LED backlit LCD display
- 2 lines x 16 characters
- 6 programmable function keys
- 2 programmable LED indicators
- User friendly, prompts to change data/presets
- Up to 32 alarms available
- Powered directly from SCADAPack
- cULus Class 1, Div 2
- IP 65 protection rating
- Programmable using Windows® based software

Product Data Sheet SCADAPack Vision

Specifications

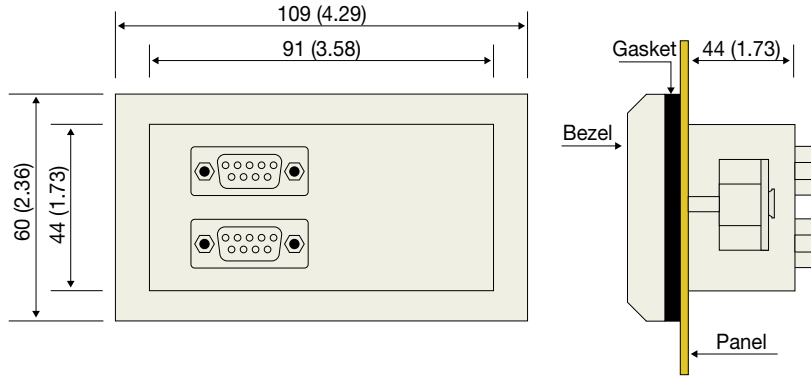
> Vision10	
Specifications	
Programming Package	Windows® Software Package included
Memory:	Vision10: EEPROM 24k Application Memory
Power	Vision10: Powered from SCADAPack Serial Port, 120 mA @ 5V
Enclosure Ratings	IP65
Approvals	UL Class 1, Div 2, Groups A, B, C and D; CE Mark
Operating Environment	<ul style="list-style-type: none"> • 0 °C to 60 °C • 32 °F to 140 °F • 90% humidity with no condensation
Weight	Vision10: 130g
Panel Fitting	2 clamps
Face Dimensions	Vision10: Front Bezel: 109 mm W x 60 mm H (4.29" x 2.36")
Rear Unit Dimensions	Portion that enters panel: Vision10: 91 mm W x 44 mm H x 44 mm D (3.58" x 1.73" x 1.73") V
Panel Cutout	Recommended Panel Cutout: Vision10: 1/8 DIN 92 mm W x 45 mm H (3.62" x 1.77")
Trusted Unit	Optional Trusted Access point-Trusted Remote operation
Display	
Display	Vision10: 2 Lines by 16 Characters
Character Height	4.36 mm (0.17")
Backlit	LED Backlight
Effective Display Area	Vision10: 60 mm x 13 mm (2.36 x 0.51")
Data Format	Vision10: HEX, BCD, FLOAT, BIN, Signed INT, Unsigned INT
Function Keys	
Function Keys	Vision10: 6 function keys can be programmed for global functions or uniquely for each screen
Numeric Entry	Vision10: Special screen uses arrow, clear and enter keys
Password Protection	Password can be activated for any screen
Communications	
COM Port 1	DB9 connector RS-232 Port for programming
COM Port 2	DB9 connector RS-232 Port for PLC communications
Special Functions	
Supports Multidropped PLCs	Each Vision can communicate to multiple PLC nodes via RS-485 network with RS-232/RS-485 converter (not included)
Bar Graph Display	Display numeric values as a bar graph
Flashing Display	Available
Power Saving Mode	Available when used with SCADAPack 300 series

Product Data Sheet SCADAPack Vision Model Code

> Vision10 Vision60	
Model	Description
TBUM297250	Vision10, LCD, 2 lines x 16 char., 6 programmable function keys, manual & Configuration CD
Model	Accessories
TBUM297459	Painted metal shield for Vision10, protects unit keypad from sun (UV radiation) and weather damage
TBUM327065	Configuration Software and Manual (PDF format) on CD for the Vision10 and Vision60
TBUM297237	Cable for connecting Vision to SCADAPack Smart RTU with RJ45 type port, RJ45 to DE9S (F), Null Modem, 5 ft. (1.52m)
TBUM297241	Cable for connecting Vision to SCADAPack Smart RTU with DE9S type port, DE9S (F) to DE9S, Null Modem, 6 ft. (1.82)
TBUM297469	Cable with inrush limiter – for hot connect of Vision to SCADAPack Smart RTU with RJ45 type port, RJ45 to DE9S (F)
TBUM297470	Cable with inrush limiter – for hot connect of Vision to SCADAPack Smart RTU with DE9S type port, DE9S (F) to DE9S (F)

Product Data Sheet SCADAPack Vision Dimensions

Unit: mm (inch)



This product features a one year warranty and is backed by Schneider Electric's commitment to Total Customer Care. The appropriate Vision Shield must accompany any Vision unit installed outdoors in order to maintain the product warranty. Schneider Electric manufactures a full range of high quality, high performance products for telemetry and SCADA.

To discuss how Schneider Electric can help solve your application challenge, please contact your local representative or call our toll free sales number below.

Schneider Electric

Telemetry & Remote SCADA Solutions

415 Legget Drive, Suite 101, Kanata, Ontario K2K 3R1 Canada

Direct Worldwide: 1 (613) 591-1943

Fax: 1 (613) 591-1022

Toll Free within North America: 1 (888) 267-2232

www.schneider-electric.com