

Trio K-Series

License-free serial data radio

KR900 | KR240 | KP900 | KP240 | KB900 | KB240



Product at a glance

Trio K-Series frequency-hopping, spread-spectrum data radios set the standard for reliable and secure serial data communication in the license-free 900 MHz and 2.4G Hz ISM bands. With unique features like LinkXtend™ for single radio store-and-forward, and ChannelShare™ collision-avoidance for support of spontaneous SCADA messages, K-Series radios provide the flexibility to allow implementation of even the most complex wireless solutions with virtually unlimited expansion capability.

The industrial strength K-Series is ideally suited for the most demanding Point-to-Multipoint, Point-to-Point, and SmartPath™ mesh-like wireless Telemetry and remote SCADA applications, and is available in a fully enclosed housing (KR) as well as small-format DIN rail-mountable (KP), board-only (KB), and OEM module (OM) variants.

Trio K-Series

License-free serial data radio

Specifications – Trio KR900 | KR240

Radio

Frequency Range	902...928 MHz or 2.4...2.48335 GHz, (region-specific versions available)
Frequency Accuracy	±2.5 ppm (900 MHz) ±3.0 ppm (2.4 GHz)
Radio Modes	Half Duplex, pseudo Full Duplex
Configuration	Configuration via embedded HTTP, HTTPS web interface & or Telnet/SSH/Serial console
Selectivity	Better than 50 dB
Spurious Response	Better than 70 dB
Tx Power	<ul style="list-style-type: none"> • 900 MHz : 0.01...1 W (+30 dBm) 0.5 dB steps configurable with over-temperature and high VSWR protection • 2.4 GHz : 0.01...500 mW (+27 dBm) 0.5 dB steps configurable with over-temperature protection
Modulation	T2 Level GFSK

Connections

Serial Data Port A	1 x RS232/RS485 RJ-45. 600...230,000 bps asynchronous
Serial Data Port B	1 x RS232 DB9 female DCE. 300...38,400 bps asynchronous
Serial Data Port Flow Control	Configurable hardware / 3-wire interface
Serial Data Port DCD Control	Configurable DCD operation : activated on Master synchronisation or from user data output
System Port	1 x RS232 RJ45: 19,200 bps, for configuration and diagnostics
Antenna	2 x TNC female bulkhead connectors for LinkXtend or separate TX/RX antennas
Power	2-pin locking, mating connector supplied
LED Display	Multimode Indicators for Pwr, Tx, Rx, Sync, TxD and RxD data LEDs (for both port A and B)

Modem

RF Channel Data Rate	32,000 bps, 64,000 bps, 128,000 bps or 256,000 bps
Bit Error Rate	Max sensitivity < 1×10^{-6} @ -108 dBm
Operating Modes	Master, remote, repeater or network-bridge
Network Types	Point-to-Point, Point-to-Multipoint, Point-to-Multipoint with Repeaters / Store and Forward, Mesh
Channelshare™	Trio's unique supervisory collision avoidance system
MultiStream™	Simultaneous data stream delivery allows for multiple vendor devices/protocols to be transported on the one radio network
SmartPath™	Technology for enhanced redundancy in network configuration (Mesh)
Firmware	Local and over-the-air flash-based firmware

Specifications continue on the next page

Trio K-Series

License-free serial data radio

Specifications – Trio KR900 | KR240 – cont'd

Security

Encryption*	256-bit AES
Password Protection	Password-protected configuration sessions
Trusted Unit	Optional Trusted Access Point-Trusted Remote operation

* Export restrictions may apply. Contact factory for details.

Diagnostics

Diagnostics Overview	<ul style="list-style-type: none"> • TVIEW+™ configuration, network management and diagnostic Windows GUI software • Spectrum Analyser and Channel Lockout facilities • Network-wide operation from any remote terminal • Non intrusive protocol – runs simultaneously with the application • Over-the-air re-configuration of user parameters. • Storage of data error and channel occupancy statistics • In-built Error Rate testing capabilities • Diagnostics parameters available: <ul style="list-style-type: none"> • Transmitter Power • Received Signal Strength • DC Supply Voltage • Received Frequency Error • Radio Temperature
----------------------	--

General

Operating Temperature Range	-40...+ 70 °C (-40...+158 °F)
Power Supply	10...30 Vdc (13.8 Vdc nominal)
Transmit Current	<ul style="list-style-type: none"> • 900 MHz: 500 mA nominal @ 1 W • 2.4 GHz: 800 mA nominal @ 0.5 W
Receive Current	<ul style="list-style-type: none"> • 900 MHz: <120 mA nominal @ 13.8 Vdc • 2.4GHz: <100 mA nominal @ 13.8 Vdc
Sleep Mode	Software Controlled
Housing & Dimensions	Rugged die-cast, 100 mm X 34 mm X 165 mm (4.0 in. X 1.4 in. X 6.5 in.)
Mounting	Integrated Mounting Holes or DIN Rail mounting (optional)
Weight	0.5 kg (1.1 lbs.)

Specifications continue on the next page

Trio K-Series

License-free serial data radio

Specifications – Trio KR900 | KR240 – cont'd

Approvals and Certifications

Europe (ETSI)	ETSI EN60950, EN50392 EN300328 EN301489 (2.4 GHz only)
FCC	FCC PART 15
Industry Canada	IC RSS210
Australia	ACMA AS/NZS 4268
Hazardous Locations	<ul style="list-style-type: none"> • 900 MHz : CSA Class I, Division II, Groups (A,B,C,D) for Hazardous Locations ANSI/UL equivalent) • 2.4 GHz : ATEX II 3G Ex nA IIC T4

Note: Not all product features are available in every mode of operation.

Disclaimer: Schneider Electric reserves the right to change product specifications. For more information visit www.se.com.

Trio K-Series

License-free serial data radio

Specifications – Trio KP900 | KP240 | KB900 | KB240

Radio

Frequency Range	902...928 MHz or 2.4...2.48335 GHz, (region-specific versions available)
Frequency Accuracy	±2.5 ppm (900 MHz) ±3.0 ppm (2.4 GHz)
Radio Modes	Half Duplex, pseudo Full Duplex
Configuration	All configuration via Windows™-based software
Selectivity	Better than 50 dB
Spurious Response	Better than 70 dB
Tx Power	<ul style="list-style-type: none"> • 900 MHz : 0.01...1 W (+30 dBm) 0.5 dB steps configurable with over-temperature and high VSWR protection • 2.4 GHz : 0.01...500 mW (+27 dBm) 0.5 dB steps configurable with over-temperature protection
Modulation	2 Level GFSK

Connections

Serial Data Port A	1 x RS232/RS485 RJ-45. 600...230,000 bps asynchronous
Serial Data Port B	1 x RS232 RJ-45. 300...38,400 bps asynchronous (shared with System Port)
Serial Data Port Flow Control	Configurable hardware (Serial Data Port A only) / 3-wire interface
Serial Data Port DCD Control	Configurable DCD operation : activated on Master synchronisation or from user data output
System Port	1 x RS232 RJ45: 19,200bps, for configuration and diagnostics (shared with Serial Data Port B)
Antenna	2 x SMA female bulkhead connectors for LinkXtend or separate TX/RX antennas
Power	2-pin locking, mating connector supplied
LED Display	Multimode Indicators for Pwr, Tx, Rx, Sync, TxD and RxD data LEDs (for both port A and B)

Modem

RF Channel Data Rate	32,000 bps, 64,000 bps, 128,000 bps or 256,000 bps
Bit Error Rate	Max sensitivity < 1×10^{-6} @ -108 dBm
Operating Modes	Master, remote, repeater or network-bridge
Network Types	Point-to-Point, Point-to-Multipoint, Point-to-Multipoint with Repeaters / Store and Forward, Mesh
Channelshare™	Trio's unique supervisory collision avoidance system
MultiStream™	Simultaneous data stream delivery allows for multiple vendor devices/protocols to be transported on the one radio network
SmartPath™	Technology for enhanced redundancy in network configuration (Mesh)
Firmware	Local and over-the-air flash-based firmware

Specifications continue on the next page

Trio K-Series

License-free serial data radio

Specifications – Trio KP900 | KP240 | KB900 | KB240

Security

Encryption*	256-bit AES
Password Protection	Password-protected configuration sessions
Trusted Unit	Optional Trusted Access Point-Trusted Remote operation

* Export restrictions may apply. Contact factory for details.

Diagnostics

Diagnostics Overview	<ul style="list-style-type: none"> • TVIEW+ configuration, network management and diagnostic Windows GUI software • Spectrum Analyser and Channel Lockout facilities • Network-wide operation from any remote terminal • Non intrusive protocol – runs simultaneously with the application • Over-the-air re-configuration of user parameters. • Storage of data error and channel occupancy statistics • In-built Error Rate testing capabilities • Diagnostics parameters available: <ul style="list-style-type: none"> • Transmitter Power • Received Signal Strength • DC Supply Voltage • Received Frequency Error • Radio Temperature
----------------------	---

General

Operating Temperature Range	-40...+ 70 °C (-40...+158 °F)
Power Supply	10...30 Vdc (13.8 Vdc nominal)
Transmit Current	<ul style="list-style-type: none"> • 900 MHz: 500 mA nominal @ 1 W • 2.4 GHz: 800 mA nominal @ 0.5 W
Receive Current	<ul style="list-style-type: none"> • 900 MHz: <110 mA nominal @ 13.8 Vdc • 2.4 GHz: <100mA nominal @ 13.8 Vdc
Sleep Mode	Software Controlled
Housing & Dimensions	<ul style="list-style-type: none"> • KPxxx : Corrosion resistant zinc plated steel with black enamel paint 130 mm X 39 mm X 56 mm (5.1 in. X 1.5 in. X 2.2 in.) • KBxxx : Bare board 129 mm X 31 mm X 55 mm (5.08 in. X 1.22 in. X 2.17 in.)
Mounting	Integrated Mounting Holes or DIN Rail mounting (optional)
Weight	0.5 kg (1.1 lbs.)

Specifications continue on the next page

Trio K-Series

License-free serial data radio

Specifications – Trio KP900 | KP240 | KB900 | KB240

Approvals and Certifications

IC	RSS 139 (RSS 210)
Hazardous Locations – North America	CSAUS, suitable for use in Class I, Division 2, Groups A, B, C and D Hazardous Locations (900MHz only), Temperature Code T4 per CSA Std C22.2 No. 213-M1987 / UL1604
Europe	ATEX: II 3G Ex nA IIC T4 per EN 60079-15, protection type n (Zone 2) (2.4GHZ 100mW ETSI version only)
Safety	CSA C22.2 No. 142-M1987 and UL916 in Canada and USA
EMC	FCC Part 15, Subpart B, Class A Verification EN61000-6-4: 2007 Electromagnetic Compatibility Generic Emission Standard Part2: Industrial Environment C-Tick compliance Registration number N15744
Immunity	EN61000-6-2: 2005 Electromagnetic Compatibility Generic Standards Immunity for Industrial Environments

Note: Not all product features are available in every mode of operation.

Disclaimer: Schneider Electric reserves the right to change product specifications. For more information visit www.se.com.

Trio K-Series

License-free serial data radio

Model Code KR900 | KR240 | KP900 | KP240 | KB900 | KB240

TBURKyxxx-aabbbcode represents a typical part number

Model	Model Type
TBURK	K-Series

Code	Select: Unit Type
R	Remote station with full enclosure for panel or DIN rail mounting (DIN rail mounting bracket sold separately)
P	Remote station with compact enclosure for panel or DIN rail mounting (DIN rail clips sold separately)
B	Remote station, board-only version for standoff mounting (standoffs not included)

Code	Select: Generic Frequency Band
900	900 MHz
240	2.4 GHz

Code	Select: Frequency
	900 MHz Frequency Band
00	License-free band 902...928 MHz (FCC/IC - Requires Encryption for Canada and USA)
01	License-free band 915...928 MHz (ACMA - Requires Encryption for Australia)
05	License-free band 921...928 MHz (New Zealand)
06	License-free band 902...907.5 MHz and 915...928 MHz (Brazil)
	2.4 GHz Frequency Band
00	License-free band 2.4 GHz, 500 mW (FCC/IC/AUS - Requires Encryption for North America & Australia)
01	License-free band 2.4 GHz, 100 mW (ETSI), ATEX (Europe)

Note: Other frequency bands available upon request.

Code	Select: RF Channel Data Rate & Bandwidth (Internal Modem)
001	32 Kbps to 256 Kbps

Code	Select: Encryption
D	No encryption (standard on all shipments outside of USA, Canada and Australia)
E	Encryption* (standard within USA, Canada and Australia)

Model Code continues on the next page

Trio K-Series

License-free serial data radio

Model Code cont'd

TBURKyxxx-aabbbcd represents a typical part number

Code	Select: Approvals
H	CSA Hazardous Environment Class 1, Div 2 (standard on KR900 KP900 KB900)
A	ATEX II 3G, Ex nA IIC T4 compliance (standard on KR240 KP240 KB240)

Code	Future Option
0	None

Example: TBURKR900-00001EH0 specifies Trio KR900 Remote Station, License-free band 902 to 928 MHz (FCC/IC), 32kbps to 256kbps, Encryption and CSA Hazardous Area Approved

Communications Standards:

FCC – Federal Communications Commission (USA)

IC – Industry Canada

ETSI – European Telecommunication Standards Institute

ACMA – Australian Communications Authority

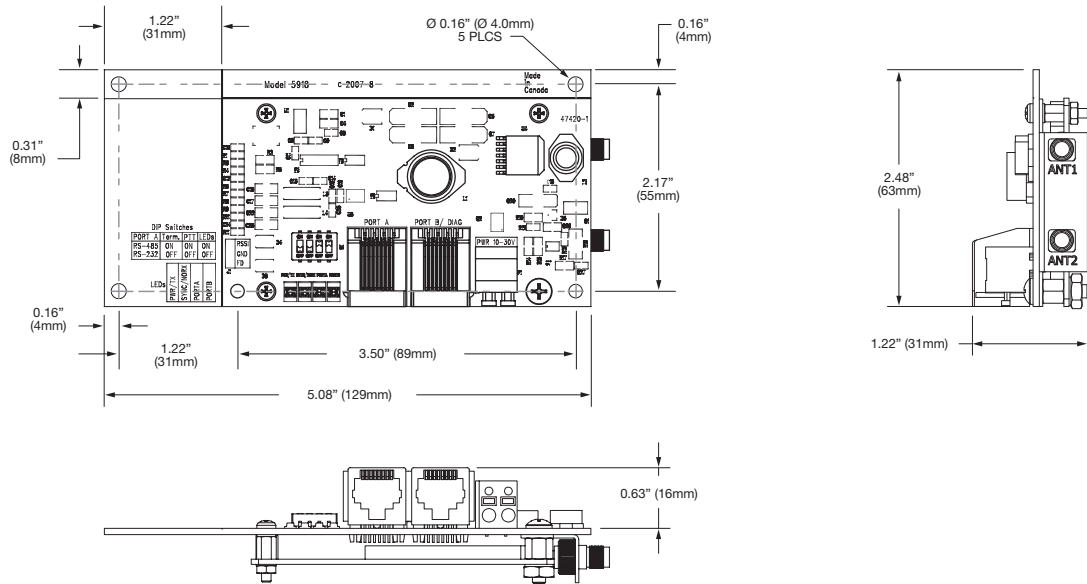
Contact your local sales office for accessories

* Export restrictions may apply. Contact factory for details.

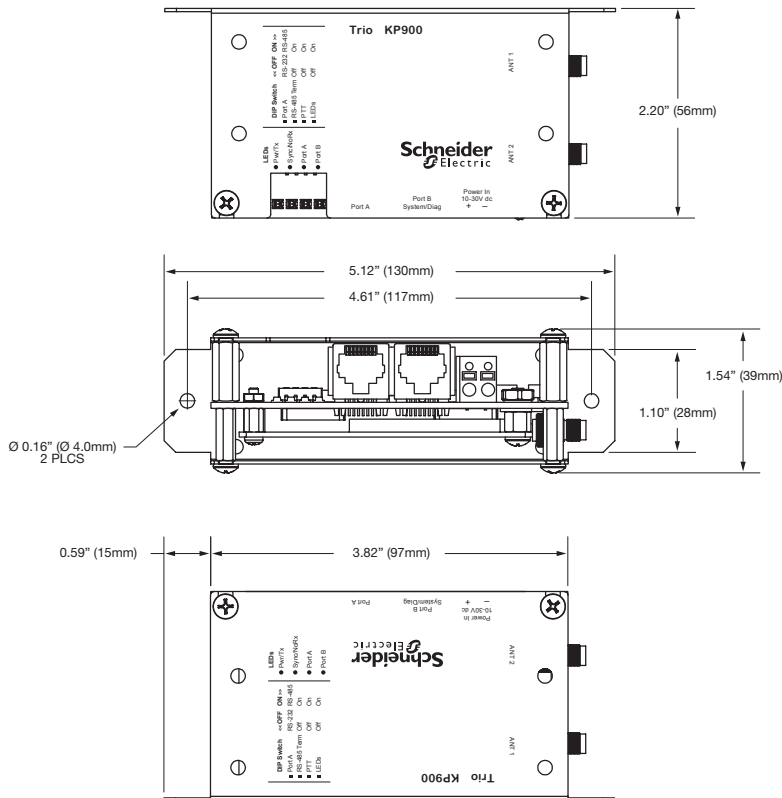
Trio K-Series

License-free serial data radio

KB900 | KB240 (board only)



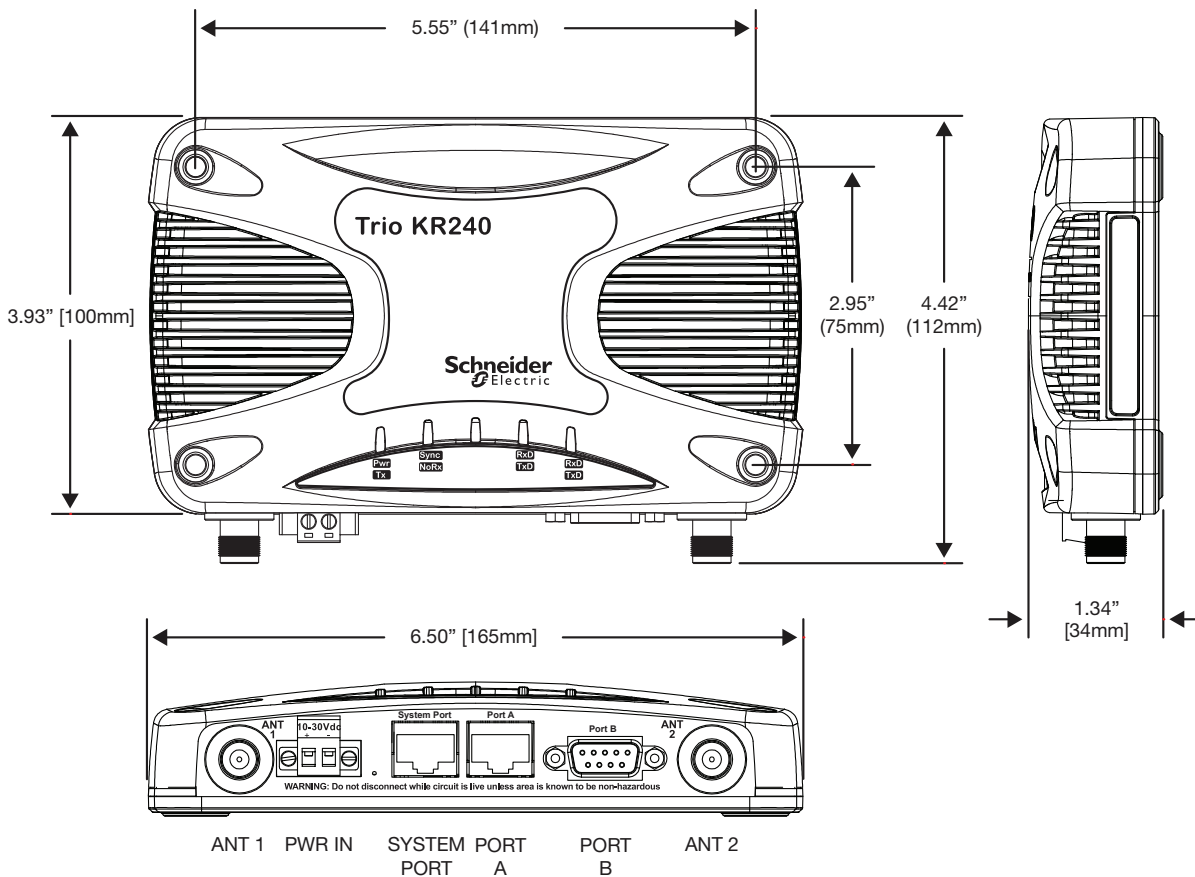
KP900 | KP240 (compact enclosure)



Trio K-Series

License-free serial data radio

KR900 | KR240



Footnote: This product is RoHS-compliant. Accessories sold separately.

Disclaimer: Not all product features are available in every mode of operation. Schneider Electric reserves the right to change product specifications. For more information visit www.se.com.

Schneider Electric Systems USA

Process Automation SCADA & Telemetry
 38 Neponset Avenue, Foxboro, Massachusetts 02035 USADirect
 Worldwide: +1 (613) 591-1943
 Email: telemetrysolutions@se.com
 Fax: +1 (613) 591-1022
 Toll Free within North America: +1 (888) 267-2232
www.se.com



Part Number TBULM08003-21 v19