

# Power Management Solutions for Data Centers

[ Power system intelligence and reliability for your data center infrastructure ]



**StruxureWare**

Decrease the number and duration of unplanned outages

Manage power capacity and redundancy

Improve effectiveness of maintenance activities

Improve power distribution efficiency

Support energy cost allocation and billing



## Tackling the daunting challenge of data center power management requires a specialized solution

Power management in data center facilities has become increasingly complex with explosive growth of IT load, variable IT rack densities, and virtualization, combined with lower capital budgets and the need to optimize existing infrastructure. These new pressures are challenging traditional power management systems and methodologies. Business as usual is not only unsustainable, it threatens the continuity of your core services.

Schneider Electric's power management systems featuring StruxureWare™ Power Monitoring Expert Data Center Edition and StruxureWare™ PowerSCADA Expert Data Center Edition are specifically designed to help you gain the in-depth situational awareness needed to tackle all the power and energy demands facing your power-critical facility.

Make the most of your energy<sup>sm</sup>

**Schneider Electric**

# Monitor, measure, and optimize data center performance throughout its lifecycle

## Decrease number and duration of unplanned outages

- Identify and track over-subscribed capacity (such as UPS, generators, etc)
- Identify redundancy compromised IT branch circuits
- Identify power equipment maintenance needs proactively (transformer temperature monitoring, UPS battery failures)
- Perform root cause analysis for power distribution disturbance events (partial and full outages) through sequence of events reporting to reduce probability of recurrence
- Quickly receive power system alarm notification

## Improve effectiveness of maintenance activities

- Safely optimize power loading of critical power distribution equipment without compromising reliability
- Rebalance phase loading to ensure full capacity circuit loading
- Diagnose power quality problems such as harmonics

## Manage power capacity and redundancy

- View real-time electrical distribution data for the complete maintenance cycle (prior, during, and after)

## Improve power distribution efficiency

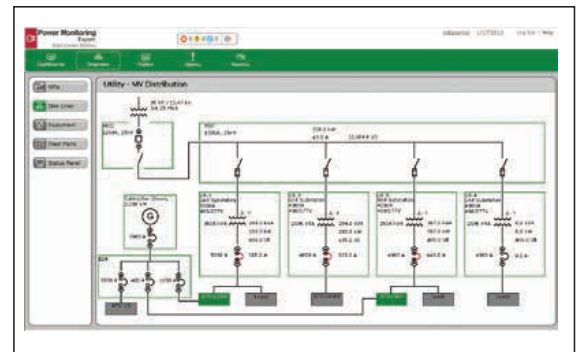
- Track power usage effectiveness (PUE) in real time and historical trends per Green Grid standards
- Quantify and track cost of power system losses (transformers and UPS)

## Support cost allocation and billing

- Manage the dynamic relationship between branch circuits, rack, and customers to accurately calculate rack and customer energy, peak power and current from raw branch circuit data
- Export energy billing data to accounting, financial, or billing systems

# \$500,000

average cost of a one hour power loss event at a data center, plus loss to brand reputation



Let us help you simultaneously maximize power reliability, availability, and quality, as well as improve operational and cost efficiency for your entire enterprise with a fully integrated power management solution.

Visit [www.schneider-electric-nextgen.com](http://www.schneider-electric-nextgen.com)

### Schneider Electric

295 Tech Park Drive  
LaVergne, TN 37086  
Tel: 615-287-3500

[www.schneider-electric.us](http://www.schneider-electric.us)

Document Number 1200BR1501

As standards, specifications and designs develop from time, always ask for confirmation of the information given in this publication.

©2015 Schneider Electric. All Rights Reserved. Schneider Electric, Make the most of your energy, PowerLogic and Square D are trademarks of Schneider Electric SE, its subsidiaries and affiliated companies. All other trademarks are the property of their respective owners.

