

# Refurbishment of MV & HV overcurrent protection relays

Retrofit of the existing KCGG122 & 142 relays by live MiCOM P123 relay

Schneider Electric provides you with a complete refurbishment solution for KCGG122 & 144 overcurrent protection. The MiCOM P123R provides a direct replacement or upgrade of KCGG122 and KCGG142 allowing more advanced functionality or communications for compatibility in existing or in future installations

## REPLACE EXISTING:

K Series KCGG122, KCGG142



### Technical characteristics

Case	20TE size flush mounting
Installation	Withdrawable case
Language	English
Communication	KBus / Courier
Power supply	24 / 125Vdc 48 / 250Vdc
Digital input supply	48Vdc only

## WITH NEW:

MiCOM P123R



### Technical characteristics

	20TE size flush mounting
Installation	Withdrawable case
Language	Multilanguage
Communication	KBus / Courier, DNP3, IEC60870-5-103
Power supply	24/250Vdc / 48/240Vac
Digital input supply	according to Power Supply option (above)

## FULL RETROFIT SOLUTION

### Solution description

#### Diagnostic

- Identification of your needs by our experts
- Verification that the MiCOM P123R can apply for the current implementation and wiring
- Proposition of retrofit solution, based on your needs and requirements (performance, continuity of operation, budget, etc)
- Feasibility study of alternative solution in cases where no direct solution exists in our catalogue

#### Fully Industrialised solution

- Proposed solution mounted and tested by our manufacturing plant, with the same process as MiCOM P123 (no modification of components or software)
- Preparation of all required accessories before delivery on site (cable glands, labels, pre cut metal sheets, front door if necessary)

### Implementation

#### Installation

- Scheduling of each retrofit phase with the customer, to avoid any electrical disturbance or outage
- Installation (isolation of active parts, mechanical and electrical work) and testing as per manufacturer procedures
- Implementation of the new setting files, including new automation, protection and monitoring features, provided due to updated technology.
- Re-energisation of the bay (circuit breaker LV compartment or protection panel) by the Schneider Electric engineer
- Update and delivery of modified wiring diagrams affected by the retrofit (option)
- Best processes and knowledge to minimise implementation time. Work on live systems possible in case of process or utility requirements

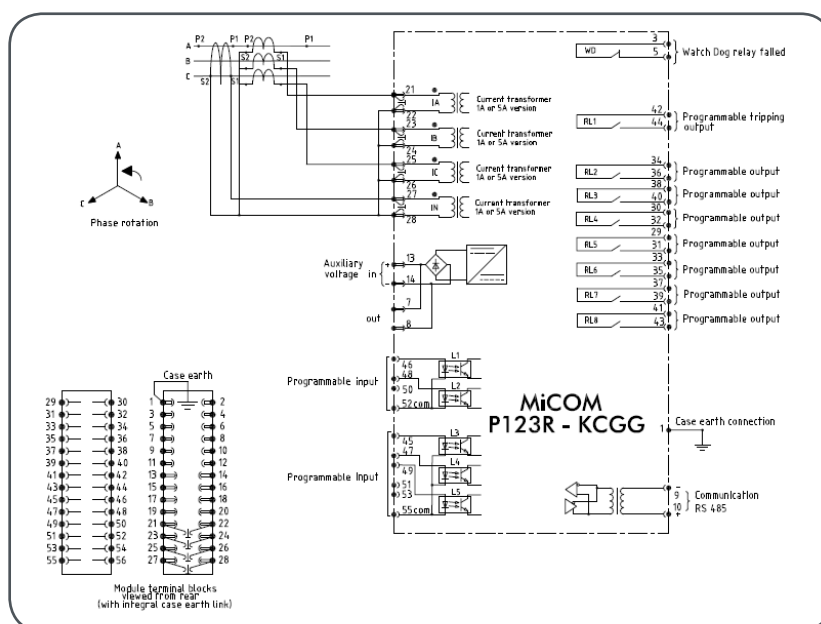
## SUSTAINABILITY

- Replacement of the protection relay and optimised maintenance
- Access to spare parts, new communication protocols and software facilities
- Schneider Electric technical support and guarantee.

## MANUFACTURER EXPERTISE

- Solution developed by our expert and application engineers
- Enhanced performance
- Retrofit process optimised
- Installation warranted by the manufacturer

## CONNECTION DIAGRAM



- The full internal connectivity between KCGG142 and P123R for analogue measurements, digital I/O and power supply is achieved fully internally in the P123R solution.
- Due to external connection layout, Rear port communications using KBus/Courier is the only wiring modification required

## Our energy at your service

- **Consultancy and audit**
- **Engineering solutions & optimisation**
- **Local support & assistance**
- **Maintenance & refurbishment**

### Schneider Electric Industries SAS

35, rue Joseph Monier  
 CS 30323  
 F - 92506 Rueil Malmaison Cedex (France)  
 Tel.: +33 (0) 1 41 29 70 00  
 RCS Nanterre 954 503 439  
 Capital social 896 313 776 €  
 www.schneider-electric.com

As standards, specifications and designs change from time to time, please ask for confirmation of the information given in this publication.

Design: Schneider Electric Industries SAS - Sonovision  
 Photos: Schneider Electric Industries SAS  
 Printed: Altavia Connexion - Made in France

This document has been printed on recycled paper.