

# PMX

## Cradle

Whether you wish to retrofit an old cubicle or manufacture a new one, the PMX cradle will bring you the benefits of Schneider Electric field proven technology.

The PMX Cradle is the core element used in the design and manufacture of withdrawable cubicles. Dedicated to integrators and OEM's, PMX will meet with all your expectations.

### Only one product for all applications

PMX cradle is compatible with all our mobile parts:

- Vacuum circuit breaker HVX
- SF<sup>6</sup> circuit breaker FPX
- Fused vacuum contactor CVX
- Fused SF<sup>6</sup> contactor GFX

The PMX can also be fitted with our metering unit (MTX) and our disconnecter (UTX), as well as a full making capacity earthing switch.

### Easy integration

Supplied with a self-supporting frame, including all interlocks and racking features, plug in spouts and automatic shutters, PMX includes all critical interfaces for easy integration into a cubicle, whether for refurbishment or new panel manufacturing. It is the ideal solution for switchboard retrofitting and will enable you to change a fixed configuration into a withdrawable one.

### Proven quality

An ISO 9001:2000-certified quality management system and ISO 4001-certified environmental management program govern the entire development and production process for compact substations and ensure a high-quality product.

### Safe operation

With its fully interlocked earthing switch and its robust mechanical interlocks, the PMX ensures maximum safety of both personnel and plant.

### A wide range of options

From 800 to 3,150 A, from 25 to 40 kA, the PMX is suitable for both SF<sup>6</sup> and vacuum switching. It can be fitted with a wide range of options: mobile parts and earthing switch interlocks, key locks electromagnetic blocking, electrical signalization, shutter interlocking.

### The guarantee of a major manufacturing company

As with all our products, the PMX is fully tested and inspected in our factory. By using the PMX cradle, you immediately get the benefit of Schneider Electric product reliability.

PM101000



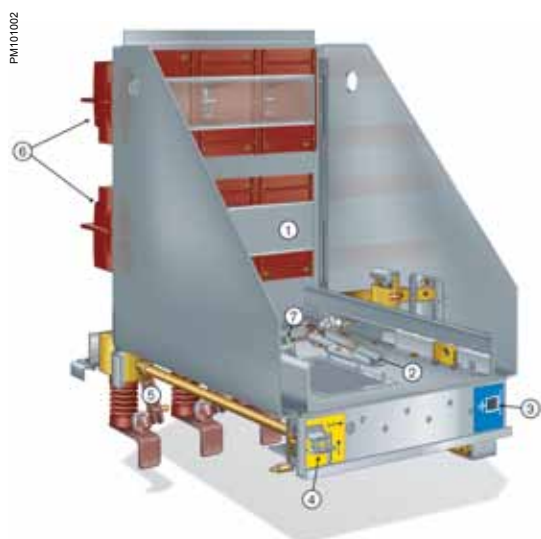
### CUSTOMER BENEFITS

- Cost effective solution
- Easy and user-friendly integration
- Vacuum and SF<sup>6</sup> technologies
- Compatible with all our mobile parts
- Wide range of options
- Visible and fully interlocked earthing switch

PMX figures and ratings Technical characteristics	Units	PM	PMX 12	PMX 17	PMX 24
Rated voltage	kV	7.2	12	17.5	24
Withstand voltage (1min)	kV (50 Hz)	--	28	38	50
Impulse withstand voltage	kV peak	--	75	95	125
Rated current	Up to A	400	3,150	3,150	2,500
Rated short time withstand current	Up to kA	40	40	40	31.5
Receiving cubicle width	mm	400	650 to 1,000	750 to 1,000	800 to 1,000
Compatible moving parts					
		CVX 7	FPX HVX CVX 12* GFX* MTX UTX	HVX MTX UTX	FPX HVX MTX UTX

\* CVX and GFX up to 400 A

PMX components



- 1 - Automatic metal shutter
- 2 - Interlock with withdrawable trolley
- 3 - Earthing switch indication
- 4 - Earthing switch operation
- 5 - Earthing switch
- 6 - Multifunctional bushings with fixed contacts
- 7 - Moving parts position indicator

Compatible mobile part range



PM101007 HVX: Vacuum circuit breaker



PM101001 FPX: SF6 circuit breaker



PM101003 CVX: Fused vacuum contactor



PM101004 GFX: Fused SF6 contactor



PM101005 MTX: Metering unit



PM101006 UTX: Disconnector