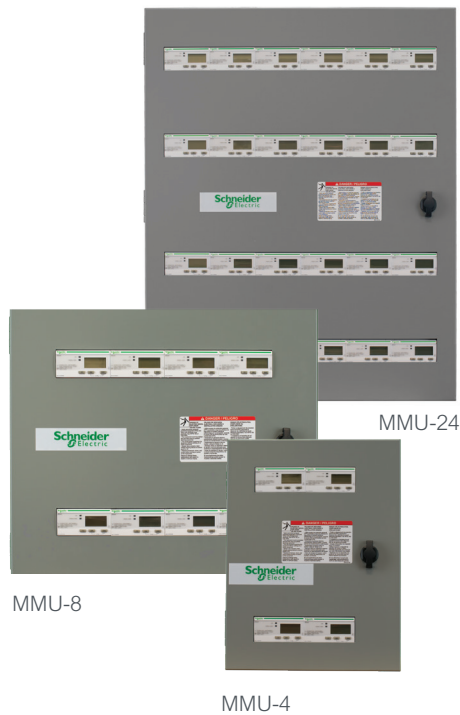


Multiple Meter Unit Enclosures for iEM3000 Series Energy Meters



Description

Schneider Electric's Multi-Meter Unit (MMU) enclosures are the ideal complement for the iEM3000 Series of energy meters. This compact solution saves wall space and is scalable for the exact number of meters required. Factory-assembled, pre-wired, and tested enclosures can speed installation, reduce the amount of field wiring, and save time troubleshooting.

MMU enclosures are available in three sizes:

- Small MMU enclosures with capacity for up to 4 iEM3000 meters.
- Medium size MMU enclosures with capacity for up to 8 iEM3000 meters, plus one gateway/data logger/energy server.
- Extra-large MMU enclosures with capacity for up to 24 iEM3000 meters, plus one gateway/data logger/energy server.

iEM3000 Series

Multi-meter unit enclosures and iEM3000 meters provide the highest quality, best value hardware for tenant sub-metering, and are designed for contractor convenience and simplicity.

Safety and security features

- Lockable, 16 gauge NEMA Type 1 metal enclosure for tamper-resistance
- Designed to current NEC and UL standards; UL/CUL 508A listed
- 600V Class CC rated industrial fuses
- Finger-safe industrial terminal blocks; equipped with hazard and safety labels

Construction features

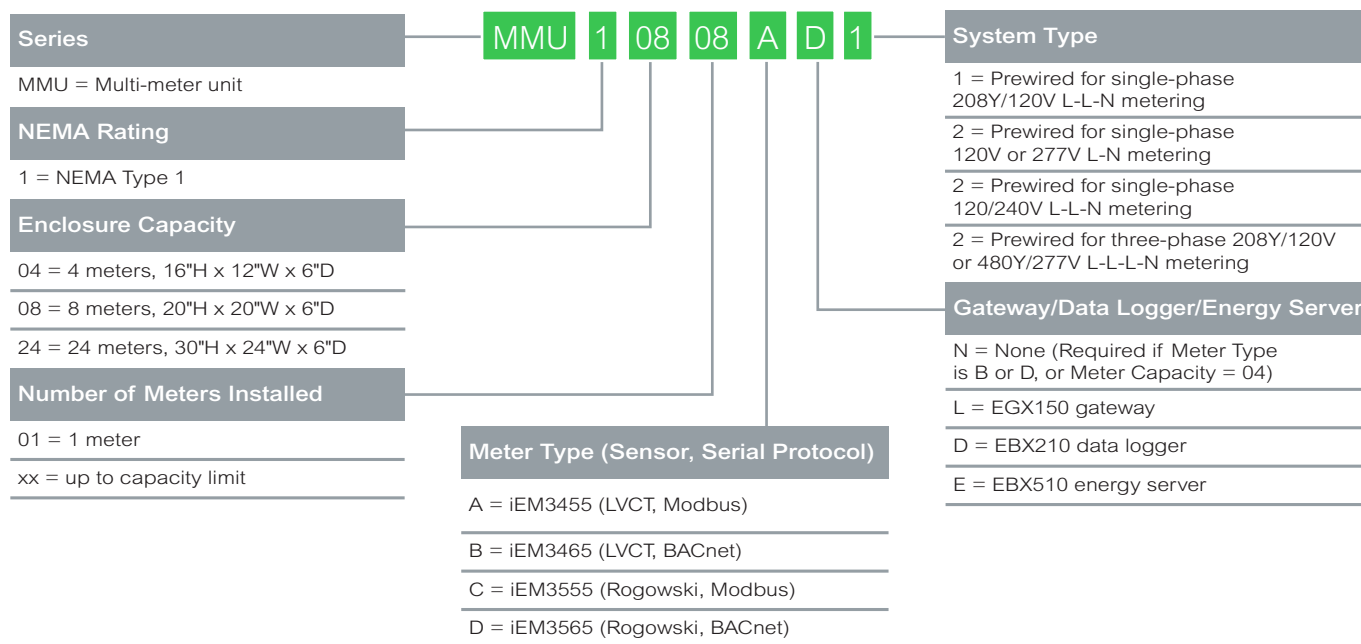
- Combination deadfront/door keeps meter displays visible
- Non-proprietary DIN rail format for flexibility and serviceability
- All connections points are easily accessible
- Four sides available for conduit entry
- Integrated gateway/data logger/energy server eliminates additional enclosures and associated field wiring; provides system connection to Ethernet
- Factory installed plates cover empty meter spaces

Wiring features

- No wiring to door, all wiring is on removable back pan
- Voltage and communications pre-wired to meters
- Color coded and labeled wiring allows easy field changes to accommodate "as-builts"
- Simple ordering, no configuration forms, predictable lead time and availability

iEM3000 energy meter features

- Same meter accommodates single or three-phase applications
- Compatible with safe, low voltage 0.333V or Rogowski coil "Rope" CTs
- Terminal covers for sealing and additional safety
- No interval data recorders required. Data connected meters provide access to measurements via Modbus or BACnet protocol
- Digital input for WAGES or tariff control
- Digital output for KW alarm or pulse-output communication capability

**Notes on Sensor Types:**

1. Meters use standard 0.333V LVCTs, or Rogowski coil CTs, order separately.
2. Contractor wires CTs directly to meter terminals

Notes on System Types:

Terminals with in-line fuses are provided for system voltage connection to L1, L2, L3, and N

Type = 1 Meters are factory prewired to pairs of terminals - Meter #1: L1 to V1 and L2 to V2, Meter #2: L2 to V1 and L3 to V2, Meter #3: L3 to V1 and L1 to V2, and so on.

Select for 3P 4W L-L-N 208Y/120V systems with 2 CTs:

- Contractor wires system voltage to L1, L2, L3, and N
- Contractor may move meter voltage wires to accommodate panel circuit phasing

Type = 2 Meters are factory prewired: L1 to V1, L2 to V2, L3 to V3

Select for 120V or 277V L-N metering, 1P 2W L-N with one CT

- Contractor wires system voltage to L1 and N

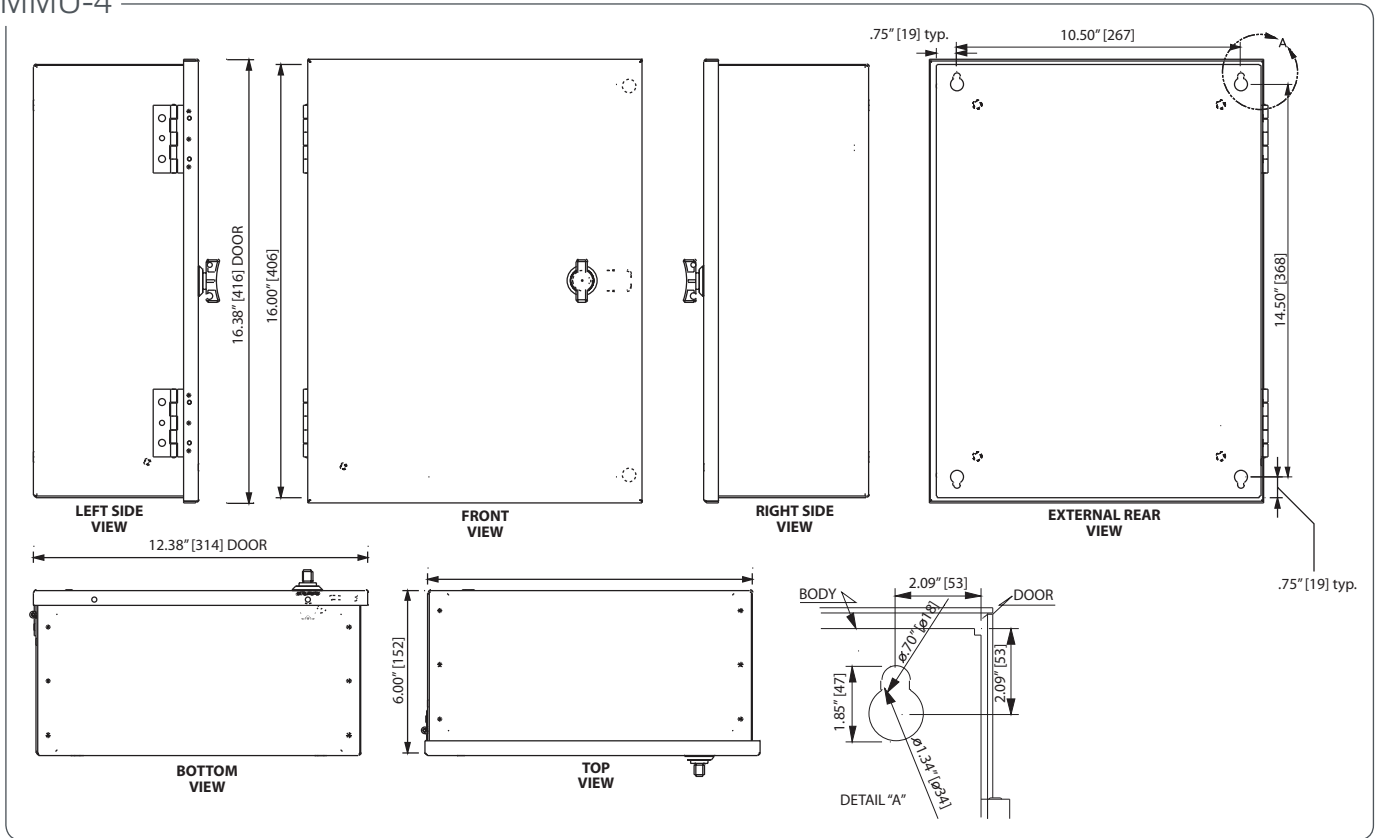
Select for 120/240V systems, 2P 3W L-L-N with two CTs

- Contractor wires system voltage to L1, L2 and N

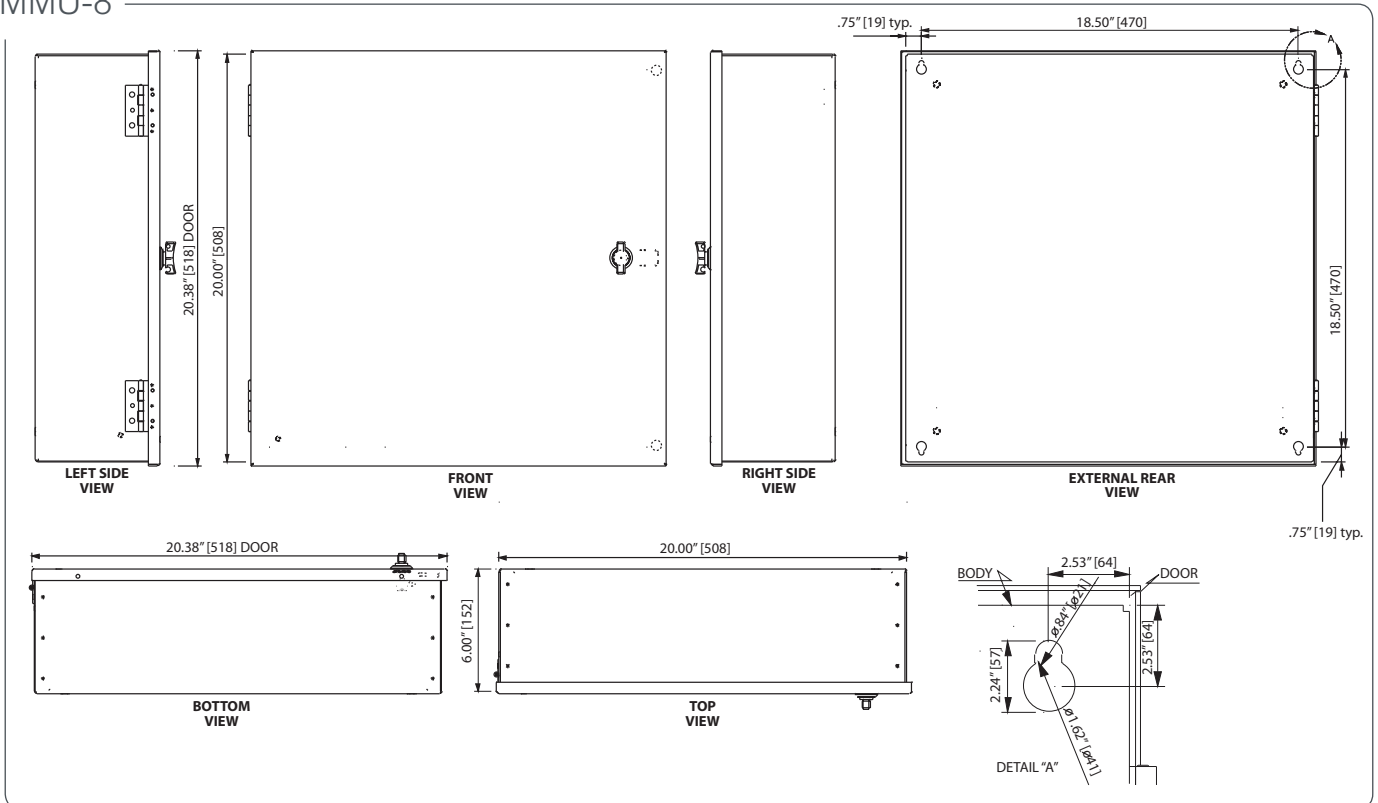
Select for 208Y/120V or 480Y/277V systems, 3P 4W L-L-L-N with 3 CTs

- Contractor wires system voltage to L1, L2, L3 and N

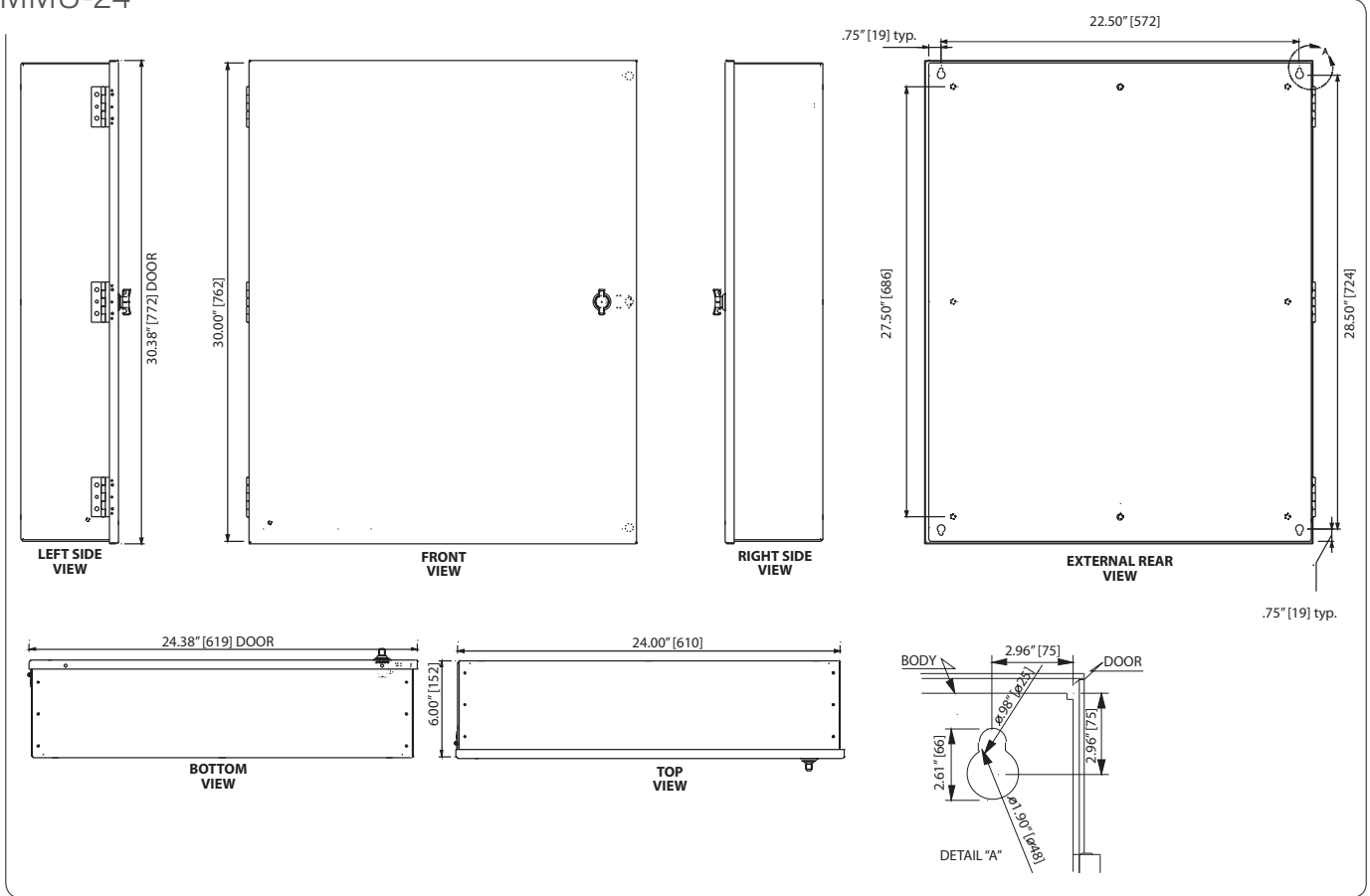
MMU-4



MMU-8



MMU-24



Schneider Electric
 6700 Tower Circle
 Franklin, TN 37067
 1-888-797-6468
 www.schneider-electric.us

Life Is On

