

# NEW! Uniflair LE Air Cooled DX 30T Unit LDAV2722G

The Uniflair LE model LDAV2722G is the newest perimeter cooling solution from Schneider Electric and the optimal choice for colo and enterprise customers. The large capacity and energy efficient design makes this new perimeter DX unit the perfect for next generation data centers.

## Control And Security

- EcoStruxure™ ready
- TLS 1.2 Security
- Touch screen color display
- Integrated network management card
- Modbus/BACNet/SNMP/Web
- Preventative maintenance alerts and alarm display
- Realtime capacity and power monitoring
- Group control

## Service and Engineering Support

- Industry leading warranty
- 1 Year parts, labor and travel
- 24x7 Technical support
- Custom engineering capabilities

## Variable airflow capable

- Active Flow Control (AFC) compatible
- EC variable speed fans
- Downflow air discharge

## Efficient compressors and control

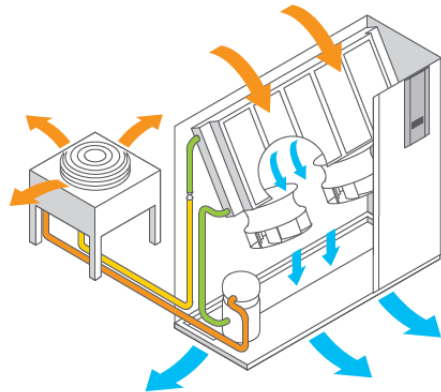
- Scroll compressor with Intermediate Discharge Valves
- Fixed speed, dual circuited
- Improved efficiency at part loads
- Electronic Expansion Valve
- Faster response to temperature change

## Outdoor Condenser

- Vertical or horizontal installation
- -40C ambient operation
- EC fans for low noise and efficiency

## Additional/Optional features

- Reheat and humidification
- Dual power supplies
- 65k SCCR rating
- Ultra capacitor for fast restart
- Condensate pump
- Side panel coil inspection opening
- Direct Air Economization option
- Motorized isolation damper



SKU	LDAV2722G
Cooling type	Air cooled
Refrigerant	R-410A
Net Total Cap @86F, 30%RH	100.5kW
Net Sensible Cap @86F, 30%RH	100.5kW
Air flow (CFM)	15300
Electrical Power	460V, 3ph, 60Hz
Dimension (H x W x D)	85 x 105 x 36 (in)

Life Is On

**Schneider**  
Electric