



# Galaxy 300

3:3-phase: 10/15/20/30/40/60/80 kVA

3:1-phase: 10/15/20/30 kVA

Effective and reliable three-phase power protection designed to prevent downtime and data loss for mission-critical applications.



## Galaxy 300 — Reliability you can trust.

Galaxy™ 300 provides an effective and reliable solution for protecting small server rooms, commercial buildings, and technical facilities. The online double-conversion topology supplies true isolation between input and output with zero transfer time. Available with integrated batteries or external batteries with robust charger, the UPS includes an internal mechanical bypass and simplified parallel capability for higher levels of availability. Remote and local monitoring/management capability is achieved through a built-in communication card with a simple Web/SNMP interface and a user-friendly display available in 18 languages. Both 3:3- and 3:1-phase configurations are available for convenient power distribution. Serviceability is greatly enhanced by front access for ease of maintenance in confined spaces. The Galaxy 300 has been ruggedized with conformance-coated boards and dust filter to better withstand harsh environments. All of these features, along with the included start-up and on-site warranty, make the Galaxy 300 the easiest UPS in its class to install, manage, and maintain.

[schneider-electric.com/en/product-range/61895-mge-galaxy-300](https://schneider-electric.com/en/product-range/61895-mge-galaxy-300)

Life Is On

**Schneider**  
Electric

# Features and benefits

## Galaxy 300

### Availability

**Dual mains input** — Allows standard installation of one or two independent power sources.

**Automatic internal bypass** — Built-in 100 percent rated bypass static switch prevents interruption by allowing load transfer to utility power during heavy overloads.

**Parallel 1+1 for redundancy** — Connected equipment can be powered with two UPS units in parallel to increase system redundancy.

**Ruggedized design** — With conformance-coated boards and included dust filter to better withstand harsh environments.

**Integrated battery backup** — Provides higher level of availability with up to 30 minutes of runtime.

**A robust charger** — Provides all-in-one solution for the most common runtime requirements.

### Serviceability

**Manual maintenance bypass** — Easily accessible maintenance bypass allows complete isolation of each part of the system, facilitating maintenance operations without power interruption.

**Front-access servicing** — Push-open door and slide-out boards simplify installation and maintenance while minimizing space requirements.

**World-class service organization** — With worldwide support and multiple levels of after-sales services, our package or individual on-site service options are structured for you to choose what Schneider Electric can do for you.

## Typical Applications

- Small and medium businesses
- Commercial buildings: shop floors, hotels, convention centers
- Transportation and infrastructures
- Telecommunication
- Technical facilities

### Economy

**Power factor corrected input** — Prevents the need for oversizing cables, circuit breakers, and generator.

**Temperature-compensated battery charging** — Sensors monitor battery temperature and adjust charger voltage to prevent premature aging and extend battery lifetime.

**Reduced footprint** — Compact wide or narrow tower makes best use of available space.

### Simplified Installation

**Easy to install** — Wheeled unit rolls into place, and all wiring connections are easily identifiable for time-saving installation.

**Start-up wizard** — Step-by-step guidance and intuitive menu screens for easy set-up and system navigation.

### Manageability

**Built-in management card for SNMP** — Remote and local monitoring and management capabilities with simple Web/SNMP interface.

**User-friendly graphical interface** — Easy-to-read LCD provides mimic diagrams, audible alarms, and multilanguage display, simplifying operation.

## Runtime Options

- UPS for integrated batteries: supplied with shelves and battery breakers to easily integrate batteries in the UPS cabinet (bottom) — typically for runtimes up to 30 minutes
- UPS with robust charger for external batteries: to be used with batteries on rack or in external cabinet — for runtimes up to four-plus hours

# Galaxy 300

## Economy

**Optimized features** — The Galaxy 300 is designed to provide optimal performance. The most in-demand features have been carefully selected to propose the right solution for predictable and reliable power protection, offering the benefits of a true double-conversion online architecture.

**Reduced footprint** — Narrow and wide tower options optimize the system footprint based on kVA power requirements.

**Simplified maintenance** — A full maintenance bypass with front access permits complete isolation of each part of the system and facilitates maintenance operations without power interruption.

## Availability

**Wide input voltage range** — For harsh electrical environments.

**Double-conversion online topology** — Guarantees a consistently high level of power quality.

**Parallel capability** — Power the connected equipment with two UPS units in parallel to increase system redundancy.

**Dual feed input** — Allows standard installation of one or two independent power sources.

**Integrated transformer** — Can be configured on-site as either bypass or output transformer for full galvanic isolation and increased load protection.

## Options

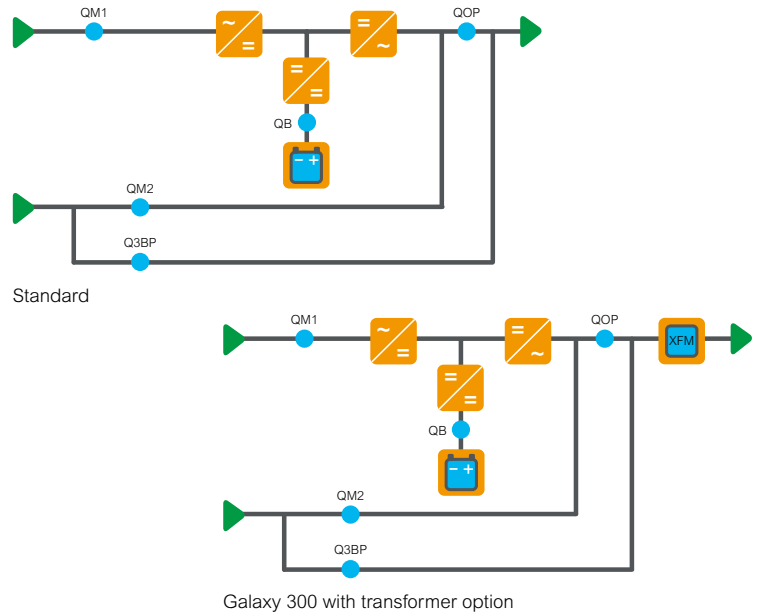
**External battery cabinet** — For additional runtime. Supplied with breakers and temperature sensors.

**Parallel kit** — For 1+1 parallel redundancy. (G3HTPARKITS)

**Empty cabinet for third-party batteries or transformers** — Line up and match cabinet for third-party batteries and transformers.

### Communication cards

- Network Management Card supplied with the product (AP9630) for Web/SNMP functions, and modbus TCP with RJ45 interface
- Optional card (AP9635) for additional features such as modbus/Jbus over RS485, Teleservice, and environmental sensors: Temperature (AP9335T), Temperature and Humidity (AP9335TH), Dry contact I/O (AP9810)



# Technical specifications

Rated power (kVA/kW)	10/8	15/12	20/16	30/24	40/32	60/54*	80/72*
<b>Normal AC supply input</b>							
Input voltage (V)	380/400/415 V (Three-phase + Neutral)						
Frequency (Hz)	45 – 65 Hz						
Input power factor	Up to 0.99 at >50% load						
THDI	<5% at full load				<3.5% at full load		
Input voltage tolerance utility operation	340 V to 477 V at full load (-15% to +20% at 400 V)						
Dual mains input	Yes						
<b>Output</b>							
Nominal output voltage (V)	3:1 – 220/230/240 V N/A				N/A		
	3:3 – 380/400/415 V (Three-phase + Neutral)						
Efficiency at full load (online)	Up to 93.5%						
Output frequency	Mains synchronized in normal operation 50 Hz or 60 Hz + 0.1% free-running						
Overload capacity utility operation	125% for 2 minutes, 150% for 10 seconds				125% for 10 minutes, 150% for 1 minute		
Output voltage tolerance	+2% static, +5% at 100% load step						
<b>Communication and management</b>							
Communication interface	Network management card (AP9630)						
Control panel	Multifunction LCD, status, and display console						
<b>Dimensions and weight</b>							
UPS dimensions (HxWxD) – 3:1	1300x400x950 mm		1300x500x950 mm		N/A		
UPS dimensions (HxWxD) – 3:3	1300x400x950 mm		1300x500x950 mm		1900x700x950 mm		
UPS weight (kg) without batteries (3:1/3:3)	150/135 kg	190/135 kg		203 kg	375 kg		
UPS maximum weight (kg) with integrated batteries	620 kg				735 kg		
Battery cabinet dimensions (HxWxD)	1300x660x850 mm				1896x712x842 mm		
Battery cabinet — minimum weight	105 kg				145 kg		
Battery cabinet — maximum weight	610 kg				1040 kg		
<b>Regulatory</b>							
Safety	IEC/EN62040-1-1						
EMC/EMI/RFI	IEC 62040-2						
Approvals	CE TUV						
<b>Environmental</b>							
Operating temperature	0 °C to 35 °C				0 °C to 40 °C		
Relative humidity	0 to 90% noncondensing						
Operating elevation	0 to 1,000 m at 100% load						
Max. audible noise at 1m from unit	54 dBA at 100% load		53 dBA at 100% load		65 dBA at 100% load		
Protection class	IP20 (IP21 Transformer version)						

\* UPS operating under 25 degree °C

## Schneider Electric

132 Fairgrounds Road  
West Kingston, RI 02892 USA  
Phone: + 01 800-800-4272  
Fax: + 01 401-789-3710

[www.schneider-electric.com](http://www.schneider-electric.com)

October 2015  
Document Number 998-3863\_GMA-US\_C

©2015 Schneider Electric. All Rights Reserved.  
All trademarks are owned by Schneider Electric Industries SAS or its affiliated companies.  
998-3863\_GMA-US\_C

Life Is On

**Schneider**  
Electric