

Specialty Machinery

In-Bay Automatic/Self
Serve Car Wash Solutions



Merlin Gerin
Square D
Telemecanique

Schneider
 **Electric**
Building a New Electric World



CAR WASH

Product Solutions

Schneider Electric product solutions for automation, motor control, sensing and power can be used throughout your car wash design. Our application capabilities, as a complete solutions provider, are identified on the in-bay automatic/self serve CAD drawing.

Our solutions include a broad range of products that can meet and exceed your application requirements.

Automation

With its Transparent Ready® line, Schneider Electric has applied market standards to its control system architectures, making data exchange even easier. Smart and simple to use, the Telemecanique® software ensures maximum efficiency in terms of car wash application development and maintenance, while our high-performance PLCs help to achieve optimum installation availability and productivity.

Motor Control

The Schneider Electric line of Altivar® variable frequency drives and TeSys® contactors offers a range of control, from the simplest forms of motor speed and control to the most complex VFD applications with network connectivity.

Sensing

Whether it's ultrasonic, photoelectric, proximity sensors or pressure switches, Schneider Electric's sensor competency center has the expertise to solve your sensing challenge with the right solution the first time, customized to your specific car wash application.

Power

Schneider Electric power management products are the global leader in providing enterprise energy reduction and reliability solutions. For over a decade, our systems have provided savings through reduced utility costs, effective power equipment management, increased power system reliability and downtime avoidance.

Interconnectivity and Monitoring

Transparent Ready® products from Schneider Electric feature an Ethernet connection and embedded web server, designed to organize valuable information for easy access from any PC on your network, using just a standard web browser.

Schneider Electric is a global producer of electric distribution, automation and control equipment, manufacturing products under the Square D®, Telemecanique® and Merlin Gerin® brand names. For over 100 years Schneider Electric has been a pioneer in manufacturing innovative products that are tailored to meet the demanding specifications of in-bay car wash OEMs and their customers. Backed by a global organization with one of the strongest distributor networks in the U.S. and around the world, you can count on Schneider Electric to help you keep your business running smoothly and efficiently.

Today's car wash applications clean vehicles more effectively and efficiently than ever before. Customer demands drive the need for thorough and efficient processes within your operation. These applications require reliable, flexible and scalable components to meet the harsh environmental requirements to effectively clean the customer's vehicle.

Downtime is expensive. Our innovative products can be easily integrated into car wash OEM system designs to improve all levels of performance and operation. The demands from customers for easy-to-maintain designs that can be quickly and cost-effectively updated are of primary concern, and in the age of automation, you need a supplier who can provide solutions to standalone, operatorless structures that require little maintenance. Schneider Electric can provide you with automation, control and power solutions to create an operation to meet those demands.

Availability of replacement parts can also be a concern. With vendors manufacturing components throughout the world and the integration challenge that it presents to system designers, you can count on Schneider Electric to provide a standardized, integrated approach to coordinating all system components from automation to power.

Consider Schneider Electric as a key provider of in-bay car wash application equipment in your next design. With a global support network for sales, services and products, you can count on us to help you support your equipment around the country or around the world.



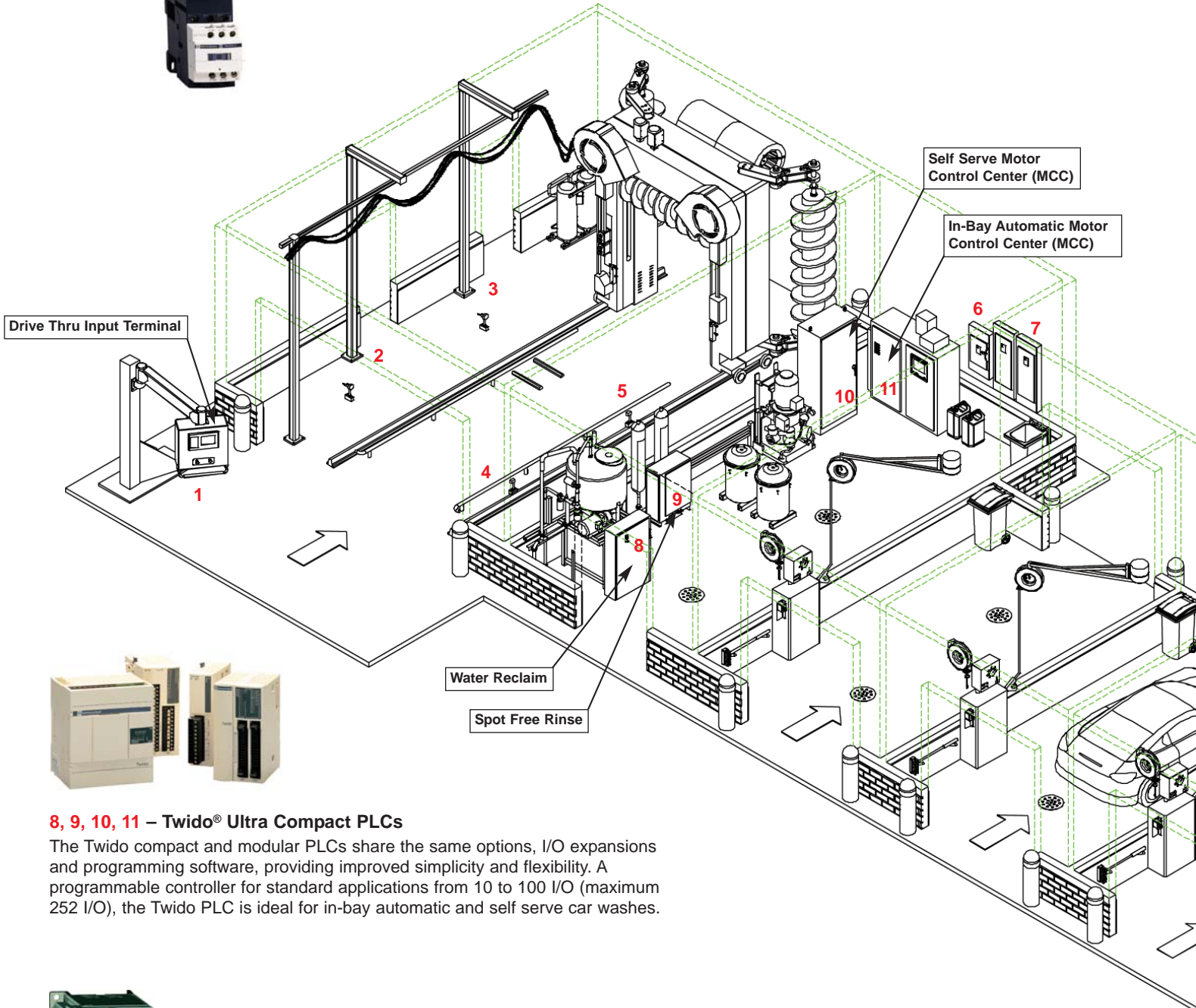


8, 9, 10, 11 – TeSys® U-Line Motor Starters

TeSys U-Line motor starters provide motor control for choices ranging from a basic motor starter with solid-state thermal overload protection to a sophisticated motor controller that communicates on networks and includes programmable motor protection. Using a plug-in modular design, the U-Line starters allow maximum flexibility in motor control.

8, 9, 10, 11 – TeSys D-Line Contactors

TeSys D-Line contactor from 9 A to 150 A represents the latest in motor control technology. This contactor line provides a small foot print, saving valuable panel space. In fact, the 9-32 amp contactors are only 45mm wide and over 25% smaller in depth than most contactors. In addition, DC low consumption coils can cut energy demand by up to 75%, and the unique Quickfit technology can reduce installation time by up to 50%.



8, 9, 10, 11 – Twido® Ultra Compact PLCs

The Twido compact and modular PLCs share the same options, I/O expansions and programming software, providing improved simplicity and flexibility. A programmable controller for standard applications from 10 to 100 I/O (maximum 252 I/O), the Twido PLC is ideal for in-bay automatic and self serve car washes.



8, 9, 10, 11 – Altivar Variable Frequency Drives

Altivar variable frequency drives (VFDs) are ideal for controlling dryers, pumps and compressor motors. For energy savings, increased motor life and more consistent delivery of chemicals, VFDs from Schneider Electric can get the job done.



8, 9, 10, 11 – 9070T Control Transformers

Square D 9070T control transformers are used to step down the supply voltage to control voltage and are available from 50 VA to 5000 VA.



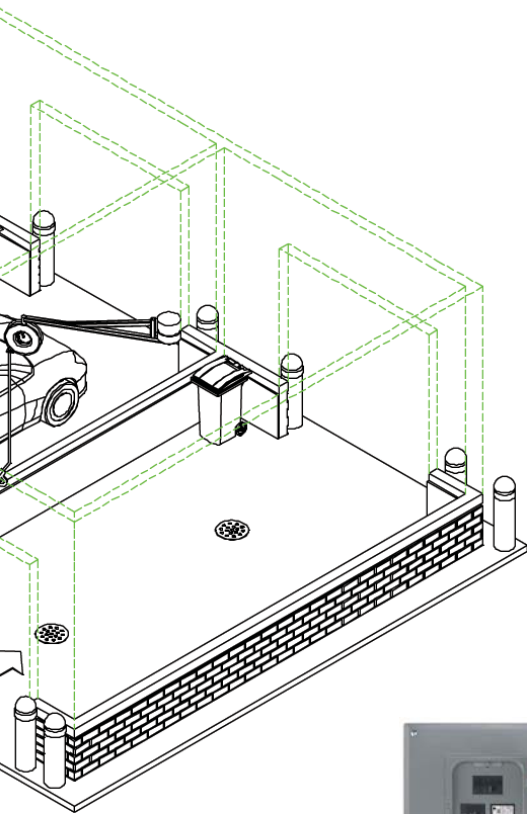
10, 11 – Advantys Distributed I/O

In addition to simplifying wiring, Advantys distributed I/O solutions can be managed via a bus or communication network. Whether open or modular, this wiring platform solution is ideal for car wash applications



8, 9, 10, 11 – Phaseo Power Supplies

Available in single or three phase, Phaseo power supplies are designed to provide DC voltage for control circuits. These power supplies also feature a compact size, are din rail mountable and are accurate to 3% regardless of load or type of supply voltage.



7 – QO® Load Centers

1, 8, 9, 10, 11 – Pilot Devices

Telemecanique, is the world leader for pilot devices offering its range of push buttons, pilot lights and selector switches for car wash applications. Unequaled, and of the highest quality, it is the largest offering on the market.



8, 9, 10, 11 – Multi 9 Miniature Circuit Breakers

Merlin Gerin Multi 9 miniature circuit breakers are ideal for car wash applications that require branch circuit protection (UL 489). Their use avoids potential code violation that can occur with misuse of supplementary protectors (UL 1077). They are also ideal for replacement of fuses in car wash equipment.



1, 8, 9, 10, 11 – Magelis HMIs

Schneider Electric offers a complete range of industrial PCs to meet your application needs. With its compact size, ease of installation and setup, and openness to web technologies, this high-performance product line has been designed with the needs of car washes in mind.



2, 3, 4, 5 – Sensor Technology

Schneider Electric features a comprehensive line of products, including ultrasonic sensors for creating vehicle profiling and photoelectric sensors for entry/exit vehicle detection. Schneider Electric offers programmable pressure switches for monitoring and controlling wash hydraulics and pneumatics.



6 – Safety Switches

Square D safety switches are designed for commercial and industrial use applications where maximum performance and continuity of service is vital. Safety switches are required by the NEC as a disconnect within sight of a motor. Available in NEMA Type 1, 3R, 4, 4X, 5 and 12 enclosures Square D safety switches can be located in the wash bay area.



8, 9, 10, 11 – Zelio® Logic Relays

Telemecanique Zelio logic relays are programmable and designed specifically for small control systems. The Zelio logic relay is ideal for self serve, water reclaim and spot free rinse systems where it can be used to replace relays, timers and counters.



Schneider Electric offers OEMs national and global support to provide a complete solutions package. Long after the equipment is installed, our customer and field service organizations can help you maintain the high level of service you demand on your equipment.



***Merlin Gerin**[®] circuit protection products are known globally for their safe, scaleable unique design to meet the worldwide standards for electrically compliant solutions.*



***Square D**[®] is a market leader for NEMA type industrial controls, electrical distribution, circuit protection, related power equipment, systems and services.*



***Telemecanique**[®] is a worldwide leader and manufacturer of IEC type industrial control and automation products.*

To learn more about Schneider Electric solutions, visit our website at www.us.schneider-electric.com or contact your nearest Square D or Telemecanique sales engineer or distributor for details.

Schneider Electric - North American Operating Division

1415 S. Roselle Road
Palatine, IL 60067
Tel: 1-866-SQUARED