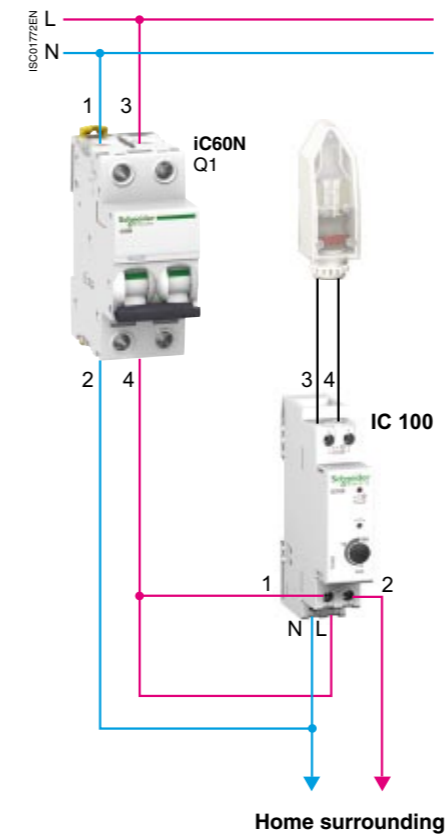
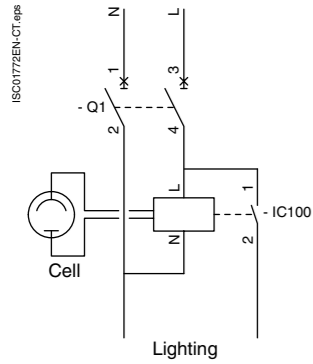


How to automatically light the surroundings of your home at night?

- The IC100 twilight switch is used to light the surroundings of your home when the brightness threshold, adjustable from 2 to 100 lux, is reached.
- Maximum power controlled:
 - 230 V LV halogen or incandescent lighting: 2300 W,
 - fluorescent lighting non-corrected / serial-corrected / dual mounted with conventional ballast: 2300 VA,
 - parallel corrected fluorescent tubes with conventional ballast: 400 VA,
 - dual-mounted fluorescent tubes with electronic ballast: 300 VA,
 - fluocompact lamps with electronic ballast: 9 x 7 W, 7 x 11 W, 7 x 15 W, 7 x 20 W, 7 x 23 W,
 - fluocompact lamps with conventional ballast: 1500 VA,
 - parallel-corrected mercury and sodium vapour lamps: 400 VA,
 - non-corrected/ serial-corrected mercury and sodium vapour lamps: 1000 VA,
 - higher than this: relay with a iCT contactor.

Electric circuit



Products used	Qty.	Part no.
2P iC60N	1	
IC100 with wall-mounted cell	1	15482