

# Lighting control

## Automation of public lighting

### The IC Astro astronomic programmable light sensitive switch:

- is used to switch lighting on or off automatically in accordance with sunrise and sunset times;
- is set according to the place of installation:
  - by selecting a country or a town,
  - or by its geographical coordinates, (latitude and longitude);
  - the difference in sunset and sunrise times can be adjusted separately by  $\pm 120$  minutes.

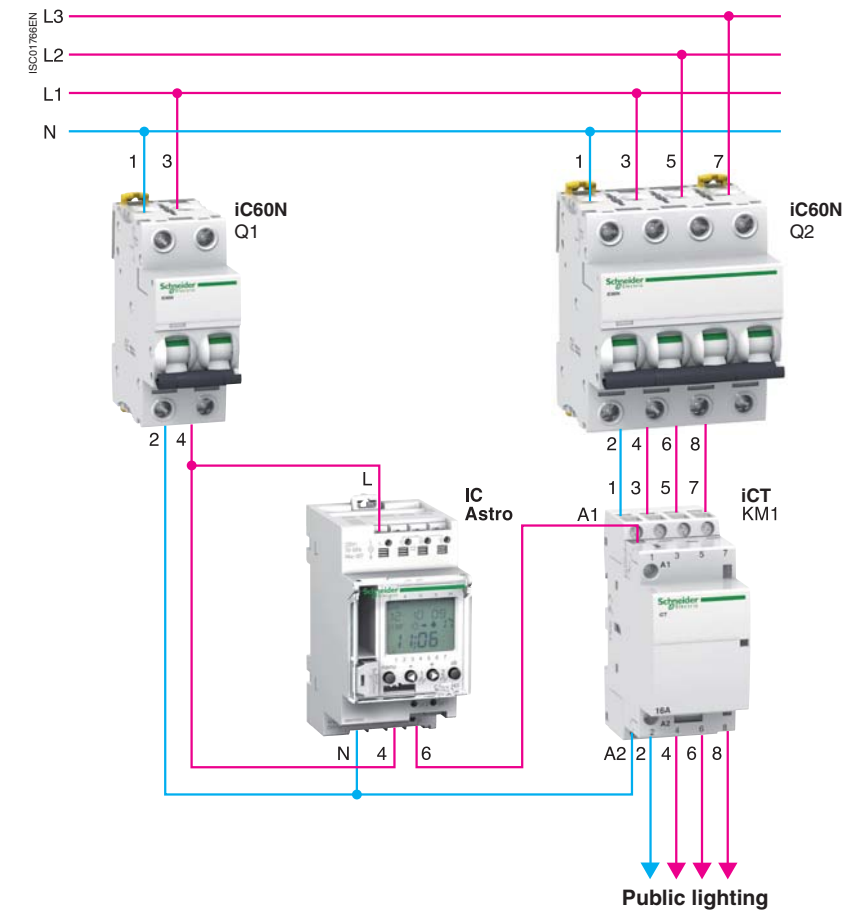
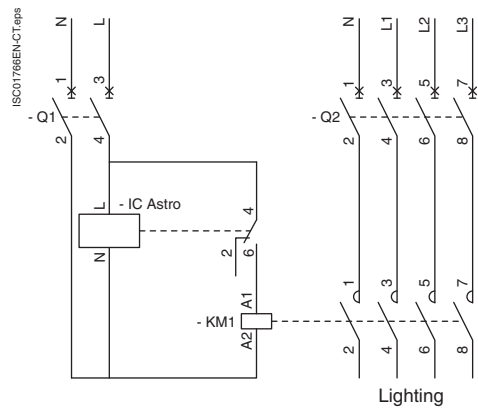
A contactor and its protection circuit-breaker should be installed if the power to be controlled exceeds 2.3 kW.

### Additional information

- The circuit-breaker and contactor ratings depend on the power installed and load type.
- the products designated as property and personal protection devices (circuit-breakers) and those designed for load relaying (contactors) are indicated for information only. The IC Astro can operate with other similar products (protection devices, relays).

### Control circuit

### Power circuit



Products used	Qty.	Part no.
2-pole iC60N	1	
4-pole iC60N	1	
IC Astro 2C	1	CCT15243 <sup>(1)</sup> , CCT15244 <sup>(2)</sup>
4-pole iCT	1	

(1) English, french, spanish, portuguese, hungarian, polish, romanian, czech, slovak, bulgarian, greek, slovene, serbian, croatian languages.

(2) English, french, italian, german, swedish, dutch, finnish, danish, russian, ukrainian, latvian, lituanien, estonian, turkish languages.