



Set the perfect mood of my restaurant with the ideal lighting

Adapt the lights depending on the time: a practical level for lunch, and romantic for dinnertime.

Customer case

Ruben devotes all his time and attention to his restaurant. To step his business up, he needs to attract more people and to offer them a better experience.

Ruben is considering a décor refresh of his restaurant room. By creating a décor with an attractive lighting, it's a simple way of creating a cozier ambiance.

He wants to explore what can be done without having to refurbish the entire electrical installation.

Our recommendation

Select universal Acti9 STD 400 LED+ that is compatible with all kinds of lights.

It can manage up to 3 different pre-defined lighting scenes from one centralized controlling point.

It enable also soft starting for improved eye comfort.

It is controlled with existing 230 V push-buttons.

Benefits

For restaurant owner:

- Create an outstanding customer experience with a cozy lighting ambience.
- Control brightness levels from a single point and even store lighting scenarios.
- Your enhanced reputation will help improve business and your pricing model.
- Upgrade your installation with little impact on your existing installation.

For electricians:

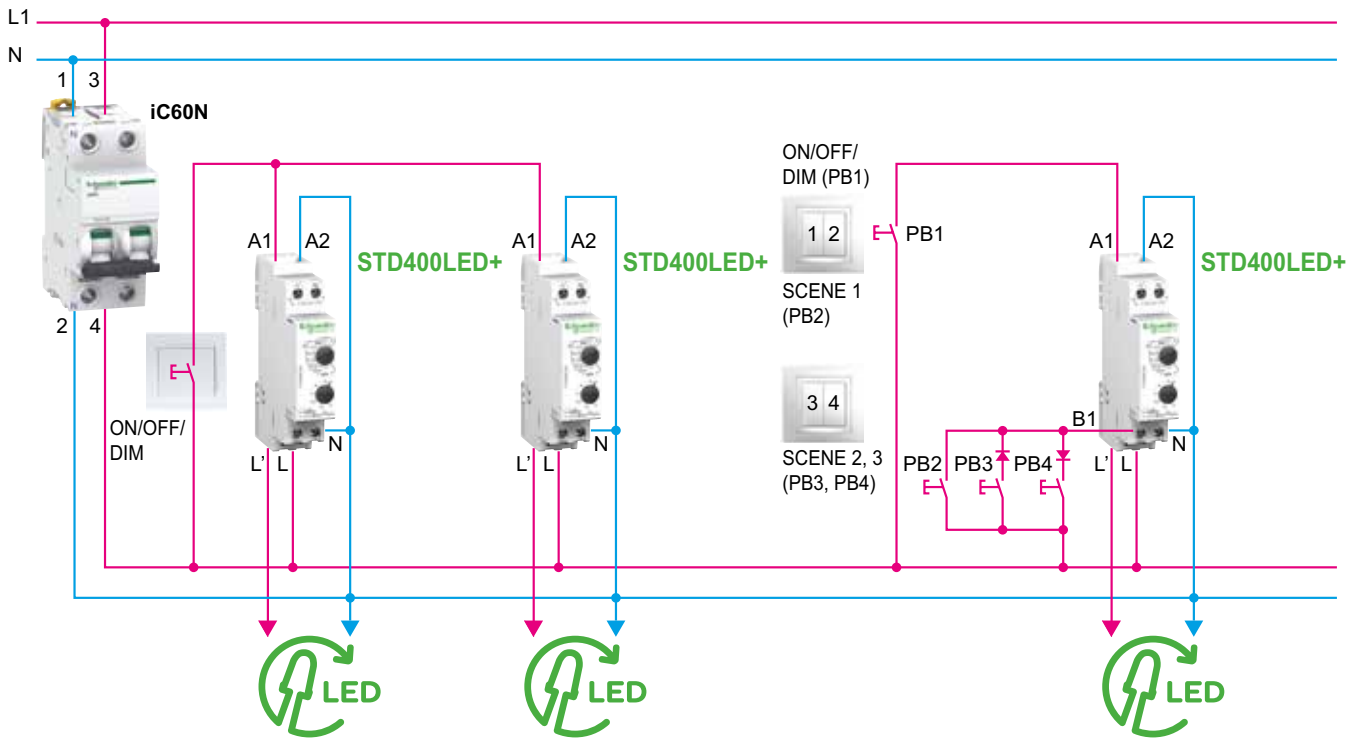
- Be efficient: Schneider Electric universal dimmer is designed for simple and fast upgrade of existing installation. Now you can propose an alternative for complete refurbishments.
- Simple product selection: just 3 references - for any situation.
- Fast installation: thanks to the low width of 18 mm only, the DIN dimmers are perfect for retrofitting in existing panelboard. So you won't lose time with any problematic situations.

se.com

Life Is On

Schneider
Electric

Solution Diagram



Specifications

- Dimmer must be compatible with following luminaire technologies: incandescent lamps, halogen lamps, dimmable compact light lamps (energy saving lamps) or dimmable LED.
- Dimmer will enable to set pre-defined lighting scenes.
- It will be controlled with existing 230 V push-buttons.

Products used

Product	Function	Quantity	Reference
iC60N	1P+N MCB	1	Depend on rating
Acti9 STD 400 LED+	DIN universal dimmer	1	CCTDD20017

More about Acti9 STD



Scan or click on QR code

se.com

Life Is On

Schneider
Electric

Schneider Electric Industries SAS
35, rue Joseph Monier - CS 30323
F92506 Rueil-Malmaison Cedex

Document Number CA9SS098E ©2019 Schneider Electric. All Rights Reserved.
Life Is On Schneider Electric is a trademark and the property of Schneider Electric SE, its subsidiaries and affiliated companies