



Lighting control for an underground parking

Effective and comfortable solution to control underground parking light



Customer case

For his new building, the building manager wishes to optimize car park lighting operation and control energy costs. Also he wants to increase the building resident's comfort by ensuring lighting for people's movement.

The lighting should automatically be extinguished after a certain time, once the people have left.

It must be possible to override the automatic system to switch on the lighting by remote override control in case of maintenance.

Benefits

- Cost optimization by providing light at the right time, only when it is needed.
- Comfort: automatic switching on without having to look for the lighting control.
- Reliability with zero crossing technology contactor to limit the inrush current coming from LED luminaires.

Our recommendation

Thanks to the silent zero crossing contactor Acti9 iCT+, the LED lighting can be controlled without any issues.

Thanks to the Argus 360 which allows detection of people in movement, the lighting comes on automatically for a given period. A two position wall switch, located at the main entrance of the parking, can be used to switch on the lighting by override control if necessary.

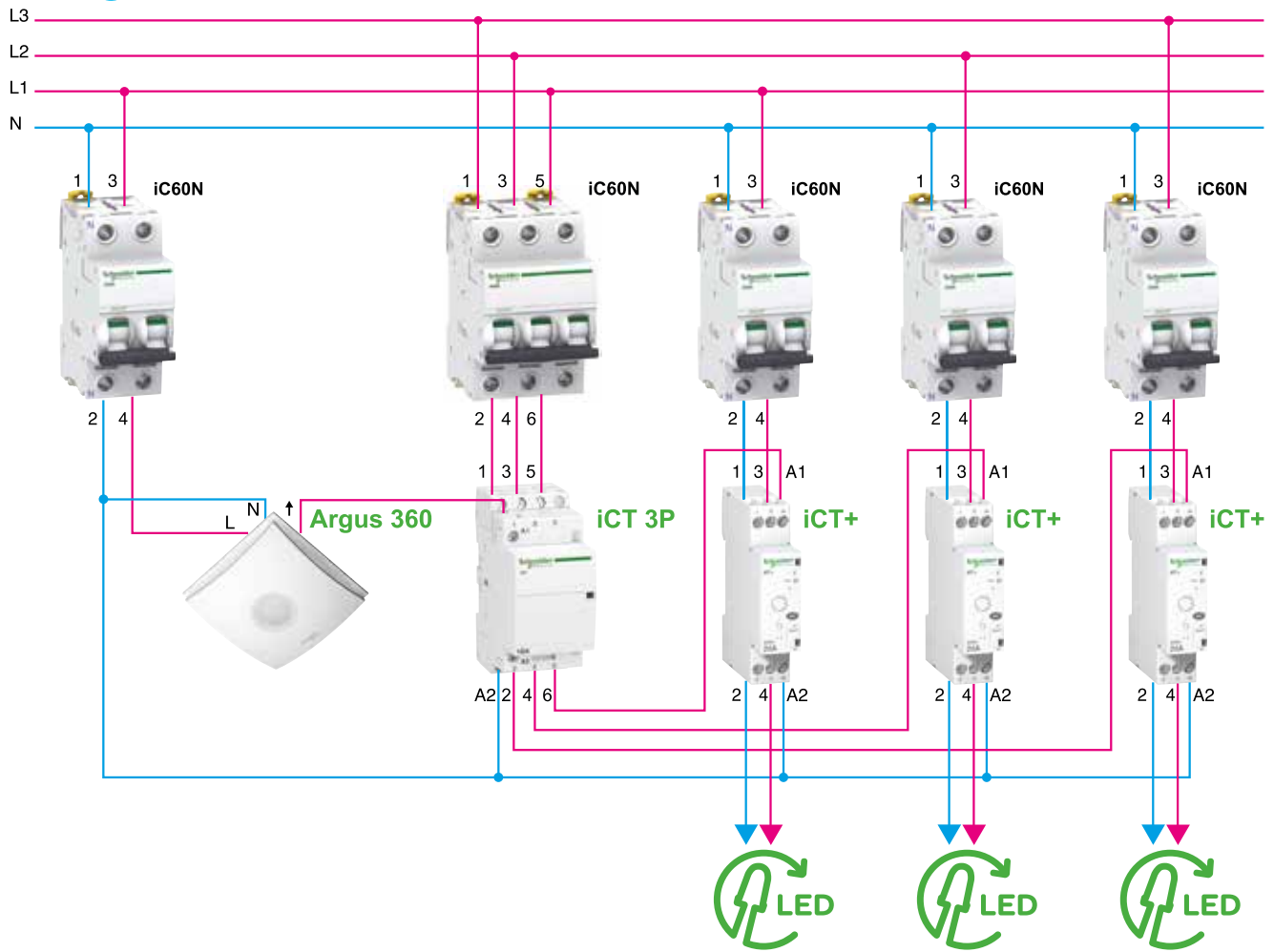
se.com

Life Is On

Schneider
Electric

Solution

Diagram



Specifications

- Zero crossing voltage contactors must be installed to limit the inrush current when the light units are powered up.
- The lighting system is activated by movement detection.
- The phase used as control input of zero crossing voltage contactor must be the same than the distributed power phase.

Products used

Product	Function	Quantity	Reference
Acti9 iC60N	MCB 2P	3	Depend on rating
Acti9 iC60N	MCB 2P	1	Depend on rating
Acti9 iC60N	MCB 3P	1	Depend on rating
Acti9 ICT	3P 16 A Contactor	1	A9C22813
Acti9 ICT+	1P 20 A silent contactor	3	A9C15031
Argus 360	360° indoor movement detector	1	CCT56P002

More about
Acti9 ICT+



Scan or click on
QR code

se.com

Life Is On

Schneider
Electric

Schneider Electric Industries SAS
35, rue Joseph Monier - CS 30323
F92506 Rueil-Malmaison Cedex

Document Number CA9SS094E ©2019 Schneider Electric. All Rights Reserved.
Life Is On Schneider Electric is a trademark and the property of Schneider Electric SE, its subsidiaries and affiliated companies