



Keep an eye on your restaurant anytime, anywhere

EcoStruxure Facility Expert -
Small Business

EcoStruxure™
Innovation At Every Level

Customer case

It's almost the end of the year and Roberto will face a heavy period of activity for his restaurant.

To optimize his benefits, he will check regularly that fridges and cold rooms work properly to minimize risk of loss (raw materials, semi-finished and finished products...).

Moreover, no way to take the risk of an administrative closure: recording temperature of its cold rooms and fridge is mandatory to comply with HACCP rules.

He would like also to extend the planning range of his luminous sign but he doesn't want to consume too much energy so he will switch it off every night before leaving.

Our recommendation

Choose Facility Expert SB mobile app, that enable to:

- monitor loads, for 24/7 visibility,
- receive notification in real-time, in the event of equipment issues or unplanned power shut-off,
- monitor the temperature and be notified in case of abnormal temperatures,
- generate automated temperature reports,
- automatically or remotely switch off a targeted device.

(*) HACCP: Hazard Analysis Critical Control Point.

se.com

Benefits

For restaurant owner

- Get alerted quickly if cold room temperature is too high. Clear his mind and enjoy his free time.
- Receive notification should oven operation (on/off) not correspond with programmed schedule.
- Automatically generate fridge and cold room HACCP* compliant temperature reports.
- Schedule, check status and switch off remotely the luminous sign.

For electrician

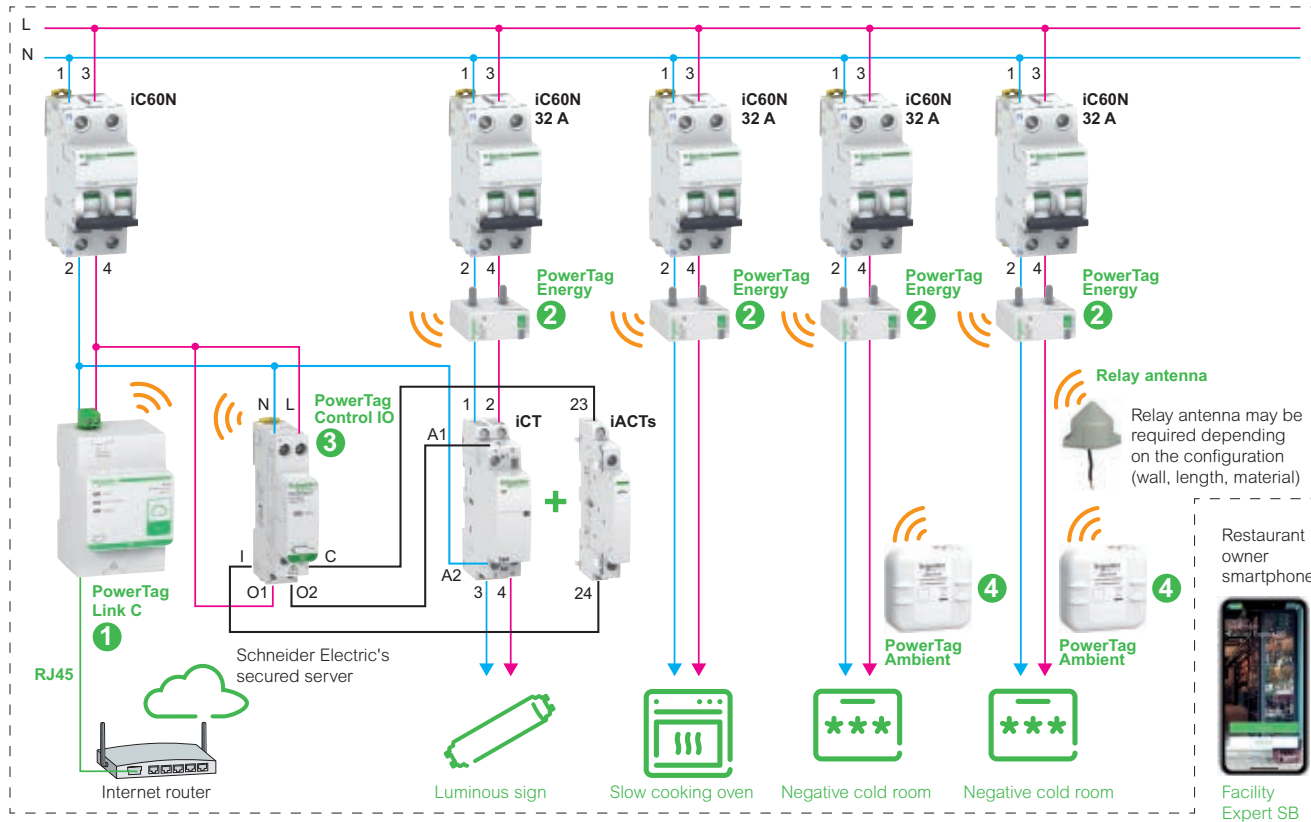
- Provide your customers with peace of mind.
- Turn any panel to connected panel in under an hour.
- Easy, simple and fast to configure with eSetup app on smartphone.

Life Is On

Schneider
Electric

This document has no contractual value and Schneider Electric cannot be held liable for its content.

Solution Diagram



Detail of installation

- ① PowerTag Link C turns a switchboard into a connected object. It is connected to the Internet via the restaurant's Internet router. It retrieves information from the switchboard and sends the data to the Schneider Electric secured server in the Cloud.
- ② PowerTag Energy is a wireless-communication energy sensor that monitors loads and circuits. Different types are available. It communicates data to PowerTag Link C.
- ③ PowerTag Control IO enables to capture status of an electrical circuit and eventually remotely switch it on/off. It communicates data to PowerTag Link C.
- ④ PowerTag Ambient for temperature provides T°C measurement data to the PowerTag Link C. For better communication and depending on installation, relay antenna may be required.

Products used

Product	Function	Quantity	Reference
Acti9 iC60N 2P 2A	MCB for gateway & PowerTag C	1	A9F04602
Acti9 iCT 2P	Contacteur 32 A	1	Depend on rating
Acti9 PowerTag Link C	Gateway	1	A9XELC10
PowerTag Energy 63 A	Energy sensors	4	Available in various format
PowerTag Control IO	Control and monitoring module	1	A9XMC1D3
PowerTag Ambient	Set of 4 ESST1 T°C sensors	1	A9XST114
Relay antenna	Relay antenna to increase signal	1	ZBRA1

More about
Facility Expert SB



Scan or click on
QR code

se.com

Life Is On

Schneider
Electric

Schneider Electric Industries SAS
35, rue Joseph Monier - CS 30323
F92506 Rueil-Malmaison Cedex

Document Number CA9SS068E ©2019 Schneider Electric. All Rights Reserved.
Life Is On Schneider Electric is a trademark and the property of Schneider Electric SE, its subsidiaries and affiliated companies