

# Lighting management for a solicitor's office

“Impulse remote control + central control = energy savings + ease of use”



## Customer case

The lighting for each area can be switched on or off locally by office workers, and the receptionist can switch all the lighting areas on (or off) from a central control, to prevent any waste of energy if users have forgotten to switch off the light.

Monitoring of the lighting status is necessary for the reception desk (indicator lit if one of the offices is illuminated).

## Benefits

- Energy optimization: centralized remote control allows all the office and meeting room lights to be extinguished from a single location. It prevents leaving the lighting on in rooms when closing the solicitor's office.
- Comfort: an indicator lamp can indicate that an office or meeting room is lit. Local push buttons actuate impulse relays individually for each lighting circuit.

## Our recommendation

The combination of Acti9 iATLc+s auxiliaries for Acti9 iTL impulse relays allows both local control of each office, centralized control, and monitoring of the light status.

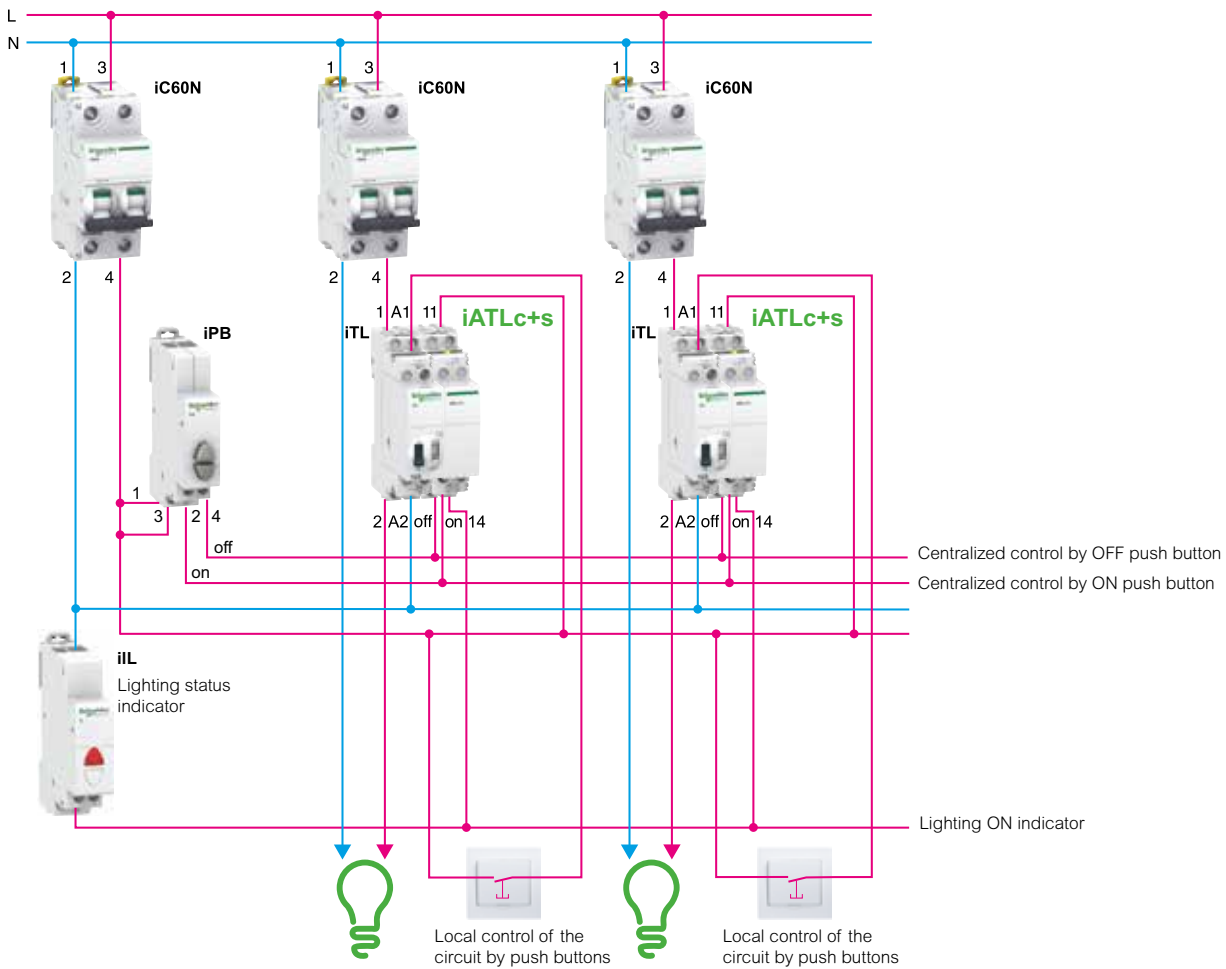
Centralized control is provided by a single push button, and the status report of the light is achieved by mounting in series the auxiliary signaling contact of each impulse relay.

[se.com](http://se.com)

Life Is On

**Schneider**  
Electric

# Solution Diagram



## Specifications

- Each lighting circuit is actuated by local push buttons and via common switch-on and switch-off orders by push button located at the reception level
- A review of the lighting status is provided by a light indicator.

Products used			
Product	Function	Quantity	Reference
Acti9 iC60N	MCB 1P+N	1	Depend on rating
Acti9 iC60N	MCB 1P+N	2	Depend on rating
Acti9 iTL	impulse relay	2	A9C30811
Acti9 iATLc+s	Centralized control + signaling	2	A9C15409
Acti9 iIL	Indicator lamp	1	A9E18320
Acti9 iPB	Double push button	1	A9E18035

More about Acti9 iATLc+s



Scan or click on QR code

se.com

Life Is On

Schneider Electric

Schneider Electric Industries SAS  
35, rue Joseph Monier - CS 30323  
F92506 Rueil-Malmaison Cedex

Document Number CA9SS009E ©2019 Schneider Electric. All Rights Reserved.  
Life Is On Schneider Electric is a trademark and the property of Schneider Electric SE, its subsidiaries and affiliated companies