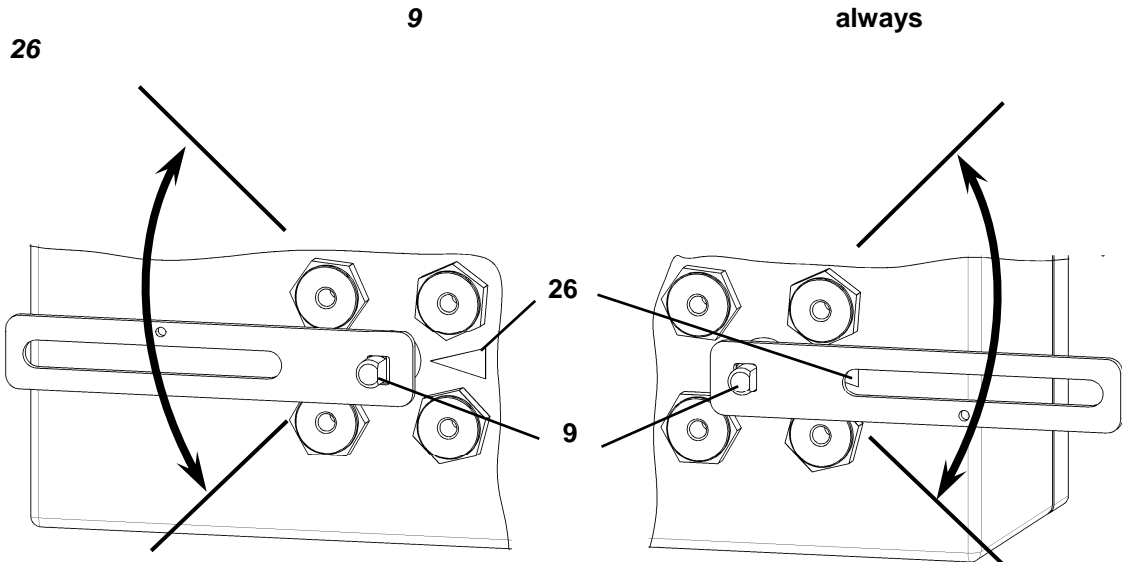
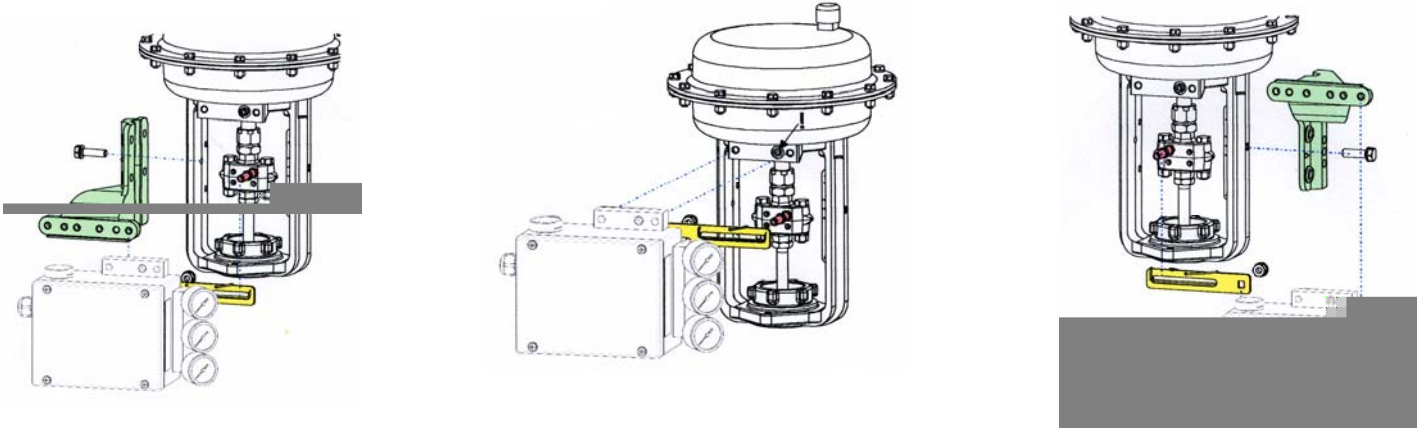


# SRI990-\_\_\_\_\_ - Z Analog Positioner

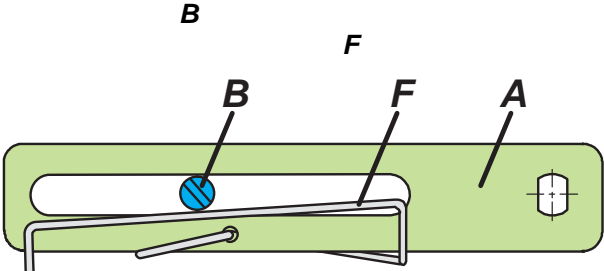
## 1. Mounting to actuators



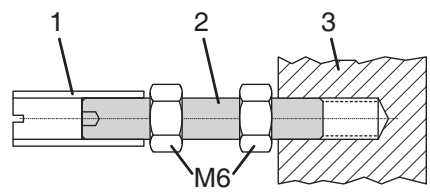
### 1.1 Mounting to linear actuators



Feedback lever for linear actuators:

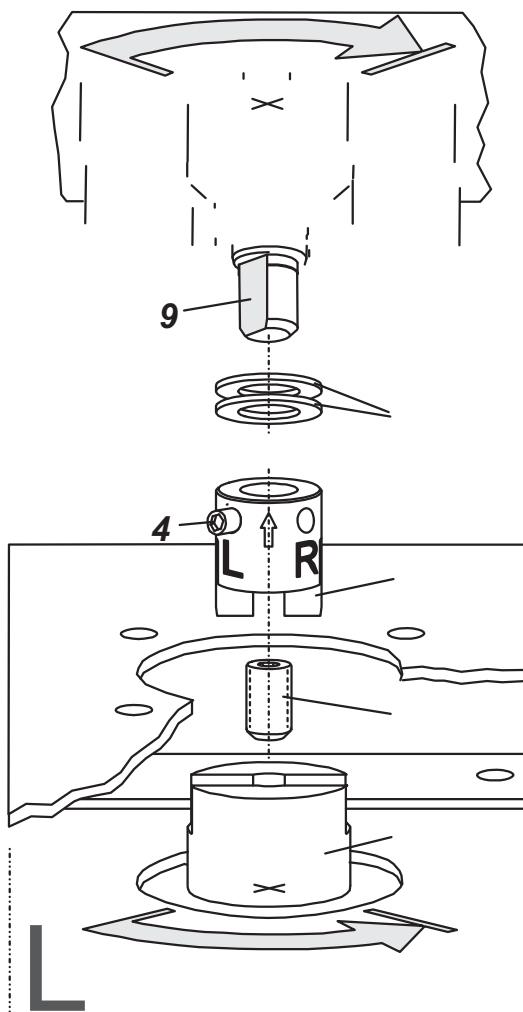


Carrier bolt B:



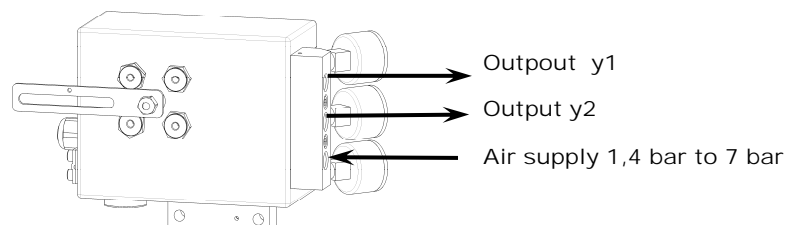
## 1.2 Mounting to rotary actuators

- 4
- 9
- ↔ 26
- 1 3
- 9 5 1

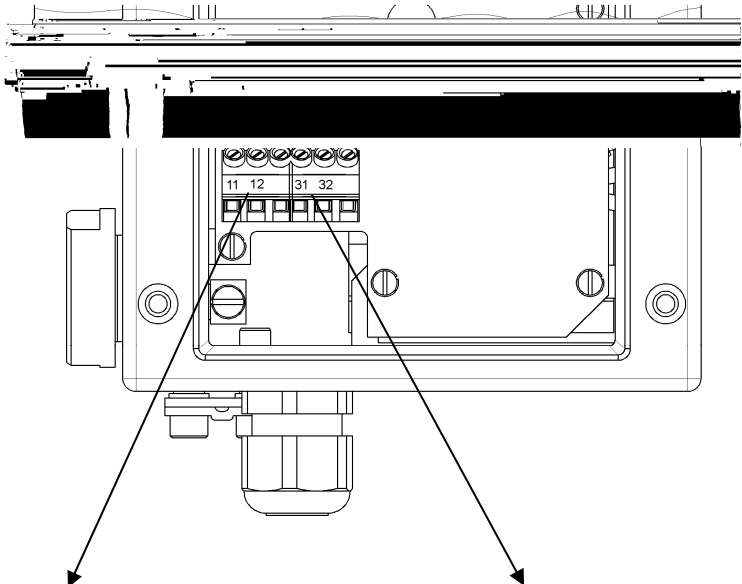


## 2 Connections

Pneumatic connections



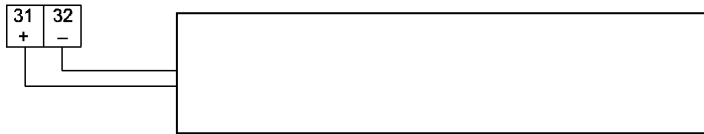
**3. Electrical connections**



**3.1 Setpoint**

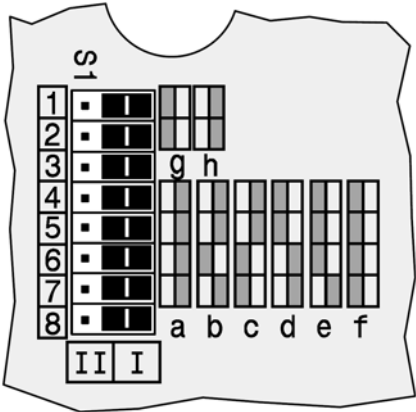


**3.2 Position feedback 4-20 mA (SR1990-xxQ)**

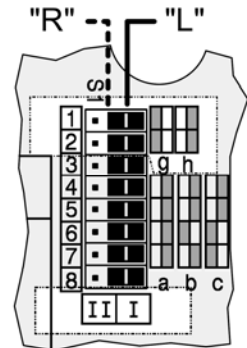
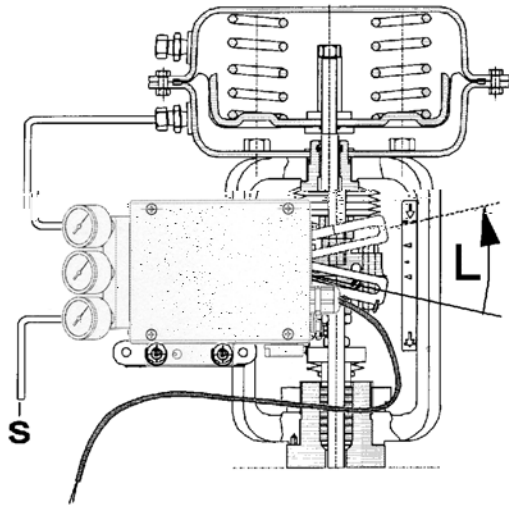


**4 START UP (setting by means of local switches and potentiometers)**

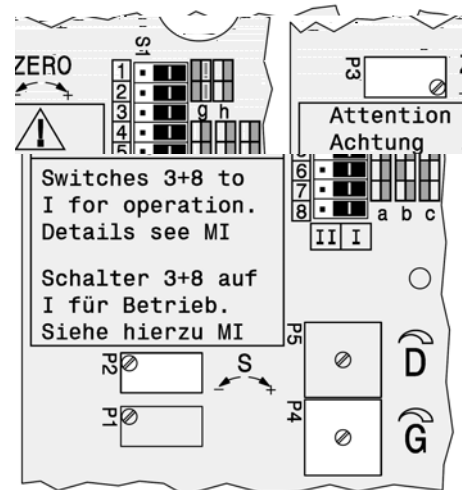
**4.1 Initial setting**



## 4.2 Configuration direction of rotation of feedback shaft



## 4.3 Setting of zero, span and gain



## 5 Setting and Start Up of position transmitter 4-20mA

Adjusting the start of the measuring range (4 mA)

Adjusting the end of the measuring range (20 mA)

[schneider-electric.com](http://schneider-electric.com)