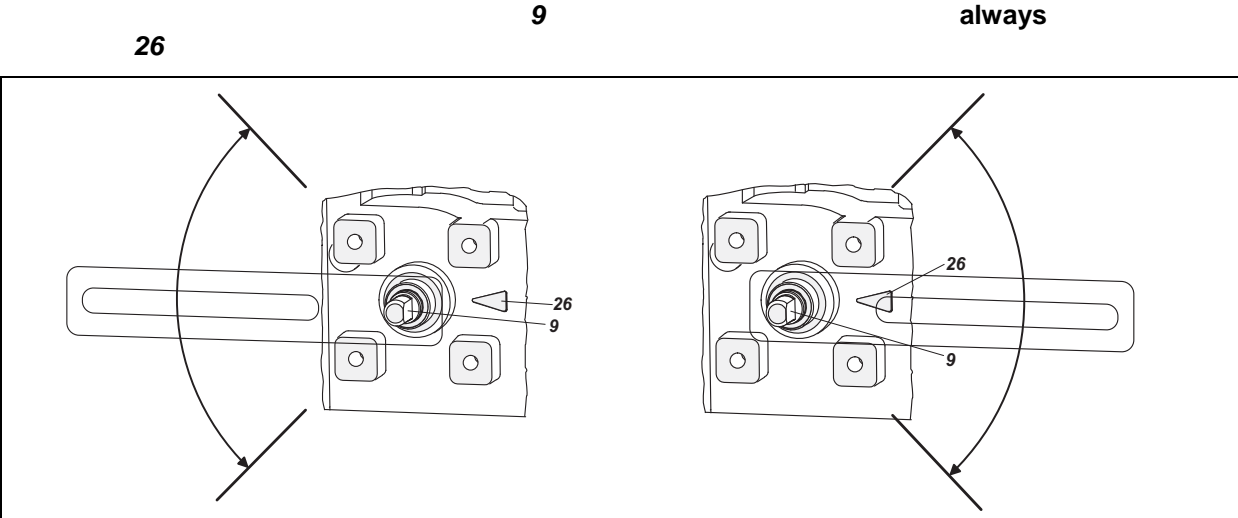
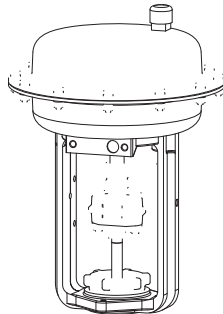


# SRI990 Analog Positioner

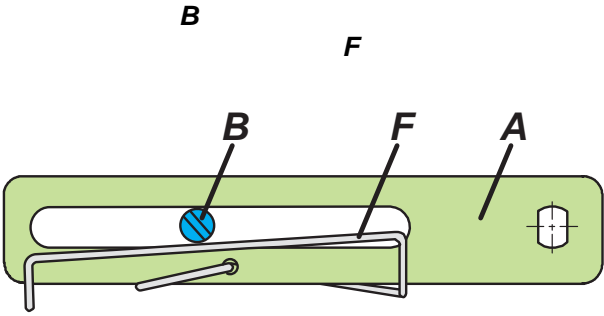
## 1. Mounting to actuators



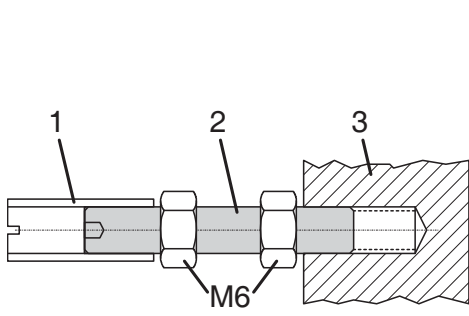
### 1.1 Mounting to linear actuators



Feedback lever for linear actuators:



Carrier bolt B:



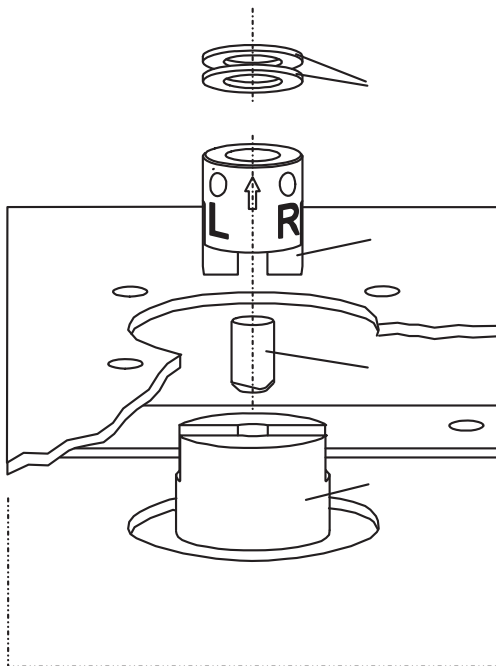
---

## 1.2 Mounting to rotary actuators

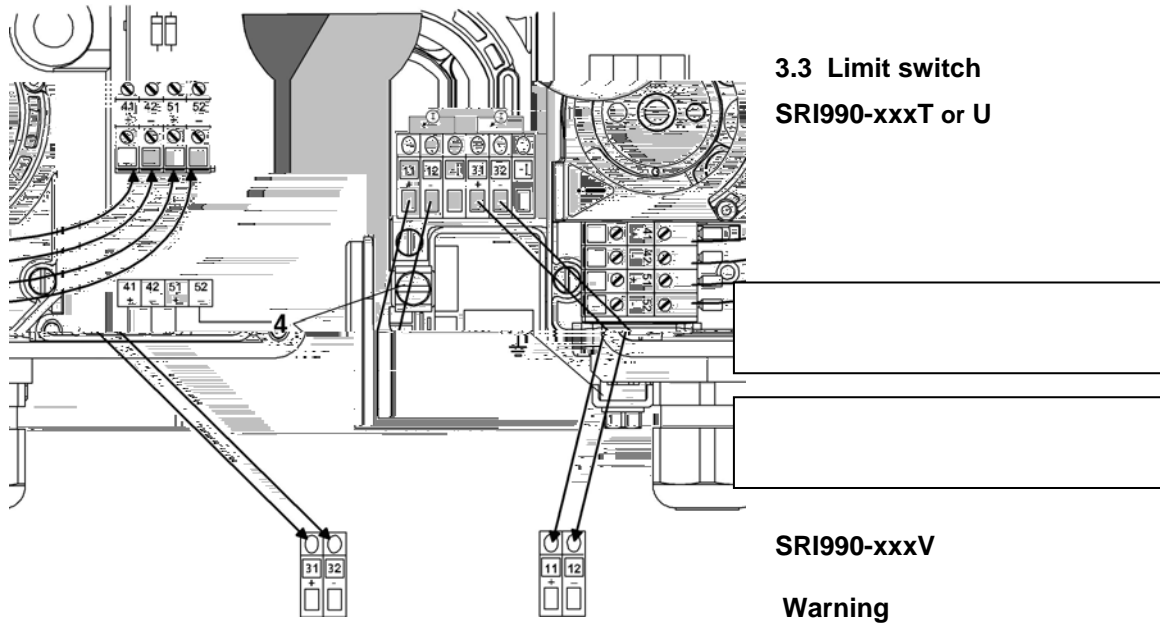
- 4
- 9
- 26
- 1
- 3
- 1
- 3
- 5
- 9

Actuator, left turning

Actuator, right turning



### 3. Electrical connections

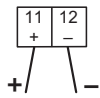


**3.3 Limit switch  
SRI990-xxxT or U**

**SRI990-xxxV**

**Warning**

#### 3.1 Setpoint

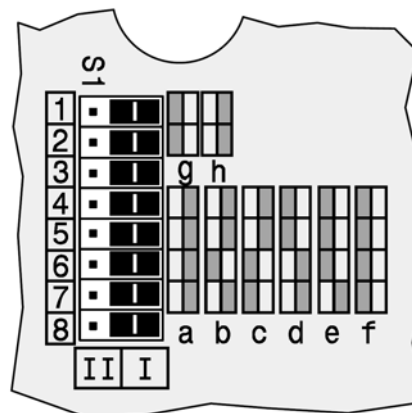


#### 3.2 Position feedback 4-20 mA (SRI990-xxQ)

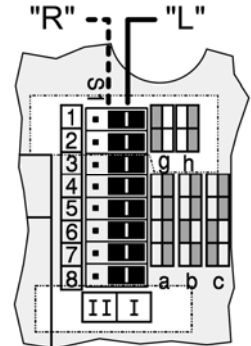
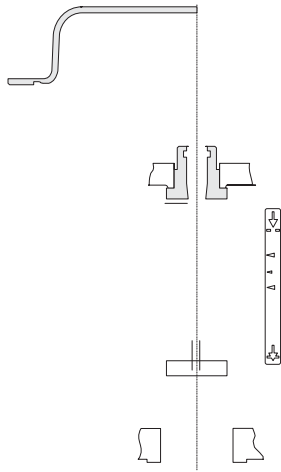


### 4 START UP (setting by means of local switches and potentiometers)

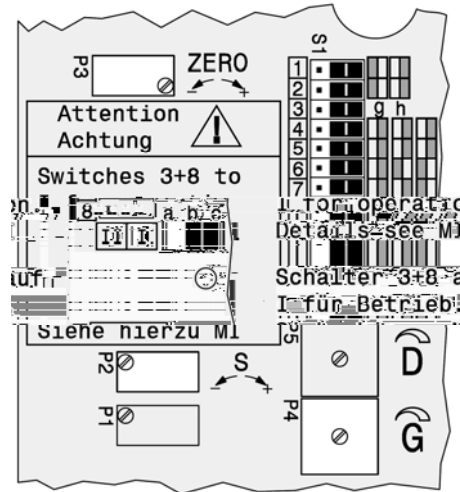
#### 4.1 Initial setting



**4.2 Configuration direction of rotation of feedback shaft**

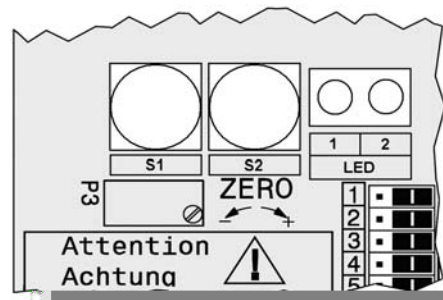


**4.3 Setting of zero, span and gain**



**5 Setting and Start Up of position transmitter 4-20 mA**

Adjusting the start of the measuring range ( 4mA)



Adjusting the end of the measuring range (20 mA)