

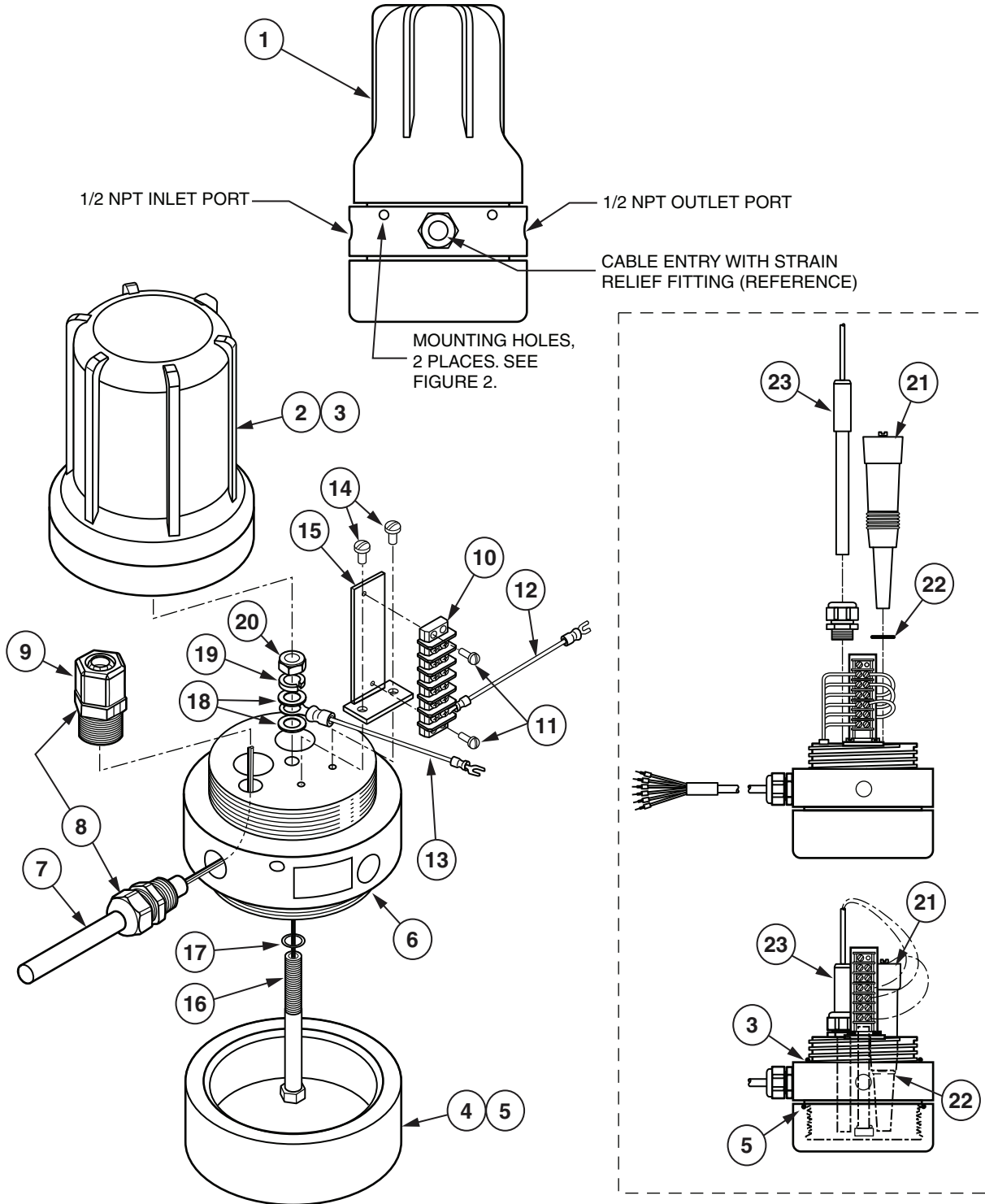
Model EP459A
Fluoride Sensor Assembly
—
Style A

Give instrument Model Code when ordering.
*Parts preceded by an asterisk are recommended spare parts.
See Recommended Spare Parts Summary section for quantities.

TO ORDER PARTS, CALL 1-866-746-6477.

PARTS

Figure 1. FLUORIDE SENSOR ASSEMBLY

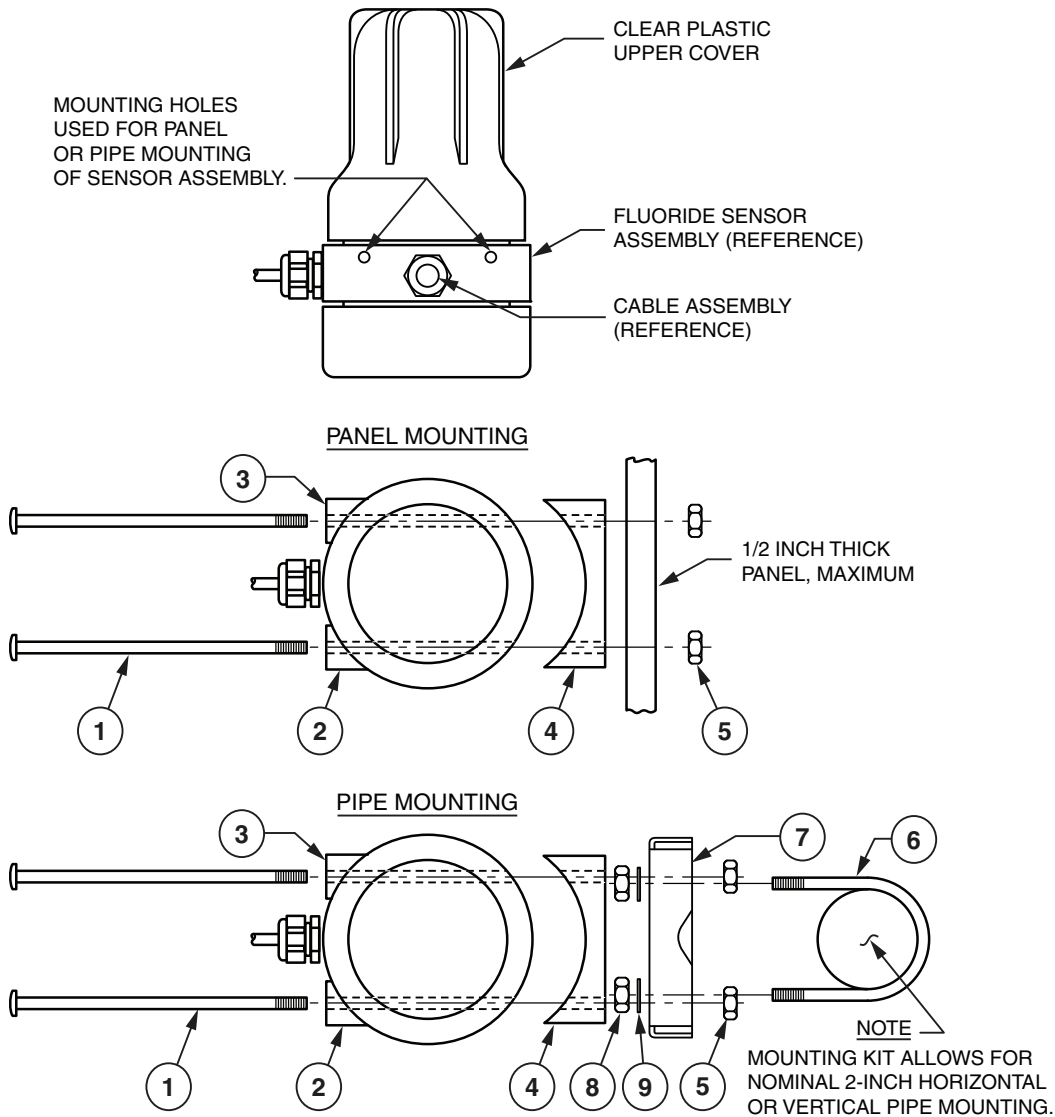


Item	Part No.	Qty.	Part Name
*1	EP459A	1	Fluoride Sensor Assembly; Note 1
*-	Q0105AX	1 Pint	Fluoride Solution, Standard; 100 ppm; Note 2
2	XS004LB	1	Cover, Upper; Clear Plastic (includes Cover O-ring, Item 3)
3	X0145SE	1	O-ring, Upper Cover; Viton
4	BS810AJ	1	Chamber, Bottom; PVC; Grey; Process Wetted
5	XS004LE	1	O-ring, Bottom Chamber; EPDM
6	BS810AL	1	Body, PVC; Process Wetted
7	BS810AN	1	Assembly, Cable
8	XS004LC	1	Fitting, Cable Strain Relief
9	BS810DV	1	Bushing, Cap
10	X0171EN	1	Block, Terminal; 12 Terminals, Note 3
11	X0122UK	2	Screw, Panhd; Slotted; 0.138-32 x 0.38; ss
12	BS810AS	1	Wire Assembly, Reference; Note 3
13	BS812QJ	1	Wire Assembly, Ground; Note 3
14	X0127DX	2	Screw, Panhd; Slotted; 0.190-32 x 0.38; ss
15	BS810AH	1	Bracket, Terminal Block Mounting
16	BS810AP	1	RTD Assembly
17	2800482	1	O-ring; Ethylene Propylene
18	XS004LF	2	Washer, Flat; 0.39 ID; ss
19	XS004LQ	1	Washer, Lock; 0.39 ID; ss
20	XS004LP	1	Nut, Jam; 0.375-16; ss
*21	B0158LY	1	Electrode, Reference; (includes O-ring, Item 22)
22	K0111FK	1	O-ring; Viton
*23	XS004LD	1	Electrode, Fluoride

NOTES

- 1 The fluoride sensor assembly comes complete with fluoride ISE, reference electrode, solution ground, platinum RTD, and integral flow cell. It also includes hardware for conveniently mounting the sensor assembly to a surface, or to a nominal 2-inch vertical or horizontal pipe.
 - 2 The fluoride solution standard, 100 ppm concentration, is used for system calibration. It is not provided with the sensor assembly (Item 1) and must be ordered separately.
 - 3 Refer to MI 611-210 for terminal identification and wiring instructions.
-

Figure 2. MOUNTING KIT FOR PANEL OR PIPE MOUNTED FLUORIDE SENSOR ASSEMBLY



Item	Part No.	Qty.	Part Name
-	BS810AZ	1	Mounting Kit, Fluoride Sensory Assembly. Consists of Items 1 to 9.
1	BS806FA	2	Bolt, Mounting; 6 inch; ss
2	BS810BA	1	Spacer, Mounting; Right
3	BS810AY	1	Spacer, Mounting; Left
4	BS810AW	1	Block, Mounting
5	X0171SR	2	Nut, Nyloc; 0.250-20; ss
6	N0126KC	2	U-bolt; Plated Steel; 0.312-18
7	BS810AX	1	Bracket, Pipe Mounting; painted steel
8	X0142BW	4	Nut, Hexagonal; 0.312-18; ss
9	A2015AB	4	Washer, Lock; 0.312; ss

RECOMMENDED SPARE PARTS SUMMARY

RECOMMENDED SPARE PARTS SUMMARY

Figure Number	Item Number	Part Number	Part Name	Number of Parts Recommended for		
				1 Sensor	5 Sensors	20 Sensors
1	1	EP459A	Fluoride Sensor Assembly	0	1	2
	-	Q0105AX	Fluoride Solution, Standard; 100 ppm (1 pint)	1	2	4
	21	B0158LY	Electrode, Reference (includes Item 22 O-ring)	1	2	4
	23	XS004LD	Electrode, Fluoride	1	2	4

