

**Model FT10**  
**Noninvasive, Nonmetallic, Electrodeless**  
**Flow-Through Conductivity Sensor**  
—  
**Style A**

Give instrument Model Code when ordering.  
\*Parts preceded by an asterisk are recommended spare parts.  
See Recommended Spare Parts Summary section for quantities.

TO ORDER PARTS, CALL 1-866-746-6477.

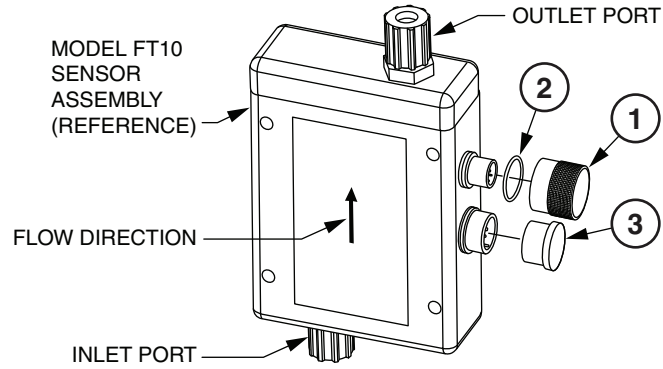
MODEL CODE

Description	Model
Noninvasive, Nonmetallic, Electrodeless Flow-Through Conductivity Sensor	FT10
<u>Electrodeless Conductivity</u> All Teflon Flow-Through Sensor	-MT
<u>Tube/Line Size</u> 1/2 inch 3/4 inch 1 inch	08 12 16
<u>End Connection Form (a)(b)</u> Flare Tube Fitting Nippon Super Pillar 300 Fitting	F N
<u>Termination</u> Integral Standard-Temperature PVC-Jacketed Sensor Cable (c) Integral High-Temperature Shielded Teflon-Jacketed Sensor Cable (c) Integral Connector (d)	1 2 6
<u>RTD (Resistance Temperature Detector)</u> 100 ohm RTD, 3 wire 1000 ohm RTD, 3 wire	T R
<u>Optional Selections</u> Surface Mounting Kit (e) Pipe Mounting Kit (f) Cable Length per Sales Order (g) Specific Sensor Geometric Cell Factor (h)	-1 -2 -3 -4
Examples: FT10-MT12N1R-1; FT10-MT16N6T-24	

- (a) This selection provides the corresponding connection size for the line size selected.  
For example, selecting Line Size Code 08 (1/2 in line size) and End Connection Form Code N (Nippon Super Pillar 300) results in a 1/2 inch Nippon Super Pillar 300 connector.
- (b) Bare Teflon PFA adapter tubes can be provided for use with the Flare Tube or Nippon Fittings as accessories. The tubes are available in 1/2, 3/4, and 1 inch sizes. See Figure 4.
- (c) Standard length integral cable is 10 ft (3 m). Specify Option -3 for longer integral cables.
- (d) Mating patch cord required with integral connector selection 6. See Figure 7.
- (e) Refer to Figure 2 for Optional Surface Mounting Kit.
- (f) Refer to Figure 3 for Optional Pipe Mounting Kit.
- (g) Cable lengths up to 100 ft (30 m) may be specified when Termination Selection 1 or 2 is selected. Not applicable with Termination Selection 6 (integral connector).
- (h) The specific Sensor Geometric Cell Factor is determined experimentally. Contact Global Customer Support.

## PARTS

Figure 1. BASIC MODEL FT10 SENSOR

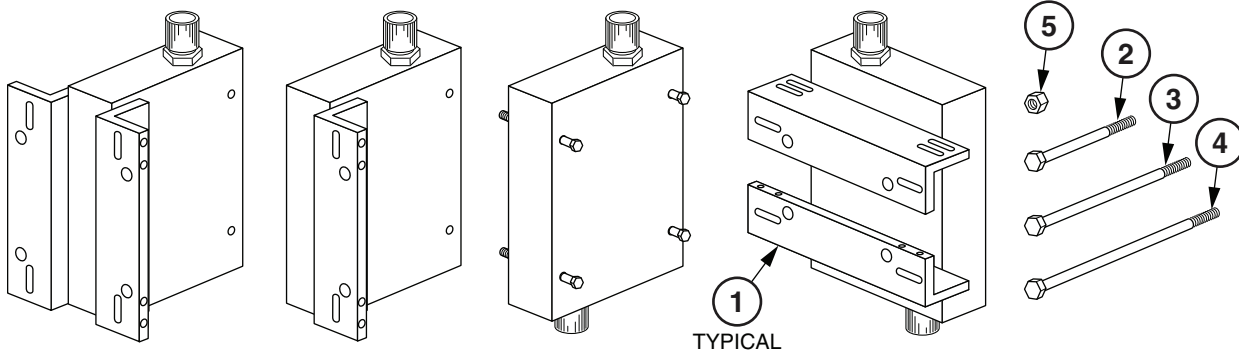


Item	Part No.	Qty.	Part Name
1	BS811XL	1	Cap, Nonmetallic
2	2800714	1	O-Ring, Viton
3	X0179JK	1	Plug, Cap (with FT10-MT...6 Version only)

## — NOTE —

The Model FT10 has no internal replaceable parts. The sensor assembly must be replaced in its entirety. See data plate for sensor model number.

Figure 2. OPTIONAL SENSOR SURFACE MOUNTING KIT  
(Typical Surface Mount Configurations Shown)

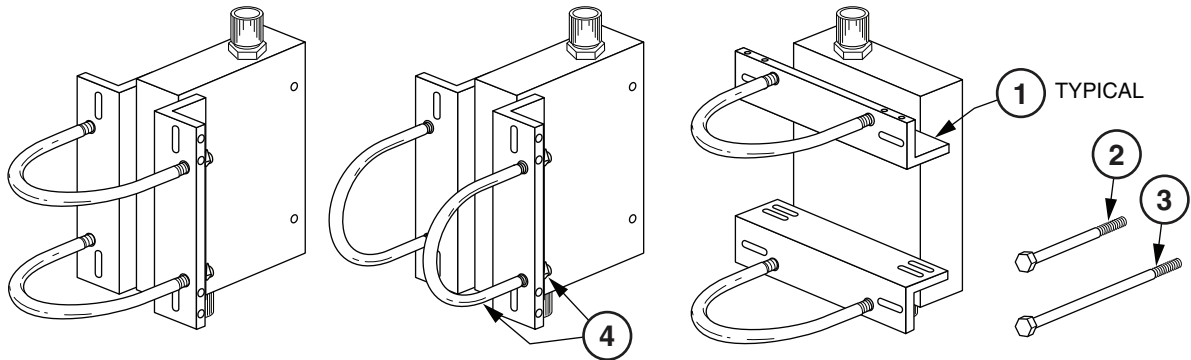


Item	Part No.	Qty.	Part Name
—	BS812NP	—	Surface Mounting Kit
1	BS812NR	2	Mounting Bracket
2	X0174DQ	4	Cap Screw, Nylon; Hexhd; 5/16–18 x 3 in (See Note)
3	X0174DR	4	Cap Screw, Nylon; Hexhd; 5/16–18 x 4 in (See Note)
4	X0174DS	4	Cap Screw, Nylon; Hexhd; 5/16–18 x 5 in (See Note)
5	X0174DU	8	Nut, Nylon; Hexhd; 5/16–18

— NOTE —

The cap screws are provided in three different lengths to allow flexibility in attaching the mounting bracket to the sensor.

Figure 3. OPTIONAL SENSOR PIPE MOUNTING KIT  
(Typical Pipe Mount Configurations Shown)

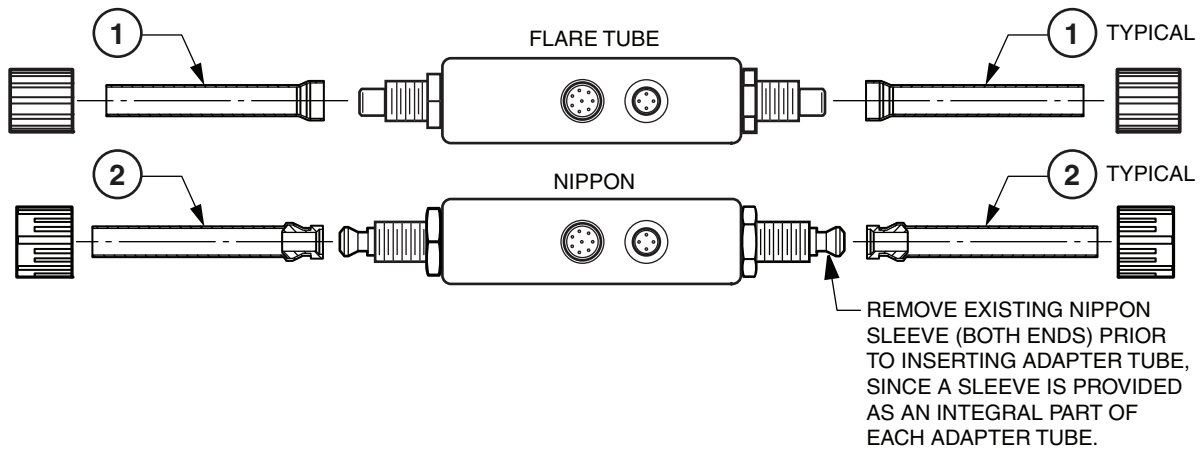


Item	Part No.	Qty.	Part Name
–	BS812NQ	–	Pipe Mounting Kit
1	BS812NR	2	Mounting Bracket
2	X0174DQ	4	Cap Screw, Nylon; Hexhd; 5/16–18 x 3 in. See Note 1.
3	X0174DR	4	Cap Screw, Nylon; Hexhd; 5/16–18 x 4 in. See Note 1.
4	X0174DT	2	U-Bolt, Polyurethane; includes four 1/2–13 Hexhd Nuts. See Note 2.

— NOTE —

1. The cap screws (Items 2 and 3) are provided in two different lengths to allow flexibility in attaching the mounting bracket to the sensor.
2. The U-Bolts are for use with nominal DN50 or 2 inch pipes. Two nuts are provided with each U-bolt.

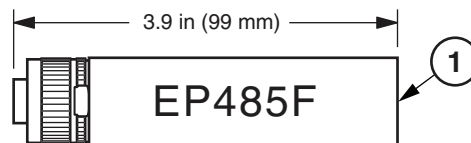
Figure 4. ACCESSORY – ADAPTER TUBE KIT



Item	Part No.	Qty.	Part Name
1	Below	–	Adapter Tube Kit for Flare Tube Ends
	BS812NS	1	For 1/2 inch Tube/Line Size
	BS812NT	1	For 3/4 inch Tube/Line Size
	BS812NU	1	For 1 inch Tube/Line Size
2	Below	–	Adapter Tube Kit for Nippon Ends
	BS812NV	1	For 1/2 inch Tube/Line Size
	BS812NW	1	For 3/4 inch Tube/Line Size
	BS812NX	1	For 1 inch Tube/Line Size

— NOTE —  
Each Adapter Tube Kit is comprised of two adapter tubes.

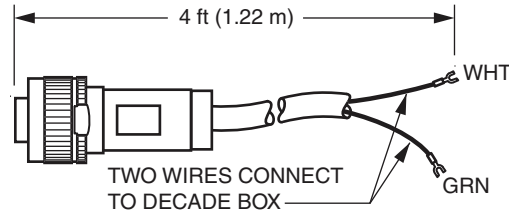
Figure 5. ACCESSORY – CALIBRATION PLUG



Item	Basic Model Number	Qty.	Part Name
1	EP485F	1	Calibration Plug

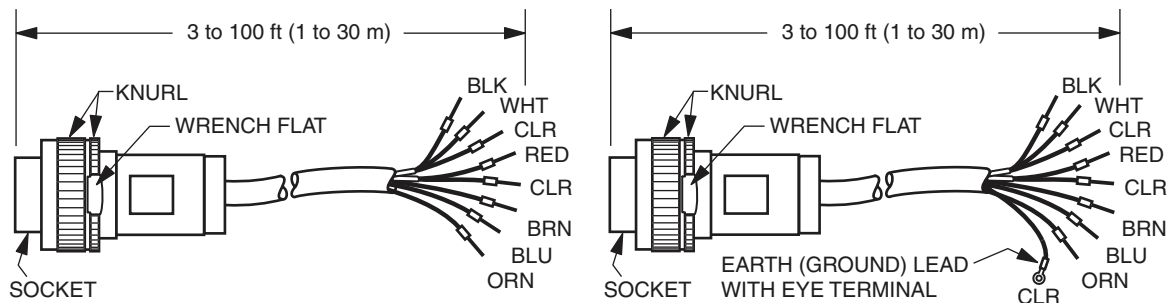
— NOTE —  
The basic model number of the calibration plug is listed. The complete model number provides for tube/line size and range. Contact Global Customer Support. with your application requirement and for the complete model number prior to ordering this part.

Figure 6. ACCESSORY – CALIBRATION CABLE



Item	Part No.	Qty.	Part Name
1	BS807BD	1	Calibration Cable

Figure 7. ACCESSORY – PATCH CORDS



Item	Part No.	Qty.	Part Name
1	Below	1	Patch Cord; PVC Jacket; Standard Temperature
	BS811VF		10 ft (3 m) long
	BS811VE		3 to 100 ft (1 to 30 m) long (See Note)
2	Below	1	Patch Cord; Shielded Teflon Jacket; High Temperature
	BS811VD		10 ft (3 m) long
	BS811VG		3 to 100 ft (1 to 30 m) long (See Note)

— NOTE —

For patch cords between 3 and 100 ft (1 and 30 m) long, specify the part number listed and length required.

## RECOMMENDED SPARE PARTS

There are no recommended spare parts for this product. The sensor assembly must be replaced in its entirety. However, the user may elect to order additional sensor assemblies as spares at the initial sales order. The user may also elect to order the accessories listed with the initial sales order. Contact Global Customer Support.