

## **873 and 873A Series Electrochemical Analyzers**

**873PH pH/ORP Analyzer**

**873APH pH Analyzer**

**873CC and 873ACC Contacting Conductivity Analyzer**

**873EC and 873AEC Electrodeless Conductivity Analyzer**

**873RS and 873ARS Resistivity Analyzer**

**873DO Dissolved Oxygen Analyzer**

**873DPX Dual pH/ORP/ISE Analyzer**

Give instrument Model Code when ordering.

\*Parts preceded by an asterisk are recommended spare parts.  
See Recommended Spare Parts Summary section for quantities.

TO ORDER PARTS, CALL 1-866-746-6477.

MODEL CODE - pH/ORP Electrochemical Analyzer

<b>Description</b>	<b>Model</b>
pH/ORP Electrochemical Analyzer	873PH
<b>Supply Voltage and Frequency</b>	
120 V ac, 50/60 Hz	-A
220 V ac, 50/60 Hz	-B
240 V ac, 50/60 Hz	-C
24 V ac, 50/60 Hz	-E
100 V ac, 50/60 Hz	-J
<b>Measurement Output</b>	
0 to 20 mA dc, Isolated	E
4 to 20 mA dc, Isolated	I
0 to 10 V dc, Isolated	T
<b>Enclosure</b>	
General Purpose, Plastic, Panel Mounting	P
Field, Metal, Panel Mounting	W
Field, Metal, Surface Mounting – Fixed	X
Field, Metal, Pipe Mounting	Y
Field, Metal, Surface Mounting – Movable	Z
<b>Electrical Certification</b>	
CSA Certified; General Purpose Locations	CGZ
CSA Certified, Nonincendive, Class I, Division 2	CNZ
FM Certified, General Purpose Locations	FGZ
FM Certified, Nonincendive, n	FNZ
No Electrical Certification	ZZZ
<b>Optional Selections</b>	
Special per Engineering Order	-0
NEMA 12 Rear Cover, Used with "P" Enclosure Only	-1
OEM Labeling	-2
Storm Door	-7

MODEL CODE - Contacting Conductivity Electrochemical Analyzer

<b>Description</b>	<b>Model</b>
Contacting Conductivity Electrochemical Analyzer	873CC
<b>Supply Voltage and Frequency</b>	
120 V ac, 50/60 Hz	-A
220 V ac, 50/60 Hz	-B
240 V ac, 50/60 Hz	-C
24 V ac, 50/60 Hz	-E
100 V ac, 50/60 Hz	-J
<b>Measurement Output</b>	
0 to 20 mA dc, Isolated	E
4 to 20 mA dc, Isolated	I
0 to 10 V dc, Isolated	T
<b>Enclosure</b>	
General Purpose, Plastic, Panel Mounting	P
Field, Metal, Panel Mounting	W
Field, Metal, Surface Mounting – Fixed	X
Field, Metal, Pipe Mounting	Y
Field, Metal, Surface Mounting – Movable	Z
<b>Electrical Certification</b>	
CSA Certified; General Purpose Locations	CGZ
CSA Certified, Nonincendive, Class I, Division 2	CNZ
FM Certified, General Purpose Locations	FGZ
FM Certified, Nonincendive, n	FNZ
No Electrical Certification	ZZZ
<b>Optional Selections</b>	
Special per Engineering Order	-0
NEMA 12 Rear Cover, Used with "P" Enclosure Only	-1
OEM Labeling	-2
Curve Generation Program	-5
Storm Door	-7

MODEL CODE - Electrodeless Conductivity Electrochemical Analyzer

<b>Description</b>	<b>Model</b>
Electrodeless Conductivity Electrochemical Analyzer	873EC
<b>Supply Voltage and Frequency</b>	
120 V ac, 50/60 Hz	-A
220 V ac, 50/60 Hz	-B
240 V ac, 50/60 Hz	-C
24 V ac, 50/60 Hz	-E
100 V ac, 50/60 Hz	-J
<b>Measurement Output</b>	
0 to 20 mA dc, Isolated	E
4 to 20 mA dc, Isolated	I
0 to 10 V dc, Isolated	T
<b>Enclosure</b>	
General Purpose, Plastic, Panel Mounting	P
Field, Metal, Panel Mounting	W
Field, Metal, Surface Mounting – Fixed	X
Field, Metal, Pipe Mounting	Y
Field, Metal, Surface Mounting – Movable	Z
<b>Electrical Certification</b>	
CSA Certified; General Purpose Locations	CGZ
CSA Certified, Nonincendive, Class I, Division 2	CNZ
FM Certified, General Purpose Locations	FGZ
FM Certified, Nonincendive, n	FNZ
No Electrical Certification	ZZZ
<b>Optional Selections</b>	
Special per Engineering Order	-0
NEMA 12 Rear Cover, Used with "P" Enclosure Only	-1
OEM Labeling	-2
Curve Generation Program	-5
Storm Door	-7

MODEL CODE - Resistivity Electrochemical Analyzer

<b>Description</b>	<b>Model</b>
Resistivity Electrochemical Analyzer	873RS
<b>Supply Voltage and Frequency</b>	
120 V ac, 50/60 Hz	-A
220 V ac, 50/60 Hz	-B
240 V ac, 50/60 Hz	-C
24 V ac, 50/60 Hz	-E
100 V ac, 50/60 Hz	-J
<b>Measurement Output</b>	
0 to 20 mA dc, Isolated	E
4 to 20 mA dc, Isolated	I
0 to 10 V dc, Isolated	T
<b>Enclosure</b>	
General Purpose, Plastic, Panel Mounting	P
Field, Metal, Panel Mounting	W
Field, Metal, Surface Mounting – Fixed	X
Field, Metal, Pipe Mounting	Y
Field, Metal, Surface Mounting – Movable	Z
<b>Electrical Certification</b>	
CSA Certified; General Purpose Locations	CGZ
CSA Certified, Nonincendive, Class I, Division 2	CNZ
FM Certified, General Purpose Locations	FGZ
FM Certified, Nonincendive, n	FNZ
No Electrical Certification	ZZZ
<b>Optional Selections</b>	
Special per Engineering Order	-0
NEMA 12 Rear Cover, Used with "P" Enclosure Only	-1
OEM Labeling	-2
Storm Door	-7

MODEL CODE - Dissolved Oxygen Electrochemical Analyzer

<b>Description</b>	<b>Model</b>
Dissolved Oxygen Electrochemical Analyzer	873DO
<b>Supply Voltage and Frequency</b>	
120 V ac, 50/60 Hz	-A
220 V ac, 50/60 Hz	-B
240 V ac, 50/60 Hz	-C
24 V ac, 50/60 Hz	-E
100 V ac, 50/60 Hz	-J
<b>Measurement Output</b>	
0 to 20 mA dc, Isolated	E
4 to 20 mA dc, Isolated	I
0 to 10 V dc, Isolated	T
<b>Enclosure</b>	
General Purpose, Plastic, Panel Mounting	P
Field, Metal, Panel Mounting	W
Field, Metal, Surface Mounting – Fixed	X
Field, Metal, Pipe Mounting	Y
Field, Metal, Surface Mounting – Movable	Z
<b>Electrical Certification</b>	
CSA Certified, General Purpose Locations	CGZ
CSA Certified, Nonincendive, Class I, Division 2	CNZ
FM Approved, General Purpose Locations	FGZ
FM Approved, Nonincendive	FNZ
No Electrical Certification	ZZZ
<b>Optional Selections</b>	
Special per Engineering Order	-0
OEM Labeling	-2
Rear Cover, Terminal Strips for Sensor Connection	-3
Storm Door	-7

MODEL CODE - Dual pH/ORP/ISE Electrochemical Analyzer

<b>Description</b>	<b>Model</b>
Dual pH/ORP/ISE Electrochemical Analyzer	873DPX
<b>Supply Voltage and Frequency</b>	
120 V ac, 50/60 Hz	-A
220 V ac, 50/60 Hz	-B
240 V ac, 50/60 Hz	-C
24 V ac, 50/60 Hz	-E
100 V ac, 50/60 Hz	-J
<b>Measurement Output</b>	
0 to 20 mA dc, Isolated	E
4 to 20 mA dc, Isolated	I
0 to 10 V dc, Isolated	T
<b>Enclosure</b>	
Field, Metal, Panel Mounting	W
Field, Metal, Surface Mounting – Fixed	X
Field, Metal, Pipe Mounting	Y
Field, Metal, Surface Mounting – Movable	Z
<b>Electrical Certification</b>	
CSA Certified; General Purpose Locations	CGZ
CSA Certified, Nonincendive, Class I, Division 2	CNZ
FM Certified, General Purpose Locations	FGZ
FM Certified, Nonincendive, n	FNZ
No Electrical Certification	ZZZ
<b>Optional Selections</b>	
Special per Engineering Order	-0
OEM Labeling	-2
Storm Door	-7

MODEL CODE - pH Electrochemical Analyzer

<b>Description</b>	<b>Model</b>
pH Electrochemical Analyzer	873APH
<b>Supply Voltage and Frequency</b>	
120 V ac, 50/60 Hz	-A
220 V ac, 50/60 Hz	-B
240 V ac, 50/60 Hz	-C
24 V ac, 50/60 Hz	-E
100 V ac, 50/60 Hz	-J
<b>Measurement Output</b>	
0 to 20 mA dc, Isolated	E
4 to 20 mA dc, Isolated	I
0 to 10 V dc, Isolated	T
<b>Enclosure</b>	
General Purpose, Plastic, Panel Mounting	P
Field, Metal, Panel Mounting	W
Field, Metal, Surface Mounting – Fixed	X
Field, Metal, Pipe Mounting	Y
Field, Metal, Surface Mounting – Movable	Z
<b>Electrical Certification</b>	
CSA, Ordinary Locations (For use with Supply Voltages -A, -J, -E)	CGZ
CSA, Class I, Division 2, Groups A, B, C, and D Hazardous Locations (For use with Enclosures W, X, Y, Z and Supply Voltages -A, -J, -E)	CNZ
FM, Ordinary Locations	FGZ
FM Approved as Nonincendive; Zone 2; Division 2 (For use with Enclosures W, X, Y, Z)	FNZ
No Electrical Certification	ZZZ
<b>Optional Selections</b>	
NEMA 12 Rear Cover, Used with "P" Enclosure Only	-1
OEM Labeling	-2
Storm Door	-7



MODEL CODE - Contacting Conductivity Electrochemical Analyzer

<b>Description</b>	<b>Model</b>
Contacting Conductivity Electrochemical Analyzer	873ACC
<b>Supply Voltage and Frequency</b>	
120 V ac, 50/60 Hz	-A
220 V ac, 50/60 Hz	-B
240 V ac, 50/60 Hz	-C
24 V ac, 50/60 Hz	-E
100 V ac, 50/60 Hz	-J
<b>Measurement Output</b>	
0 to 20 mA dc, Isolated	E
4 to 20 mA dc, Isolated	I
0 to 10 V dc, Isolated	T
<b>Enclosure</b>	
General Purpose, Plastic, Panel Mounting	P
Field, Metal, Panel Mounting	W
Field, Metal, Surface Mounting – Fixed	X
Field, Metal, Pipe Mounting	Y
Field, Metal, Surface Mounting – Movable	Z
<b>Electrical Certification</b>	
CSA, Ordinary Locations (For use with Supply Voltages -A, -J, -E)	CGZ
CSA, Class I, Division 2, Groups A, B, C, and D Hazardous Locations (For use with Enclosures W, X, Y, X and Supply Voltages -A, -J, -E)	CNZ
FM, Ordinary Locations	FGZ
FM Approved as Nonincendive; Zone 2; Division 2 (For use with Enclosures W, X, Y, Z)	FNZ
No Electrical Certification	ZZZ
<b>Optional Selections</b>	
NEMA 12 Rear Cover, Used with “P” Enclosure Only	-1
OEM Labeling	-2
Storm Door	-7

MODEL CODE - Electrodeless Conductivity Electrochemical Analyzer

<b>Description</b>	<b>Model</b>
Electrodeless Conductivity Electrochemical Analyzer	873AEC
<b>Supply Voltage and Frequency</b>	
120 V ac, 50/60 Hz	-A
220 V ac, 50/60 Hz	-B
240 V ac, 50/60 Hz	-C
24 V ac, 50/60 Hz	-E
100 V ac, 50/60 Hz	-J
<b>Measurement Output</b>	
0 to 20 mA dc, Isolated	E
4 to 20 mA dc, Isolated	I
0 to 10 V dc, Isolated	T
<b>Enclosure</b>	
General Purpose, Plastic, Panel Mounting	P
Field, Metal, Panel Mounting	W
Field, Metal, Surface Mounting – Fixed	X
Field, Metal, Pipe Mounting	Y
Field, Metal, Surface Mounting – Movable	Z
<b>Electrical Certification</b>	
CSA, Ordinary Locations (For use with Supply Voltages -A, -J, -E)	CGZ
CSA, Class I, Division 2, Groups A, B, C, and D (For use with Enclosures W, X, Y, Z and Supply Voltages -A, -J, -E)	CNZ
FM Certified, Ordinary Locations	FGZ
FM Approved as Nonincendive; Zone 2; Division 2 (For use with Enclosures W, X, Y, Z)	FNZ
No Electrical Certification	ZZZ
<b>Optional Selections</b>	
NEMA 12 Rear Cover, Used with “P” Enclosure Only	-1
OEM Labeling	-2
Storm Door	-7

MODEL CODE - Resistivity Electrochemical Analyzer

<b>Description</b>	<b>Model</b>
Resistivity Electrochemical Analyzer	873ARS
<b>Supply Voltage and Frequency</b>	
120 V ac, 50/60 Hz	-A
220 V ac, 50/60 Hz	-B
240 V ac, 50/60 Hz	-C
24 V ac, 50/60 Hz	-E
100 V ac, 50/60 Hz	-J
<b>Measurement Output</b>	
0 to 20 mA dc, Isolated	E
4 to 20 mA dc, Isolated	I
0 to 10 V dc, Isolated	T
<b>Enclosure</b>	
General Purpose, Plastic, Panel Mounting	P
Field, Metal, Panel Mounting	W
Field, Metal, Surface Mounting – Fixed	X
Field, Metal, Pipe Mounting	Y
Field, Metal, Surface Mounting – Movable	Z
<b>Electrical Certification</b>	
CSA, Ordinary Locations (For use with Supply Voltages -A, -J, -E)	CGZ
CSA, Class I, Division 2, Groups A, B, C, and D Hazardous Locations (For use with Enclosures W, X, Y, Z and Supply Voltages -A, -J, -E)	CNZ
FM, Ordinary Locations	FGZ
FM Approved as Nonincendive; Zone 2; Division 2 (For use with Enclosures W, X, Y, Z)	FNZ
No Electrical Certification	ZZZ
<b>Optional Selections</b>	
NEMA 12 Rear Cover, Used with “P” Enclosure Only	-1
OEM Labeling	-2
Storm Door	-7

PARTS

Figure 1. Exploded View - Analyzer with General Purpose Enclosure

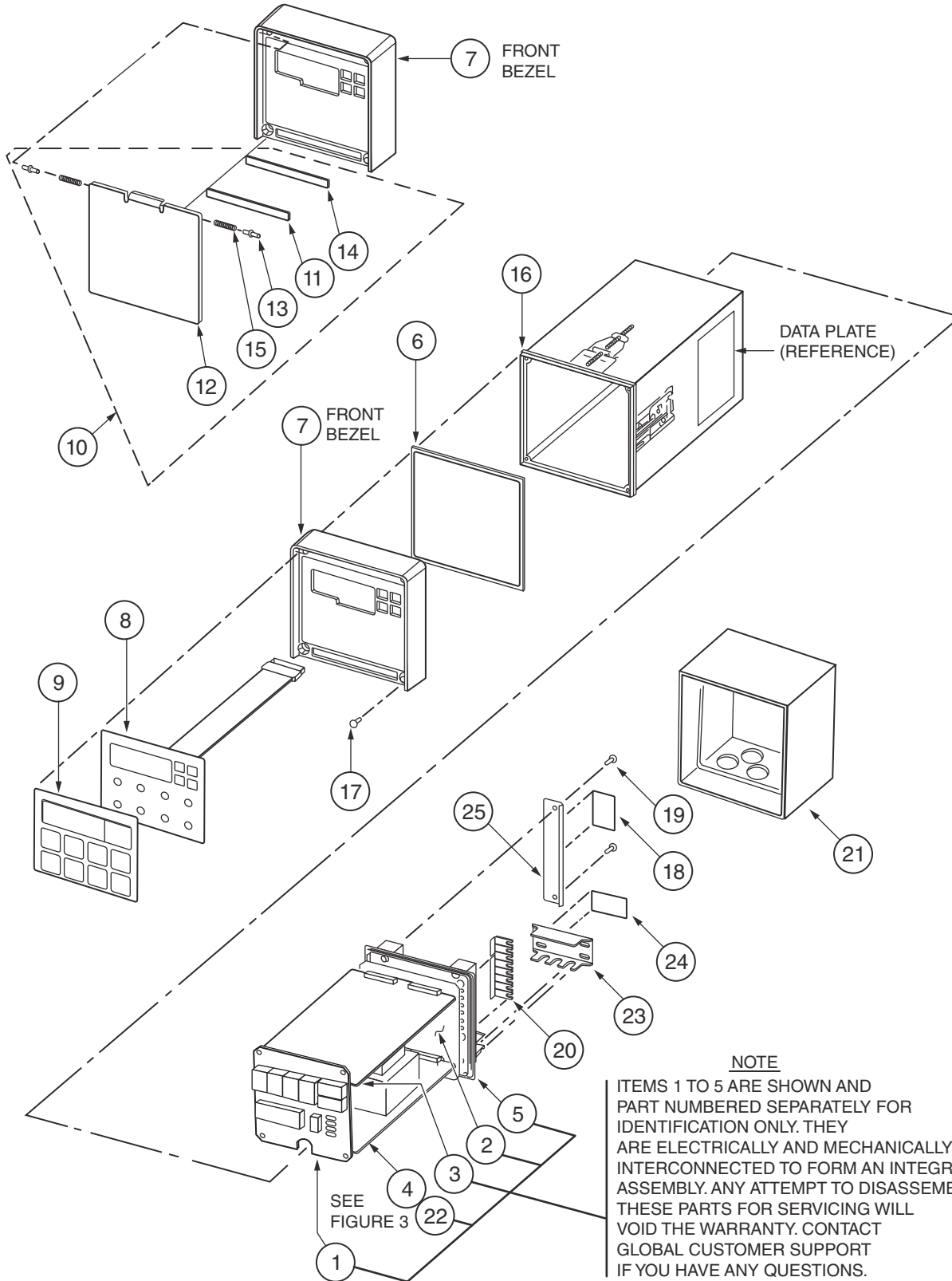


Table 1. Parts for Figure 1

Item	Part No.	Qty.	Part Name
1	SS600GY	1	Display PWA (a)
2	SS600HZ	1	Terminal Block PWB (a)
3	Below	1	Processor PWA (a)
	SS600JH		for pH/ORP (or pH Only) Measurement
	SS600GU		for Contacting Conductivity Measurement
	SS600GV		for Electrodeless Conductivity Measurement
	SS600GX		for Resistivity Measurement
	SS600HX		for Dissolved Oxygen Measurement
4	Below	1	Power Supply (a)
	SS600JT		for 100 and 120 V ac, 50/60 Hz
	SS600JU		for 220 and 240 V ac, 50/60 Hz
	SS600JV		for 24 V ac, 50/60 Hz
5	Below	1	Back Cover Assembly (a)
	BS806HP		for 873DO
	BS806DJ		for All Others
*6	BS806DW	1	Gasket
7	BS806DM	1	Front Bezel
8	BS806DQ	1	Keypad
9	Below	1	Keypad Overlay for
	BS806DT		873PH pH/ORP Analyzer
	BS806DR		873CC Contacting Conductivity Analyzer
	BS806DU		873EC Electrodeless Conductivity Analyzer
	BS806DS		873RS Resistivity Analyzer
	BS806KF		873DO Dissolved Oxygen Analyzer
	BS807RD		873APH pH Analyzer
	BS807RE		873ACC Contacting Conductivity Analyzer
	BS807RF		873AEC Electrodeless Conductivity Analyzer
	BS807RC		873ARS Resistivity Analyzer
10	BS806KT	1	Storm Door Kit
11	BS806EA	1	Latch Plate - with Storm Door Option
12	BS806DN	1	Storm Door - Optional
13	BS806DY	2	Pivot Pin - with Storm Door Option
14	BS806DZ	1	Magnetic Strip - with Storm Door Option
15	X0179CD	2	Spring - with Storm Door Option
16	X0178BE	1	General Purpose Enclosure
17	X0173QR	4	Screw, M2 x 0.4, 12 mm long
18	BS806JM	1	Label, Warning
19	A2003ZW	2	Screw, 0.112-40 x 2.25
20	X0175HZ	1	8-Position Jumper
21	BS805QK	1	Rear Cover Assembly, NEMA 12, Optional
*22	Below	1	Fuse Assembly, (located on Item 4, see Figure 4)
	P0156FL		1/2 A for 24 V ac Version
	P0156FK		1/8 A for 220 and 240 V ac Versions
	P0156FQ		150 mA for 100 and 120 V ac Versions

Table 1. Parts for Figure 1 (Continued)

<b>Item</b>	<b>Part No.</b>	<b>Qty.</b>	<b>Part Name</b>
23	X0175HX	1	Cover
24	B8003KC	1	Label
25	BS805QG	1	Cover, Terminal

a. Items 1, 2, 3, 4, and 5 are listed for reference only, and are not available separately.

Figure 2. Exploded View - Analyzer with Field (NEMA 4X) Enclosure

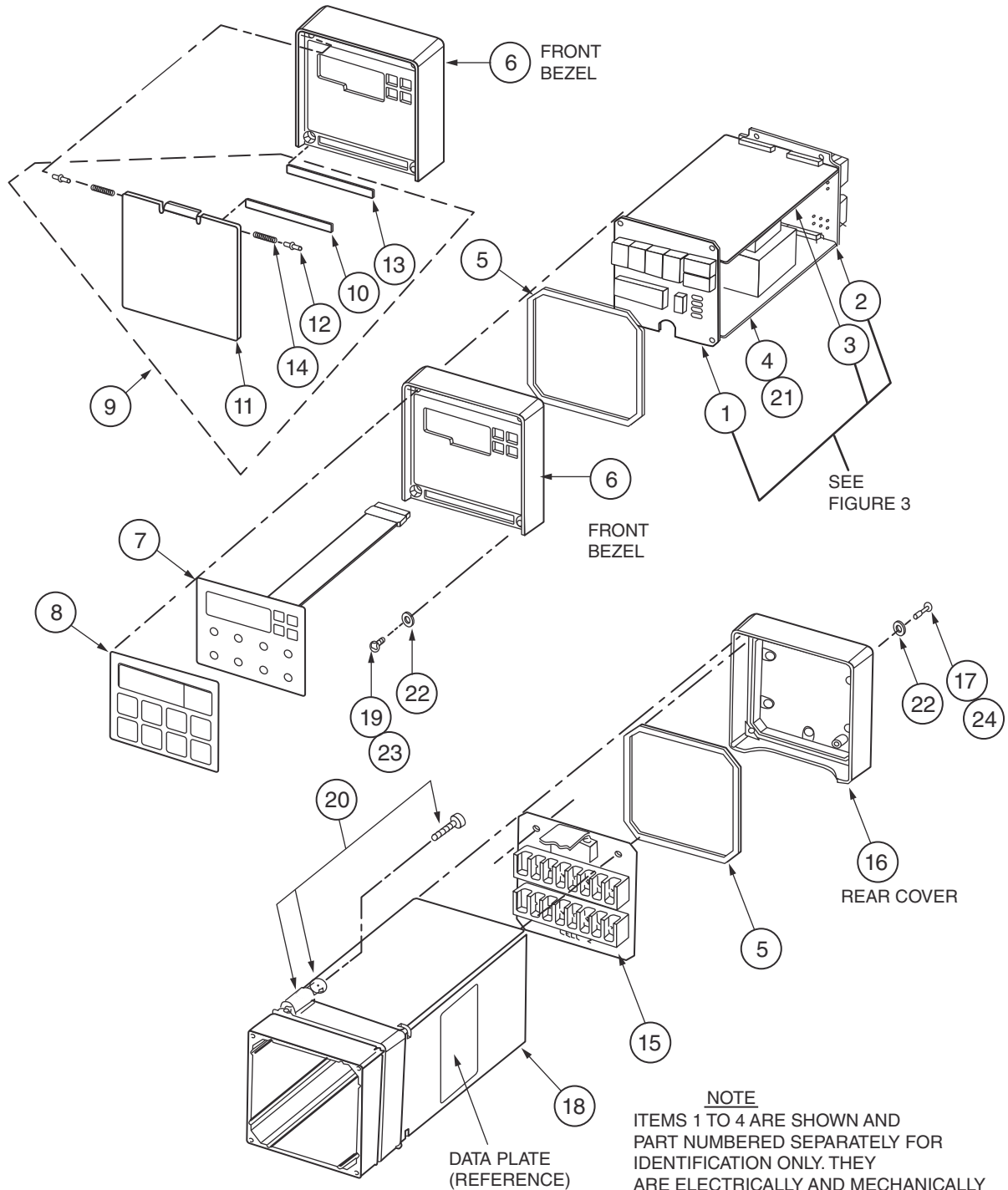


Table 2. Parts for Figure 2

Item	Part No.	Qty.	Part Name
1	SS600GY	1	Display PWA (a)
2	Below		Terminal Block PWA (a)
	SS600JA		For 873DO
	SS600JJ		For 873DPX
	SS600JF		For All Others
3	Below	1	Processor PWA (a)
	SS600JH		For pH/ORP (or pH Only) Measurement
	SS600GU		For Contacting Conductivity Measurement
	SS600GV		For Electrodeless Conductivity Measurement
	SS600GX		For Resistivity Measurement
	SS600HX		For Dissolved Oxygen Measurement
	SS600JH		For Dual pH/ORP/ISE Measurement
4	Below	1	Power Supply (a)
	SS600JT		For 100 and 120 V ac, 50/60 Hz
	SS600JU		For 220 and 240 V ac, 50/60 Hz
	SS600JV		For 24 V ac, 50/60 Hz
*5	BS806EC	2	Gasket
6	BS806DD	1	Front Bezel
7	BS806DQ	1	Keypad
8	Below	1	Keypad Overlay for
	BS806DT		873PH pH/ORP Analyzer
	BS806DR		873CC Contacting Conductivity Analyzer
	BS806DU		873EC Electrodeless Conductivity Analyzer
	BS806DS		873RS Resistivity Analyzer
	BS806KF		873DO Dissolved Oxygen Analyzer
	BS806MQ		873DPX Dual pH/ORP/ISE Analyzer
	BS807RD		873APH pH Analyzer
	BS807RE		873ACC Contacting Conductivity Analyzer
	BS807RF		873AEC Electrodeless Conductivity Analyzer
	BS807RC		873ARS Resistivity Analyzer
9	BS806KT	1	Storm Door Kit
10	BS806EA	1	Latch Plate - with Storm Door Option
11	BS806DN	1	Storm Door - Optional
12	BS806DY	2	Pivot Pin - with Storm Door Option
13	BS806DZ	1	Magnetic Strip - with Storm Door Option
14	X0179CD	2	Spring - with Storm Door Option
15	SS600JM	1	PWA, Rear Cover Terminal Strips (For Standard 873DPX or 873DO with -3 Option Only)
16	BS806DE	1	Rear Cover
17	BS806DX	4	Captive Screw, 0.138-32
18	BS806DF	1	Field (NEMA 4X) Enclosure
19	X0173NP	4	Screw, 0.138-32 x 0.5



Table 2. Parts for Figure 2 (Continued)

Item	Part No.	Qty.	Part Name
20	BS806FU	1	Kit for Field Mounting to Panel
		1	Plastic Clamp
		1	Clamp Latch
		2	Screw, 0.164-32 x 1.75
	Below	1	Fuse Assembly, (located on Item 4, see Figure 4)
*21	P0156FL		1/2 A for 24 V ac Version
	P0156FK		1/8 A for 220 and 240 V ac Version
	P0156FQ		150 mA for 100 and 120 V ac Version
22	U0120BP	8	Nylon Washer, 0.128
23	S0106ML	–	Adhesive (Loctite 222)
24	X0114AT	–	Lubricant (Lubriplate Aero)

a. Items 1, 2, 3, and 4 are listed for reference only, and are not available separately.

Figure 3. Power Supply Assembly

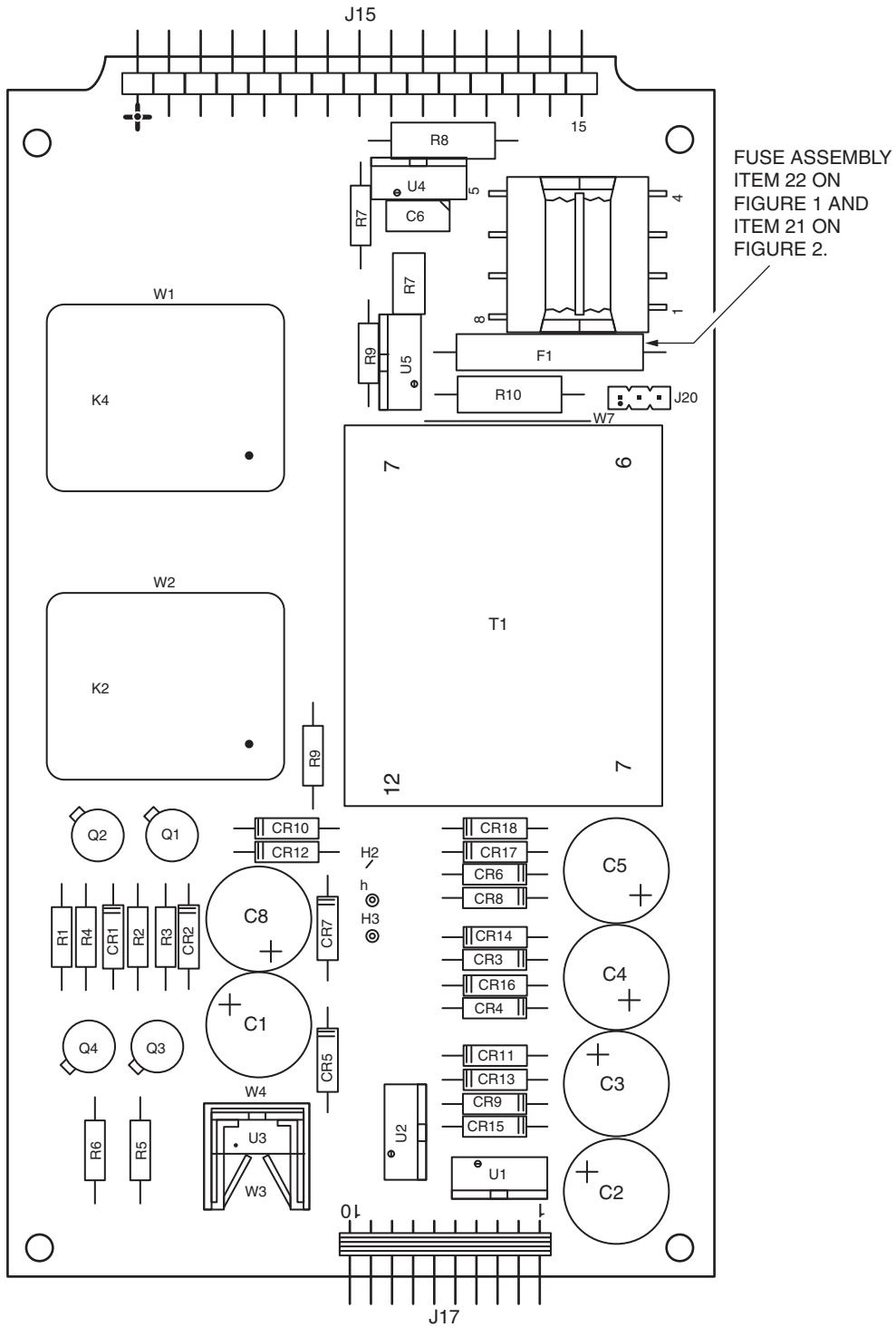


Figure 4. Parts for Field Enclosure, Pipe and Surface Mounting - Fixed

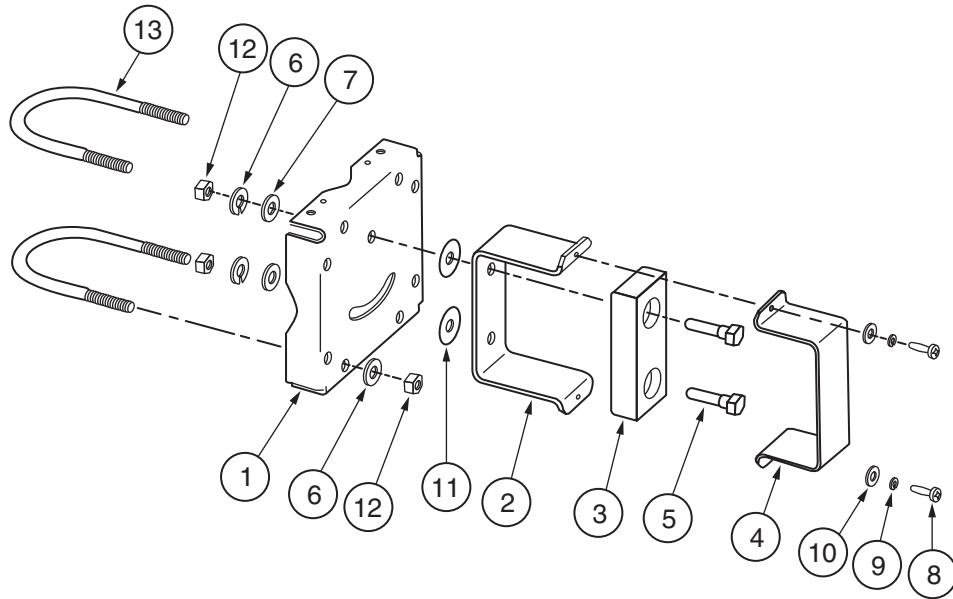


Table 3. PARTS FOR FIELD ENCLOSURE, PIPE AND SURFACE MOUNTING - FIXED  
(Figure 4, Figure 5, and Figure 6)

Item	Part No.	Qty.	Part Name
-	BS806FE	-	Pipe Mounting Kit
-	BS806FF	-	Surface Mount (Fixed) Kit
1	BS806EV	1	Mounting Bracket
2	BS806EW	1	Support Bracket
3	BS806EY	1	Spacer
4	BS806EX	1	Strap Clamp
5	X0118EK	2	Hex Bolt, 0.312-18 x 1.25
6	A2015AB	6	Lockwasher, 0.312
7	X0143AZ	2	Flat Washer, 0.312
8	X0127DG	2	Screw, 0.190-32 x 0.62
9	A2015AA	2	Lockwasher, 0.190
10	X0102CC	2	Flat Washer, 0.190
11	BS806FH	2	Nylon Washer, 0.320 x 1.00 x 0.031
12	X0142BW	6	Hex Nut, 0.312
13	N0126KC	2	U-Bolt, for 2-in Pipe

Figure 5. Pipe Mounting

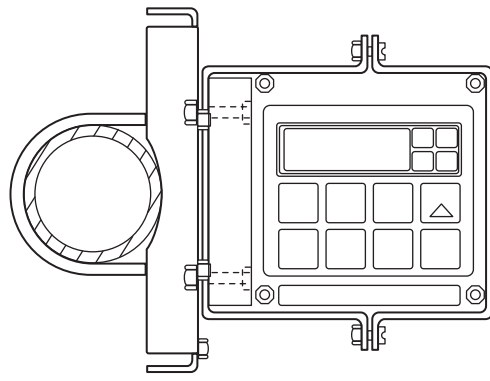


Figure 6. Surface Mounting - Fixed

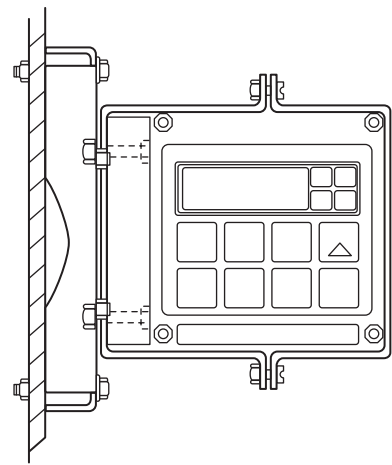
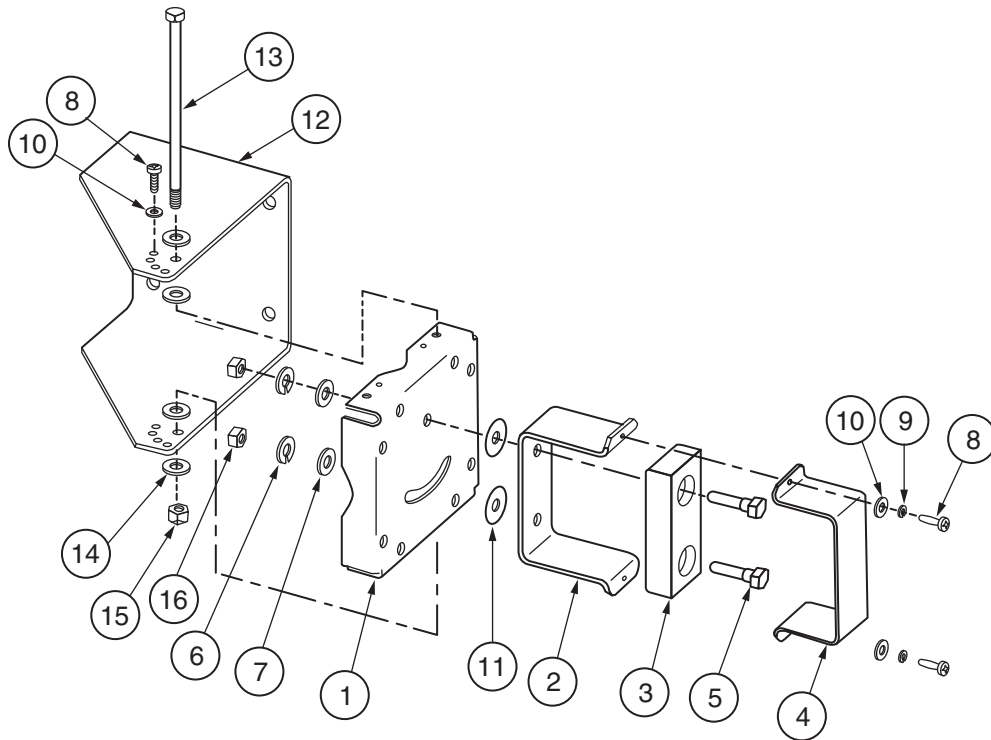
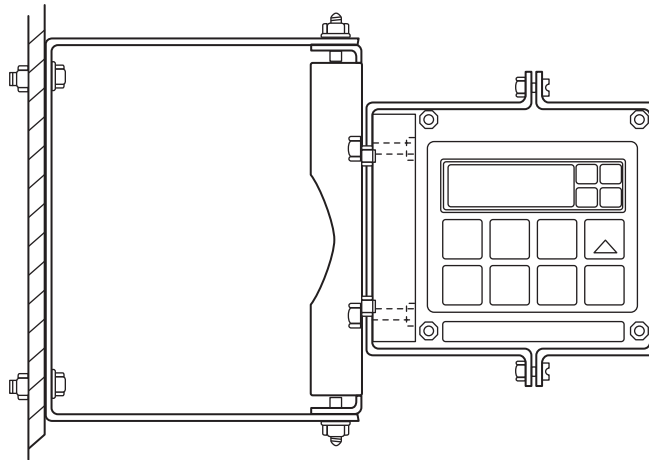


Figure 7. Parts for Field Enclosure, Surface Mounting - Movable

Table 4. PARTS FOR FIELD ENCLOSURE, SURFACE MOUNTING - MOVABLE  
(Figure 7 and Figure 8)

Item	Part No.	Qty.	Part Name
-	BS806FD	-	Surface Mount (Movable) Kit
1	BS806EV	1	Mounting Bracket
2	BS806EW	1	Support Bracket
3	BS806EY	1	Spacer
4	BS806EX	1	Strap Clamp
5	X0118EK	2	Hex Bolt, 0.312-18 x 1.25
6	A2015AB	2	Lockwasher, 0.312
7	X0143AZ	2	Flat Washer, 0.312
8	X0127DG	3	Pan Hd Screw, 0.190-32 x 0.62
9	A2015AA	2	Lockwasher, 0.190
10	X0102CC	3	Flat Washer, 0.190
11	BS806FH	2	Nylon Washer, 0.320 x 1.00 x 0.031
12	BS806EZ	1	Wall Bracket
13	BS806FA	1	Pivot Bolt, 0.25-20
14	X0166FS	4	Nylon Washer, 0.25
15	X0171SR	1	Locking Nut, 0.25-20
16	X0142BW	2	Hex Nut, 0.312-18

Figure 8. Surface Mounting - Movable



RECOMMENDED SPARE PARTS SUMMARY

Figure Number	Item Number	Part Number	Part Name	Number of Parts Recommended for		
				1 Inst.	5 Inst.	20 Inst.
1 (General Purpose Enclosure)	6	BS806DW	Gasket	0	1	3
	22	Below P0156FL P0156FK P0156FQ	Fuse Assembly 1/2 A for 24 V ac Version 1/8 A for 220 and 240 V ac Versions 150 mA for 100 and 120 V ac Versions	2	6	12
2 (Field Enclosure, NEMA 4X)	5	BS806EC	Gasket	0	2	6
	21	Below P0156FL P0156FK P0156FQ	Fuse Assembly 1/2 A for 24 V ac Version 1/8 A for 220 and 240 V ac Versions 150 mA for 100 and 120 V ac Versions	2	6	12