

I/A Series® Magnetic Flow Transmitters
–
Model IMT96 MagEXPERT™
Intelligent Magnetic Flow Transmitter
–
with HART Communication Protocol
or
with FoxCom™ Communication Protocol
–
Style A

Give instrument Model Code when ordering.
*Parts preceded by an asterisk are recommended spare parts.
See Recommended Spare Parts Summary section for quantities.

TO ORDER PARTS, CALL 1-866-746-6477.

MODEL CODE

Description	Model
I/A Series MagEXPERT Intelligent Magnetic Flow Transmitter	IMT96
Transmitter Mounting	
Pipe Mounting	-P
Surface, Wall, or Panel Mounting	-S
Language	
English Only	E
Nominal Supply Voltage and Frequency	
120 V ac, 60 Hz	A
230 V ac, 50 Hz	B
240 V ac, 60 Hz	C
Communication Protocol	
FoxCom Communication Protocol	D
HART Communication Protocol	T
Integral LCD Indicator/Keypad	
No LCD Indicator/Keypad	A
LCD Indicator with Wide Angle Display and Keypad (a)	B
Transmission Signal Output (b)	
Internally Powered, 4 to 20 mA and Superimposed Digital Signal (1200 Baud HART or 600 Baud FoxCom)	1
Externally Powered, 4 to 20 mA and Superimposed Digital Signal (1200 Baud HART or 600 Baud FoxCom)	2
Internally Powered, Digital Signal; 4800 Baud FoxCom only	3
Externally Powered, Digital Signal; 4800 Baud FoxCom only	4
Pulse Output Signal (b)(c)	
OFF	0
ON, Internally Powered	1
ON, Externally Powered	2
Electrical Safety Classification	
CSA, Suitable for Class I, II, III, Division 2	L
FM, Nonincendive, Class I, II, III, Division 2	N
No Certification Required	Z
Optional Selections	
I/O Access Port	-A
Protective Cover Assembly for LCD Indicator/Keypad	-B
Terminal Block for 90° Insertion Plug (Replaces Lug Type Block)	-C
Cable Glands (Nonconduit Applications) Not for Electrical Classification Code L or N Not with 240 V ac Supply Voltage	-G

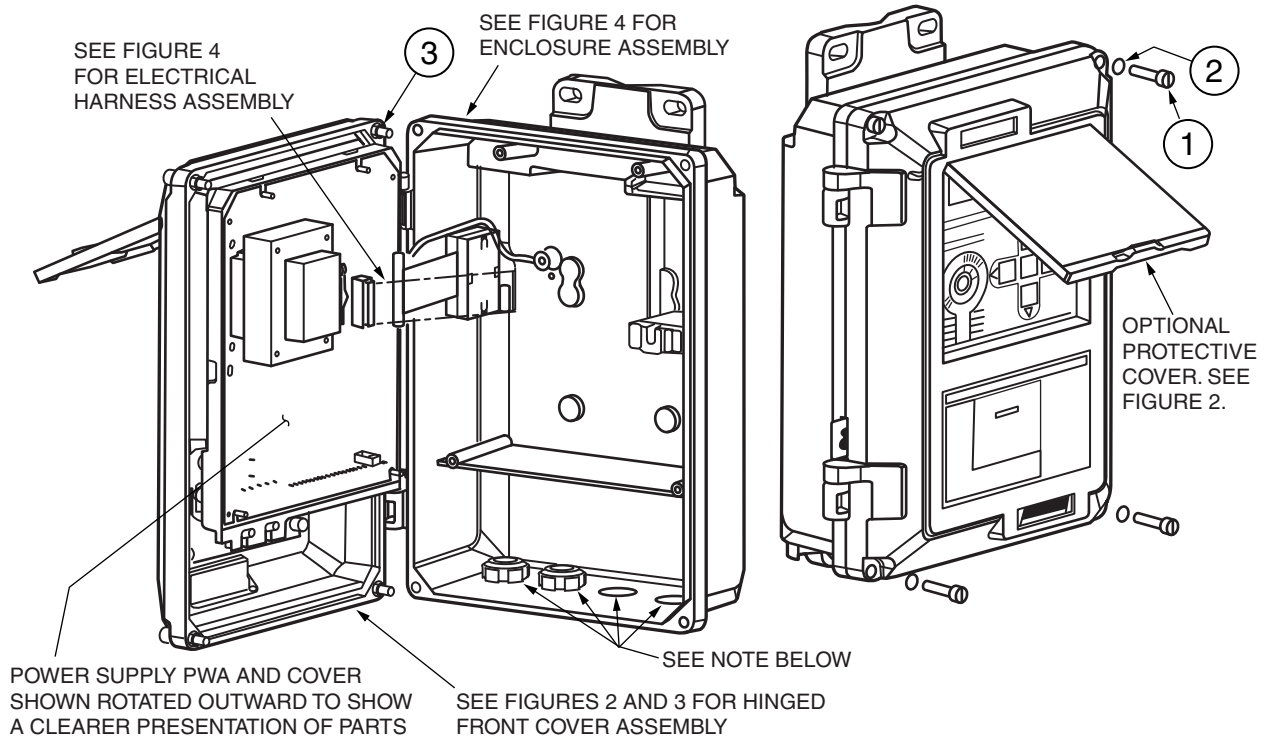
(a) The LCD Indicator has ambient temperature limits of -20 and +70°C (-4 and +158°F).

(b) Internal versus external power can be changed in the field by switch selection.

(c) Pulse output can be configured as either a scaled Pulse Output, or a Frequency Output.

PARTS

Figure 1. IMT96 MagEXPERT
INTELLIGENT MAGNETIC FLOW TRANSMITTER

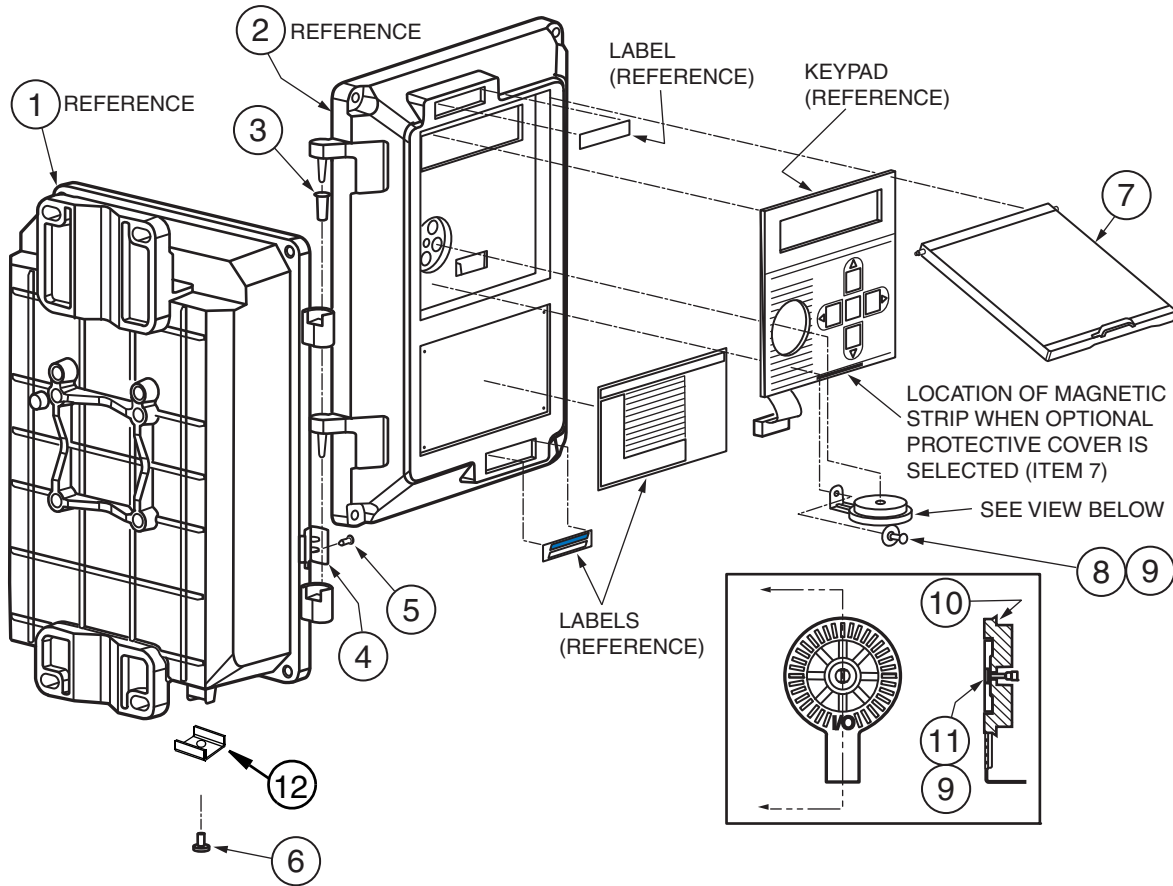


Item	Part No.	Qty.	Part Name
*1	X0173RY	4	Screw, Fillister Hd, Slotted, 0.190-32 x 0.75
*2	X0173XD	4	Washer, Nylon, 0.190
*3	C0100CK	4	O-Ring, Buna-N, 0.203 to 0.213 I.D.

— NOTE —

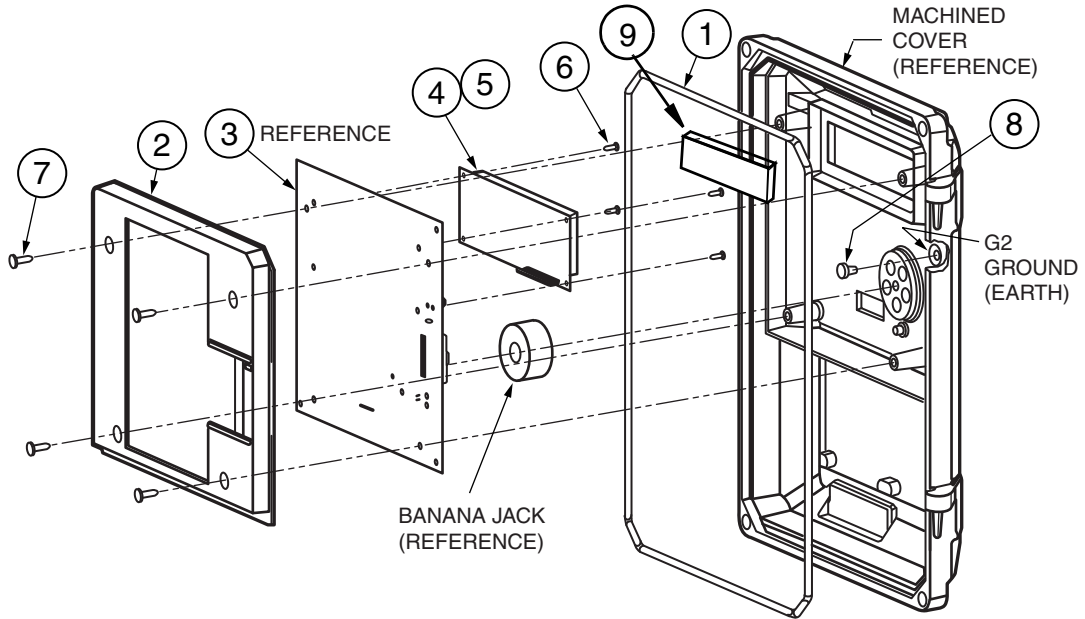
The transmitter is shipped with two plastic cap plugs and two NEMA 4X plugs. The cap plugs are used to prevent dust ingress during handling and shipment, and are not intended for use at installation. The NEMA 4X plugs are required to plug unused conduit holes in order to maintain NEMA 4X protection of the transmitter. For nonconduit installations, optional cable glands can be provided for cable entry as shown in Figure 5.

Figure 2. IMT96 MagEXPERT
INTELLIGENT MAGNETIC FLOW TRANSMITTER



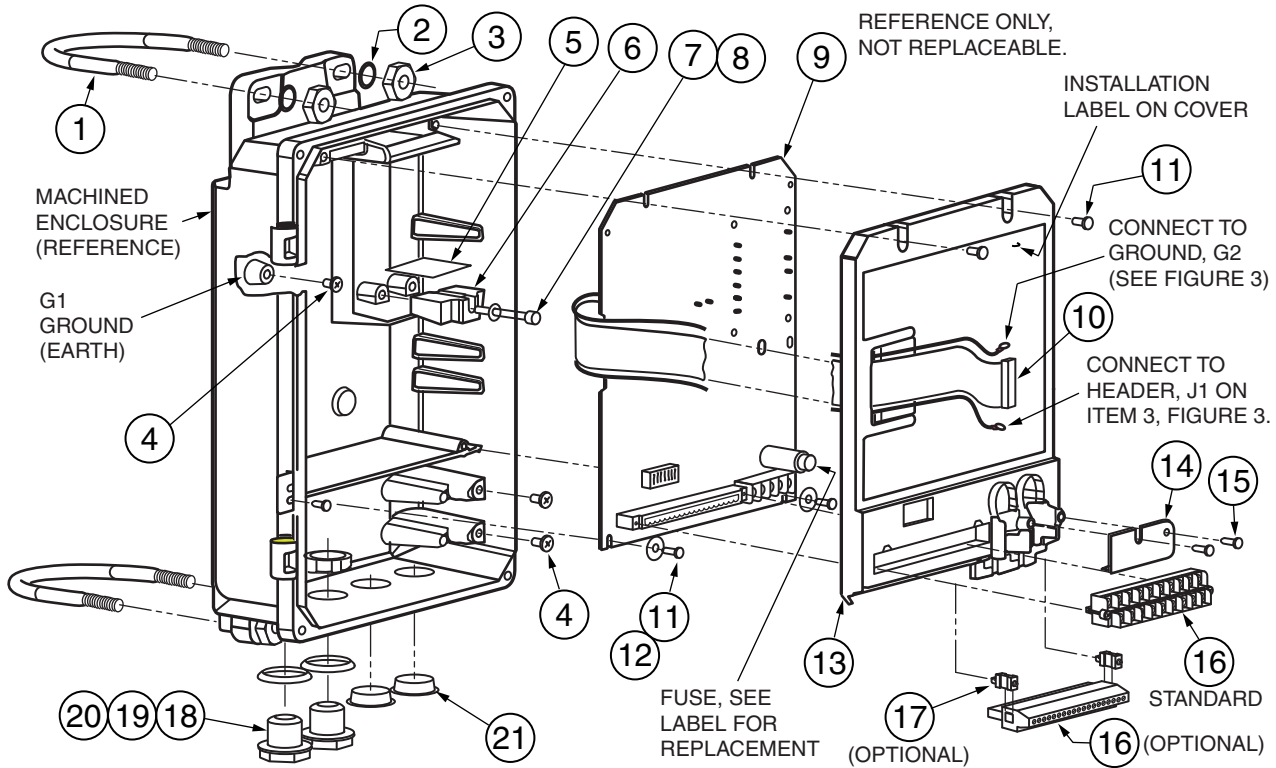
Item	Part No.	Qty.	Part Name
1	—	1	Enclosure, Machined (Reference)
2	—	1	Cover, Machined (Reference)
*3	L0400AY	2	Hinge Bushing
4	L0400AK	1	Door Stop
5	X0173YR	1	Screw, Torx Pan Head, 0.164-32 x 0.312
6	X0173ZV	1	Screw, Ground
*7	L0123AY	1	Protective Cover Assembly for LCD Indicator/Keypad (Option "-B")
*8	A2003ZY	1	Screw, Pan Hd, 0.112-40 x 0.375 (Part of "-A" Access Port Option)
*9	X0173TV	2	Washer, 0.112 (Part of "-A" Access Port Option)
*10	L0123AR	1	Access Port Plug (Part of "-A" Access Port Option)
*11	X0173TB	1	Screw, Captive 0.112-40 x 0.312 (Part of "-A" Access Port Option)
12	L0400BE	1	Clamp, Plated

Figure 3. IMT96 MagEXPERT
INTELLIGENT MAGNETIC FLOW TRANSMITTER



Item	Part No.	Qty.	Part Name
*1	L0400AH	1	Gasket, Cover
2	L0400AE	1	Cover, Signal PWA
3	Below	1	Signal PWA (Reference only)
	—		FoxCom Communication Protocol
	—		HART Communication Protocol
4	—	1	LCD Indicator Assembly (If Selected, Reference only)
5	—	1	Wire Saddle (If Item 4 is Selected, Reference only)
6	A2003ZW	4	Screw, Pan Head, 4-40 (If Item 4 is Selected)
7	X0169RT	4	Screw, Cross-Recess, 0.138-32 x 0.375
8	X0169SB	1	Screw, Self-Tapping, 0.164-32 x 0.312
9	L0400BF	1	Window Backer

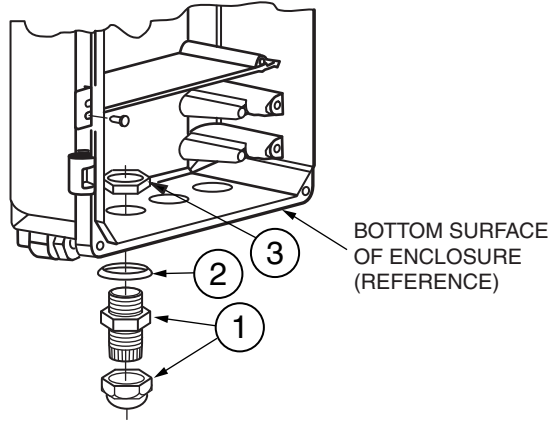
Figure 4. IMT96 MagEXPERT
INTELLIGENT MAGNETIC FLOW TRANSMITTER



Item	Part No.	Qty.	Part Name
1	N1205MX	2	U-Bolt (If Pipe Mounting "-P" is Selected)
2	A2015AB	4	Washer, 0.312 (If Item 1 is Selected)
3	X0142BW	4	Nut, 0.312-18 (If Item 1 is Selected)
4	X0169SB	5	Screw, Self-Tapping, 0.164-32 x 0.312
5	L0400AV	2	Slip Plate
6	L0400AJ	1	Transformer Wedge
7	X0173EH	1	Screw, 0.190-32 x 1.375
8	X0143FC	1	Washer, Flat, 0.190
9	-	1	Power Supply PWA (Reference only)
10	L0400AT	1	Harness Assembly, Electrical (Flat Cable)
11	X0169RT	4	Screw, Self-Tapping, 0.138-32 x 0.375
12	C0128CM	2	Washer, 0.138
13	-	1	Cover, Power Supply PWA (Reference only)
*14	L0400AG	1	Cover, Coil/Power Terminals
*15	X0166FT	2	Screw, Pan Head, 0.138-32 x 0.250
*16	Below	1	Terminal Block
	X0175PV		Lug Type, Standard with Transmitter
	X0175PS		For 90° Insertion Plug (Optional Selection "-C")
*17	X0175PT	2	Locking Block (Used with X0175PS Terminal Block above)
18	L0123CA	2	Plug, NEMA 4X, 1/2 NPT (See Note on Page 3)
19	X0201ED	2	Sealing Ring (Buna-N Seal)

Item	Part No.	Qty.	Part Name
20	X0173UP	2	Locknut, Nylon, 1/2 NPT
21	S0102AW	2	Cap Plug, Polyethylene (See Note on Page 3)

Figure 5. OPTIONAL CABLE GLANDS FOR NONCONDUIT APPLICATIONS, OPTION "-G"



Item	Part No.	Qty.	Part Name
1	X0172WG	4	Bushing Assembly, 1/2 NPT
2	X0201ED	4	Sealing Ring (Buna-N Seal)
3	X0173UP	4	Locknut, Nylon, 1/2 NPT

RECOMMENDED SPARE PARTS SUMMARY

Figure Number	Item Number	Part Number	Part Name	Number of Parts Recommended for		
				1 Inst.	5 Inst.	20 Inst.
1	1	X0173RY	Screw, Fil. Hd, 0.190-32 x 0.75	1	2	5
	2	X0173XD	Washer, Nylon, 0.190	1	2	5
	3	C0100CK	O-Ring, Buna-N, 0.203 to 0.213 I.D.	1	2	5
2	3	L0400AY	Hinge Bushing	1	2	5
	7	L0123AY	Protective Cover Assembly (Option "-B")	1	3	5
	8(a)	A2003ZY	Screws, Pan Hd, 0.112-40 x 0.375	1	3	5
	9(a)	X0173TV	Washer, 0.112	1	2	5
	10(a)	L0123AR	I/O Port Plug	1	3	5
	11(a)	X0173TB	Captive Screw	1	3	5
	3	1	L0400AH	Gasket, Cover	1	3
4	14	L0400AG	Wire Cover	1	2	5
	15	X0166HV	Screw, Pan Hd, 0.138-32 x 0.250	2	4	10
	16	Below X0175PV X0175PS(b)	Terminal Block Lug Type, Standard with Transmitter For 90° Insertion Plug (Optional)	1	2	4
	17	X0175PT(c)	Locking Block; Used with Optional Terminal Block X0175PS	2	4	8

(a) Figure 2, Items 8, 9, 10, and 11 are parts associated with the I/O Access Port Option ("-A").

(b) If the optional insertion plug type terminal block ("-C" option) is selected, it replaces the standard lug type terminal block.

(c) The locking blocks (2) are only used when optional terminal block X0175PS is selected.

— NOTE —

Optional items listed above are recommended as spares only if that option was selected with the transmitter sales order.