

**IMT25L I/A Series[®] Magnetic Flow Transmitter
Style A**

Give instrument Model Code when ordering.
*Parts preceded by an asterisk are recommended spare parts.
See Recommended Spare Parts Summary section for quantities.

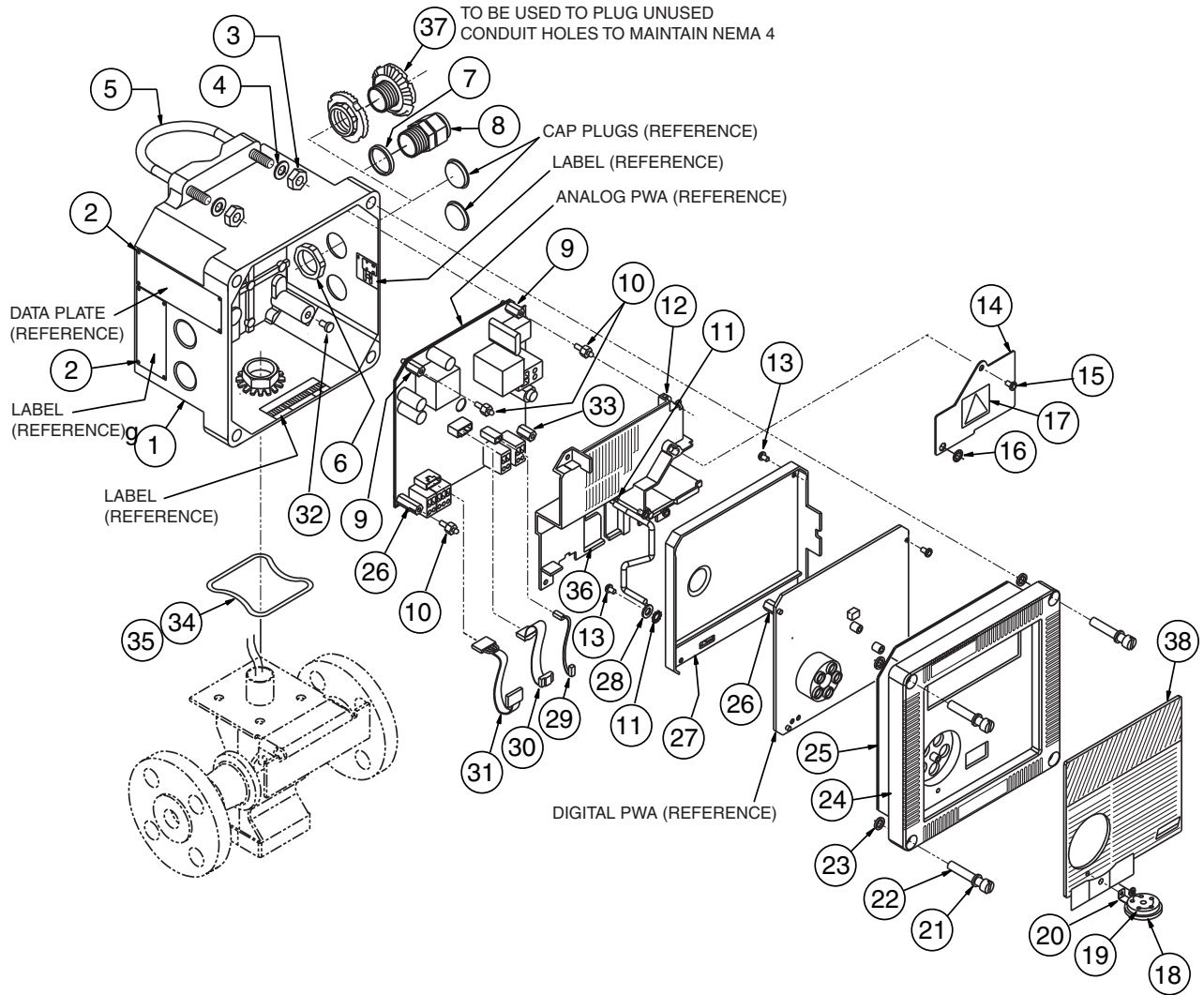
TO ORDER PARTS, CALL 1-866-746-6477.

MODEL CODE

Description	Model
I/A Series Magnetic Flow Transmitter	IMT25L
Transmitter Mounting	
Pipe Mounting	-P
Surface or Wall Mounting	-S
Flowtube Mounting	-I
Language	
English/German	-D
Nominal Supply Voltage and Frequency	
85 to 264 V ac, 47 to 63 Hz	A
24 V dc	B
Digital Communication Protocol	
FoxCom Protocol	D
Integral Display/Keypad	
None	A
Transmission Signal Output	
4 to 20 mA and Digital (600 Baud), Externally Powered	2
Digital (4800 Baud), Externally Powered	4
Pulse Output Signal	
None	0
Electrical Safety	
CSA, Ordinary Locations	K
CSA, Class I, Division 2	L
FM, Ordinary Locations	M
FM, Class I, Division 2, Nonincendive	N
European Zone 2	U
No Certification Required	Z
Optional Selections(s)	
I/O Port	-A
Cable Glands for Nonconduit Applications	-G
(not available with Electrical Safety Codes L and N)	

PARTS

Figure 1. IMT25L I/A Series Magnetic Flow Transmitter



Item	Part No.	Qty.	Part Name
1	Ref.	1	Housing (not replaceable)
2	B1276ZU	8	Screw
3	X0142BW	4	Nut, 5/16-18
4	A2015AB	4	Washer, 5/16
5	L0123BV	2	U-Bolt
6	X0173UP	7	Nut, Nylon (Model Code Option -G)
7	X0201ED	7	Sealing Ring (Model Code Option -G)
8	X0172WG	7	Gland Fitting (Model Code Option -G)
9	X0201EB	2	Standoff
*-	P0156FX	1	Metric Fuse, 1 A, 250 V ac
*-	P0156FY	1	Metric Fuse, 2 A, 250 V dc

Item	Part No.	Qty.	Part Name
10	X0201EL	3	Standoff, Nylon
11	X0143RK	2	Washer, Lock
12	L0123AH	1	Cover, Analog
13	X0166HV	7	Screw
14	L0123AJ	1	Cover, Line Power
15	X0173TL	1	Screw, Captive
16	X0171FJ	1	Retaining Ring
17	Below	1	Label, Warning
	B0171BX		for 85 to 264 V ac
	B0189GU		for 24 V dc
*18	A2003ZY	1	Screw (Model Code Option –A)
*19	L0123BK	1	I/O Plug Assembly (Model Code Option –A)
*20	X0173TV	1	Washer (Model Code Option –A)
21	X0173XD	4	Washer, Nylon
22	X0173RY	4	Screw
23	C0100CK	4	O-Ring
24	L0123AE	1	Bezel (must also select Item 38 below)
*25	L0123AQ	1	Gasket
26	A2033FS	5	Standoff
27	L0123AG	1	Shield, Digital
*28	L0123BZ	1	Cable Assembly, Earth (Ground)
*29	L0123BP	1	Cable, 2-Pin
*30	L0123AL	1	Cable Assembly
*31	L0123BL	1	Cable, 5-Pin
*32	X0169SB	2	Screw, Earth (Ground)
33	X0201DN	1	Standoff
*34	L0123AZ	1	Gasket (Model Code Suffix –I only)
35	X0170BA	A/R	Adhesive
36	B0189GJ	1	Label, Contact
37	L0123CE	A/R	Plug, Cast with Nuts
38	Below	1	Keyboard (must also select Item 24 above)
	B0189JA		Blank Keyboard
	B0189JC		Blank Keyboard, I/O

RECOMMENDED SPARE PARTS SUMMARY

Figure Number	Item Number	Part Number	Number of Parts Recommended for			Part Name
			1 Inst.	5 Inst.	20 Inst.	
1	--	P0156FX	1	2	5	Metric Fuse, 1 A, 250 V ac
1	--	P0156FY	1	2	5	Metric Fuse, 2 A, 250 V dc
1	18	A2003ZY	1	3	5	Screw (Model Code Option –A)
1	19	L0123BK	1	3	5	I/O Plug Assy (Model Code Option –A)
1	20	X0173TV	1	3	5	Washer (Model Code Option –A)
1	25	L0123AQ	1	2	5	Gasket
1	28	L0123BZ	1	2	5	Cable Assy, Earth (Ground)
1	29	L0123BP	1	2	5	Cable, 2-Pin
1	30	L0123AL	1	2	5	Cable Assy
1	31	L0123BL	1	2	5	Cable, 5-Pin
1	32	X0169SB	2	6	10	Screw, Earth (Ground)
1	34	L0123AZ	1	2	5	Gasket (Model Code Suffix –I only)

