

# Foxboro® EP459A Series

## Fluoride Sensor Assembly



### EP459A Series Description

The EP459A fluoride sensor assembly provides continuous on-line measurement of fluoride ion concentration in industrial and municipal water streams. It comes complete with fluoride ISE, reference electrode, solution ground, 100Ω platinum RTD temperature element, and integral flow cell. The cell has 1/2" NPT inlet and outlet ports for connection to process water. The sensor assembly also includes mounting hardware for convenient surface- or 2" pipemounting.

The rugged design of the sensor assembly provides long life, while its modular electrodes and flow cell allow for easy maintenance and calibration. The fluoride ISE and the reference electrode are both field-replaceable.

The fluoride sensor assembly is compatible with Foxboro analyzer Model 873DPX and transmitter Model 870ITPH.

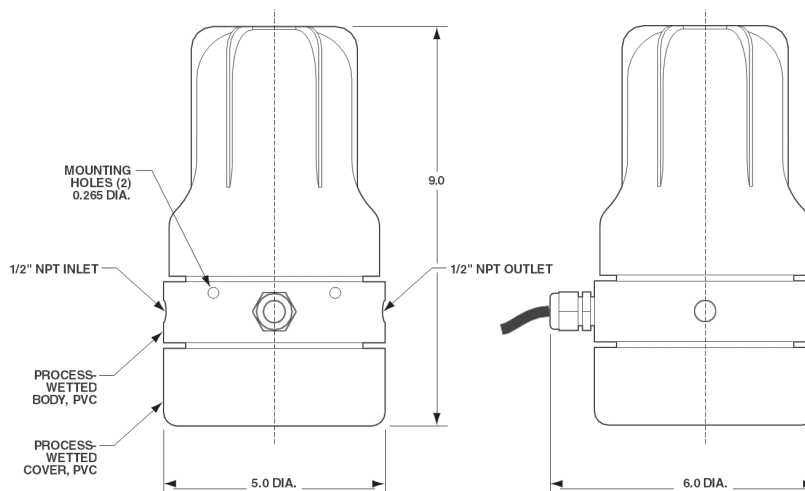
This unit is ideal for monitoring the fluoridation of municipal drinking water supplies. It requires no chemical reservoirs, pumps, or chemical additions.

### Features / Benefits

- Continuous on-line fluoride measurement
- Ideally suited for monitoring of fluoride addition to municipal drinking water supplies
- Automatic temperature compensation provides temperature-corrected fluoride measurements
- No pumps, reservoirs, or chemical additions are required

# EP459A Series

## Fluoride Sensor Assembly



### Specifications

<b>Fluoride Measurement Range:</b>	Saturation to 0.02 ppm
<b>Operative Temperature Range:</b>	0 to +60°C
<b>Sample pH Range:</b>	pH 4 to pH 10
<b>Temperature Measurement:</b>	2-wire, 100Ω RTD
<b>Min/Max Flow Range:</b>	5 to 30 gallons/hour
<b>Maximum Operating Pressure:</b>	100 psi
<b>Bottom Chamber Internal Volume:</b>	100 ml
<b>Cable Length:</b>	20 feet
<b>Process-Wetted Materials:</b>	PVC, 316 ss, epoxy electrode, EPM O-rings, LaF3 fluoride crystal, ceramic reference junction

**Approved by FM as intrinsically safe and nonincendive when used with transmitter 870ITPH.**

### Ordering Information

<u>Part No.</u>	<u>Description</u>
<b>EP459A</b>	Fluoride sensor assembly, complete. Requires transmitter Model 870ITPH or Model 873DPX
<b>Q0105AX</b>	100 ppm fluoride standard solution, for calibration. TISAB buffer available through Fischer Scientific, part number 13-641-874.

Foxboro  
 38 Neponset Ave., Foxboro Massachusetts 02035 USA  
 Toll free within USA: 1-866-746-6477  
 Global: +1-508-549-2424  
 www.fielddevices.Foxboro.com

Life Is On **Foxboro**  
 by Schneider Electric