

1 2 3 4 5 6 7 8 9 10

A

B

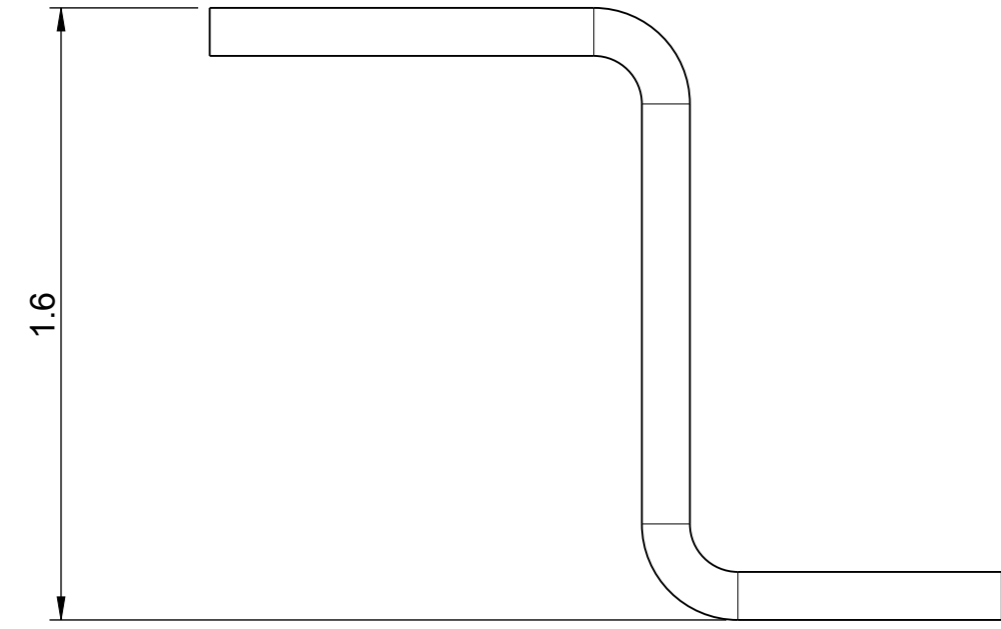
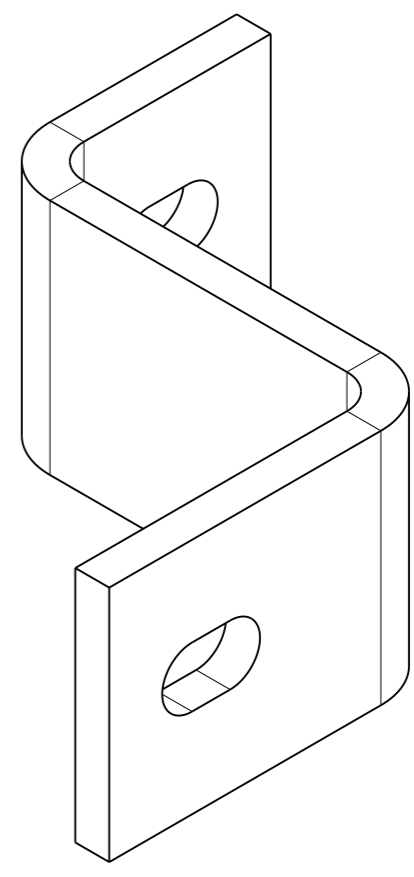
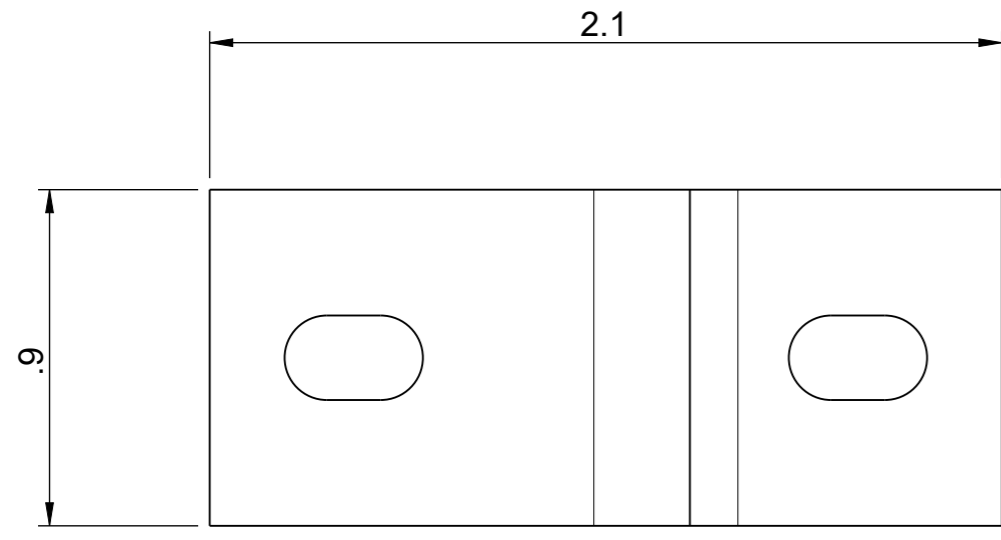
C

D

A

B

C



	Scale: 2:1	Technical Specification: Not Applicable	Units of measure : INCHES	
		Document Description: nfcrbond8.drw		
		Document Number: NFCRBOND8	Doc. Rev.	Sheet: 1/1
<small>The information is highly confidential and is the exclusive property of Schneider Electric. Copyright reserved. This drawing must not be used for any purpose other than that expressly permitted in writing by the owners and must not be disclosed or reproduced in any way without permission from the owners in writing. This drawing must be returned to the owners when the purpose has ceased.</small>		State: <b>Provisional</b>		