

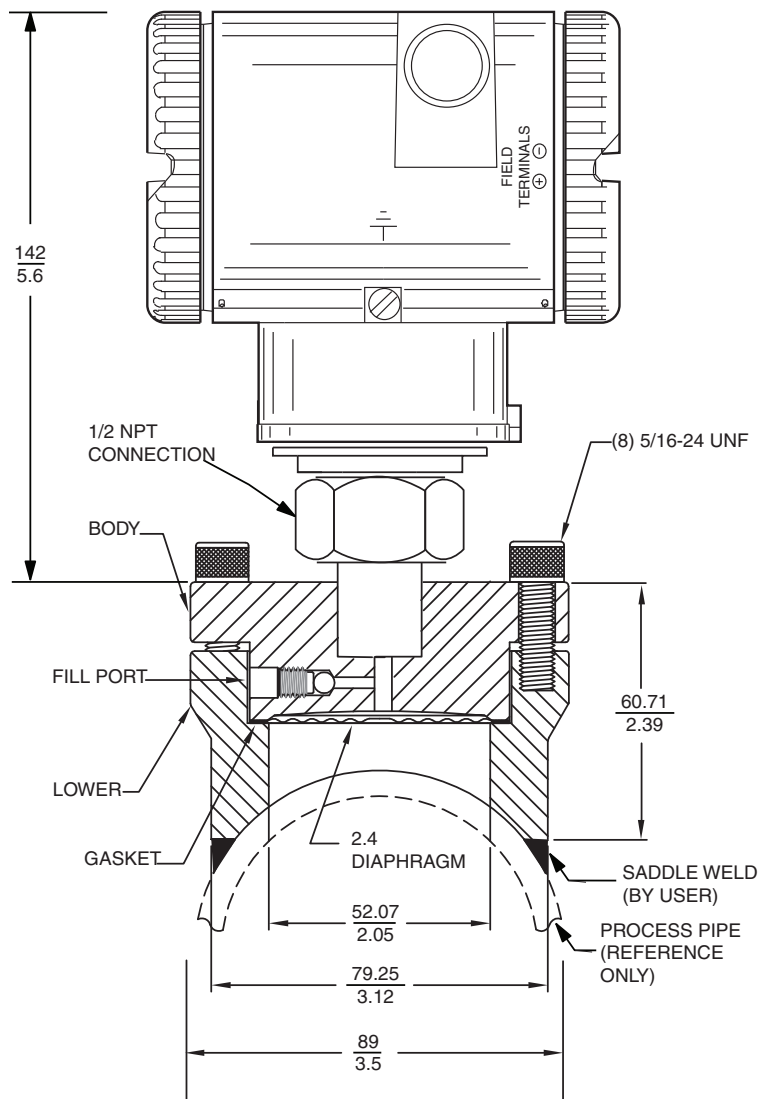
Transmitter-Mounted Pressure Seals for In-Line, Saddle-Welded Process Connection

Model PSISD

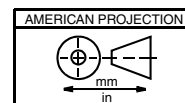
For use with I/A Series® Pressure Transmitter Models IAP10 and IGP10

(For transmitter dimensions, refer to the transmitter Dimensional Print)

PROCESS CONNECTOR CODE 3
(FOR 3-INCH PIPE)



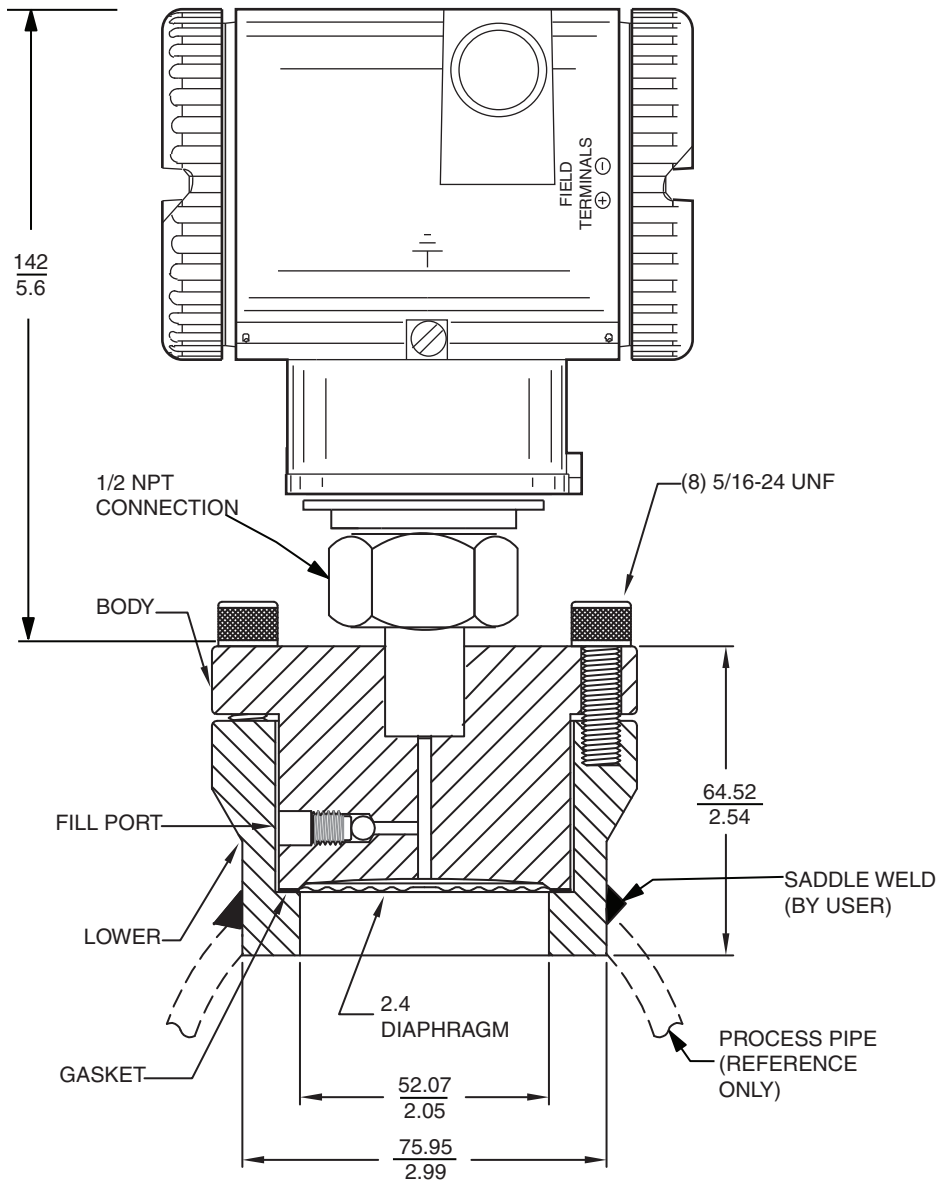
For dimensional information specific to your sales order, contact your sales representative to order a Certified Dimensional Print (CDP).



Foxboro®

by **Schneider** Electric

PROCESS CONNECTOR CODE 4
(FOR 4-INCH PIPE)



Invensys Systems, Inc.
38 Neponset Avenue
Foxboro, MA 02035
United States of America
<http://www.fielddevices.foxboro.com>

Global Customer Support
Inside U.S.: 1-866-746-6477
Outside U.S.: 1-508-549-2424
Website: <http://support.ips.invensys.com>

Copyright 2001-2016 Invensys Systems, Inc.
All rights reserved.

Invensys, Foxboro, and I/A Series are trademarks of Invensys Limited, its subsidiaries, and affiliates. All other trademarks are the property of their respective owners.

Invensys is now part of Schneider Electric.