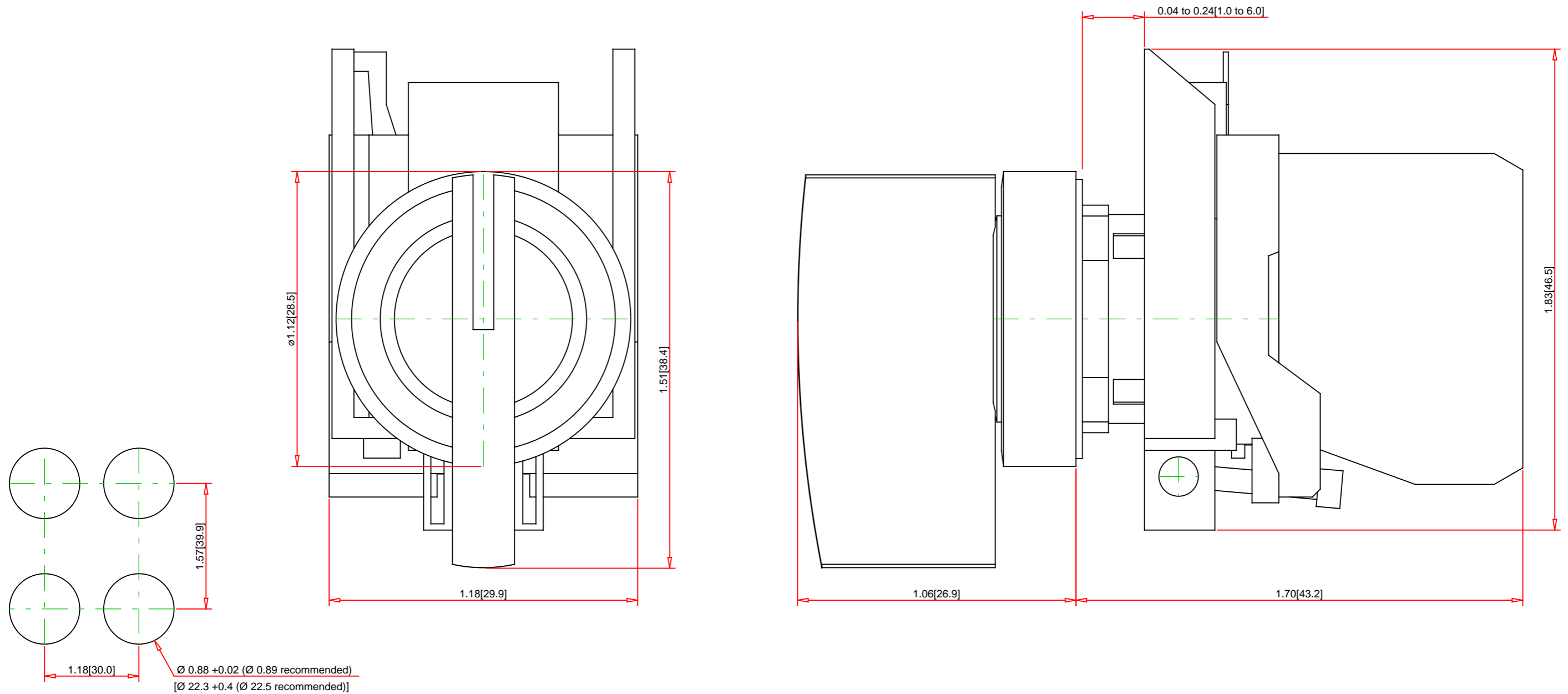


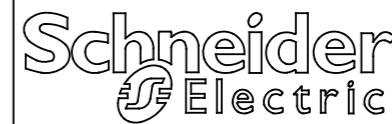
Panel Thickness E dim. inches (mm)	Number of Gasket
1/16 (1.6)	4
1/8 (3.2)	3
3/16 (4.8)	2
1/4 (6.4)	1



Note:
- Drawings Not To Scale
- Drawings Subject to Change Without Notice
- Dimensions are inches next to [Millimeters]

Part No.:

XB4BJ33



Schneider Electric United States
North American Division
Boston One Campus
800 Federal Street
Andover, MA 01810, USA
Phone: +1 8773425173
Email: CCC@us.schneider-electric.com

Technical Information:

Circuit Configuration:	DPST
Electrical Life:	100000
Mechanical Life:	1000000
Operating Temp. Range:	-25 to 70 °C (-13 to 158 °F)
Power Rating:	Not HP Rated
Number of Poles:	1 N.O. + 1 N.C.
AC Voltage:	600
Current Rating:	10
Contact Rating:	AC-15: 600V, 1.2A; 240V, 3A; 120V, 6A DC-13: 600V, 0.1A; 250V, 0.27A; 125V, 0.55A

Specification:

Description:	Push Buttons 22 mm - Assemblies
Type:	Selector Switch
Actuator Type:	Selector Knob
Illumination:	None
Terminal Plating:	Copper/Nickel
Actuator Color:	Black
Actuator Part No.:	ZB4BJ3
Base and Block Part No.:	ZB4BZ103