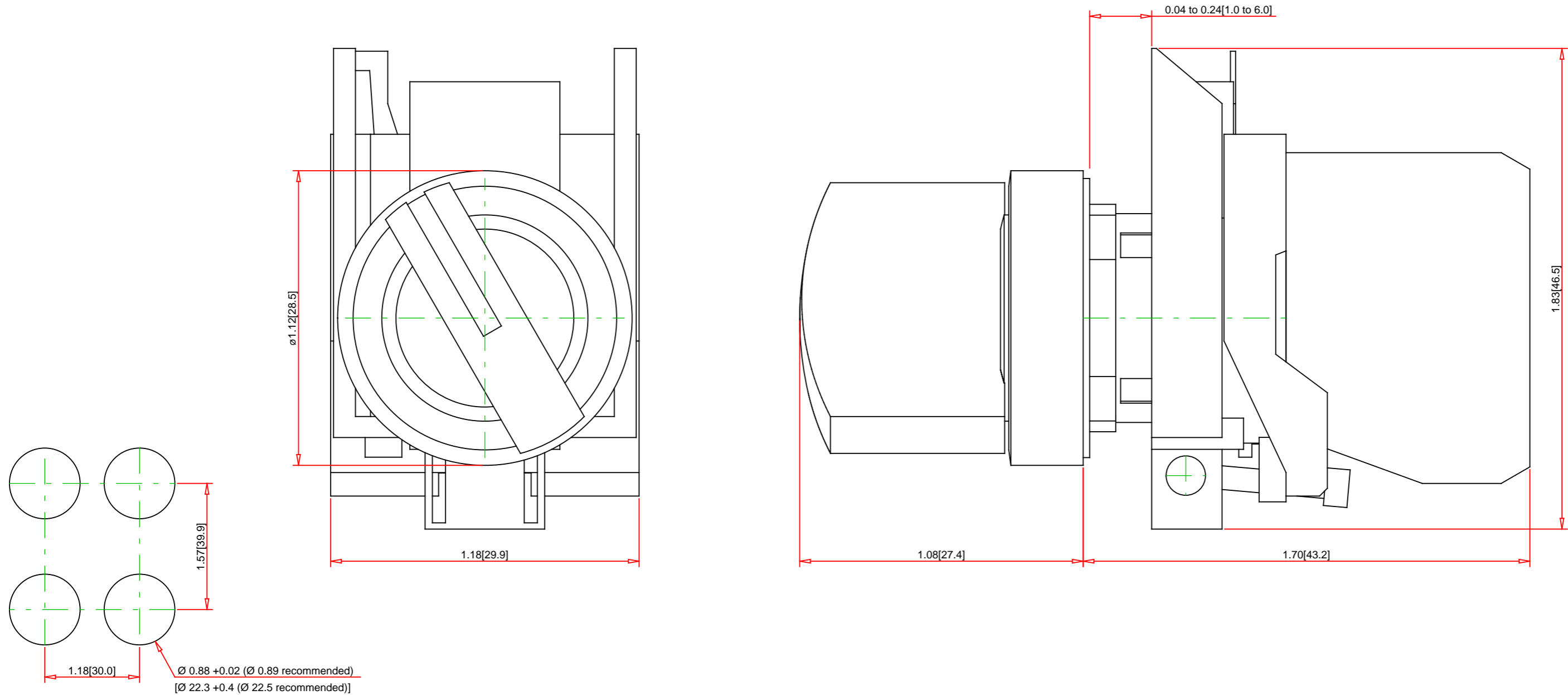


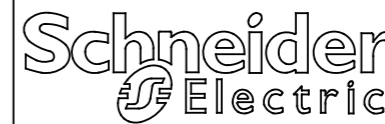
Panel Thickness E dim. inches (mm)	Number of Gasket
1/16 (1.6)	4
1/8 (3.2)	3
3/16 (4.8)	2
1/4 (6.4)	1



Note:
 - Drawings Not To Scale
 - Drawings Subject to Change Without Notice
 - Dimensions are inches next to [Millimeters]

Part No.:

XB4BD21



Schneider Electric United States
 North American Division
 Boston One Campus
 800 Federal Street
 Andover, MA 01810, USA
 Phone: +1 8773425173
 Email: CCC@us.schneider-electric.com

Technical Information:

Circuit Configuration: SPST
 Electrical Life: 100000
 Mechanical Life: 1000000
 Operating Temp. Range: -25 to 70 °C (-13 to 158 °F)
 Power Rating: Not HP Rated
 Number of Poles: 1 N.O. + 1 N.C.
 AC Voltage: 600
 Current Rating: 10
 Contact Rating: AC-15: 600V, 1.2A; 240V, 3A; 120V, 6A DC-13: 600V, 0.1A; 250V, 0.27A; 125V, 0.55A

Specification:

Description: Push Buttons 22 mm - Assemblies
 Type: Selector Switch
 Actuator Type: Selector Knob
 Illumination: None
 Terminal Plating: Copper/Nickel
 Actuator Color: Black
 Actuator Part No.: ZB4BD2
 Base and Block Part No.: ZB4BZ101