

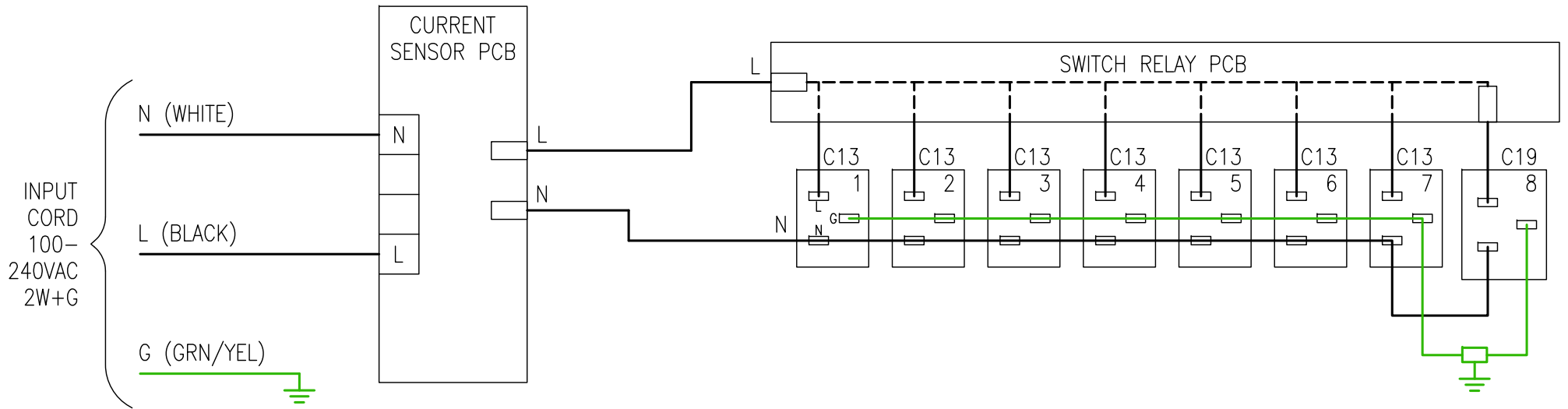
- NOTES:**
1. INSTALLATION SHALL COMPLY WITH ALL APPLICABLE NATIONAL, STATE AND LOCAL CODES.
 2. SEE PRODUCT DOCUMENTATION FOR FURTHER INFORMATION
 3. UNLESS OTHERWISE SPECIFIED, ALL DIMENSIONS ARE IN INCHES[MILLIMETERS].
 4. ADDITIONAL INPUT CORD 118.08IN [3000mm], (LOCKING IEC-C19 TO L6-20P) IS SUPPLIED WITH THE UNIT.
 5. NET WEIGHT OF UNIT IS 7.10LBS [3.23kg].
 6. UNIVERSAL MOUNTING BRACKET IS AN ALTERNATIVE MOUNTING METHOD TO THE TOOLLESS MOUNT FOR 3RD PARTY ENCLOSURES. BRACKET IS PROVIDED WITH THE UNIT. DETAILED INSTALLATION INSTRUCTIONS CAN BE FOUND IN THE PROVIDED MANUAL.
 7. BRACKET KITS TO MOUNT TO SPECIFIC 3RD PARTY ENCLOSURES ARE AVAILABLE AS OPTIONS.
- $\triangle 8$. REFER TO WARNING LABEL ON REAR OF UNIT FOR SCREW MOUNTING.

THIS DRAWING AND SPECIFICATIONS HEREIN ARE THE PROPERTY OF SCHNEIDER ELECTRIC AND SHALL NOT BE COPIED, REPRODUCED OR USED IN WHOLE OR IN PART, AS THE BASIS FOR THE MANUFACTURE OR SALE OF ITEMS WITHOUT WRITTEN PERMISSION FROM SCHNEIDER ELECTRIC. THIS DRAWING IS BASED UPON LATEST AVAILABLE INFORMATION AND IS SUBJECT TO CHANGE WITHOUT NOTICE.



TITLE: RACK PDU 2C, SWITCHED ZERO U, 20A 208VAC INPUT: NEMA L6-20P OUTPUT: (7)IEC 320 C13; (1)IEC 320 C19 MAIN MECHANICAL
PROJECT: STD SUBMITTAL DRAWINGS SHEET 1 OF 2

DWG NO: AP8958NA3	REV: 0
DRAWN BY: V BUSH	20-OCT-10
ENGINEER: Y JIANG/T HORSTMANN	20-OCT-10
APPROVED BY: M LEPARD/B SHERIDAN	20-OCT-10
	THIRD ANGLE PROJ



NOTES:

1. INSTALLATION SHALL COMPLY WITH ALL APPLICABLE NATIONAL, STATE AND LOCAL CODES.
2. SEE PRODUCT DOCUMENTATION FOR FURTHER INFORMATION
3. THIS DRAWING DEPICTS THE POWER SYSTEM CONNECTIONS AND IS NOT REPRESENTATIVE OF THE PHYSICAL LAYOUT. PLEASE REFER TO MECHANICAL DRAWINGS FOR PHYSICAL LAYOUT.

THIS DRAWING AND SPECIFICATIONS HEREIN ARE THE PROPERTY OF SCHNEIDER ELECTRIC AND SHALL NOT BE COPIED, REPRODUCED OR USED IN WHOLE OR IN PART, AS THE BASIS FOR THE MANUFACTURE OR SALE OF ITEMS WITHOUT WRITTEN PERMISSION FROM SCHNEIDER ELECTRIC. THIS DRAWING IS BASED UPON LATEST AVAILABLE INFORMATION AND IS SUBJECT TO CHANGE WITHOUT NOTICE.



TITLE: RACK PDU 2G, SWITCHED
ZERO U, 20A 208VAC
INPUT: NEMA L6-20P
OUTPUT: (7)IEC 320 C13, (1)IEC 320 C19
ELECTRICAL SCHEMATIC
PROJECT: STD SUBMITTAL DRAWINGS SHEET 2 OF 2

DWG NO:	AP8958NA3	REV:	0
DRAWN BY:	V BUSH	DATE:	20-OCT-10
ENGINEER:	Y JIANG/T HORSTMANN	DATE:	20-OCT-10
APPROVED BY:	M LEPARD/B SHERIDAN	DATE:	20-OCT-10
PROJECT:	STD SUBMITTAL DRAWINGS SHEET 2 OF 2	ANGLE:	N.A.