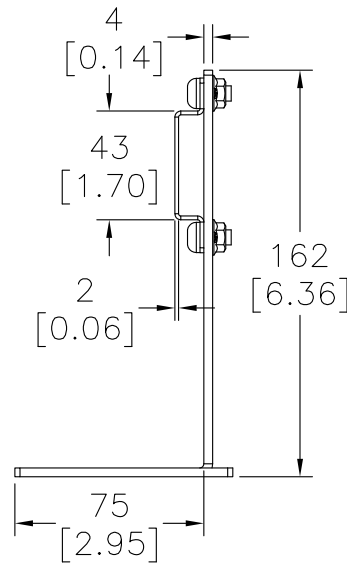
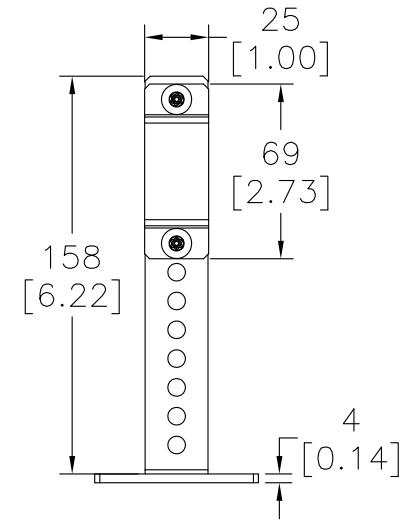


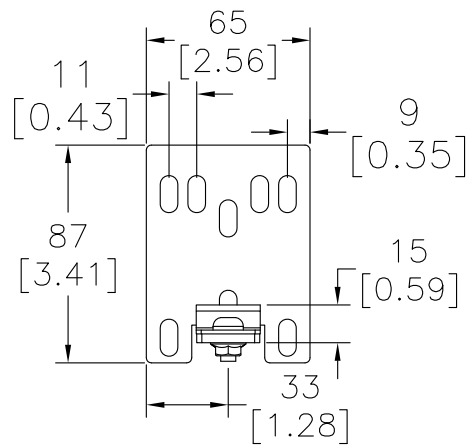
FRONT VIEW



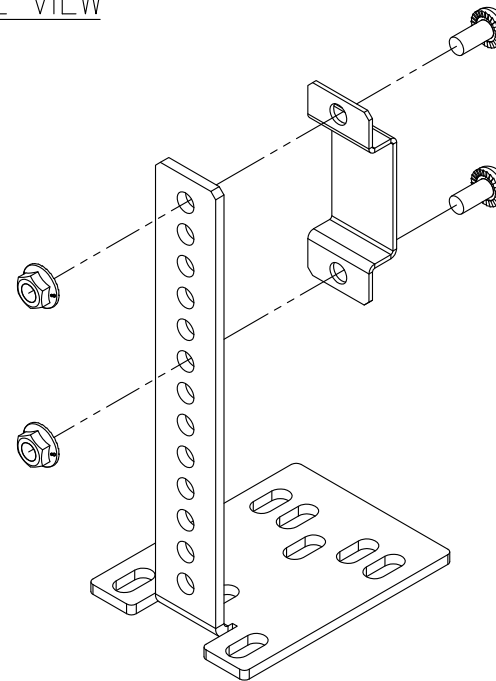
SIDE VIEW



REAR VIEW



TOP VIEW



EXPLODED VIEW

NOTES:

1. INSTALLATION SHALL COMPLY WITH ALL APPLICABLE NATIONAL, STATE AND LOCAL CODES.
2. SEE PRODUCT DOCUMENTATION FOR FURTHER INFORMATION
3. UNLESS OTHERWISE SPECIFIED, ALL DIMENSIONS ARE IN MILLIMETERS[INCHES].
4. NET WEIGHT OF UNIT IS 0.28kg [0.62LBS].

THIS DRAWING AND SPECIFICATIONS HEREIN ARE THE PROPERTY OF SCHNEIDER ELECTRIC AND SHALL NOT BE COPIED, REPRODUCED OR USED IN WHOLE OR IN PART, AS THE BASIS FOR THE MANUFACTURE OR SALE OF ITEMS WITHOUT WRITTEN PERMISSION FROM SCHNEIDER ELECTRIC. THIS DRAWING IS BASED UPON LATEST AVAILABLE INFORMATION AND IS SUBJECT TO CHANGE WITHOUT NOTICE.



TITLE:
CABLE LADDER ELEVATION
BRACKET KIT

PROJECT: SUBMITTAL DRAWINGS SHEET 1 OF 1

DWG NO: AR8186 REV. 1

DRAWN BY: V BUSH/S CUNHA 13-FEB-12 FIRST

ENGINEER: Q MAO/B OLIVER/T HORSTMANN 13-FEB-12 ANGLE

APPROVED BY: B SHERMAN/E SUND/C LARSEN/S WICH 13-FEB-12 PROJ