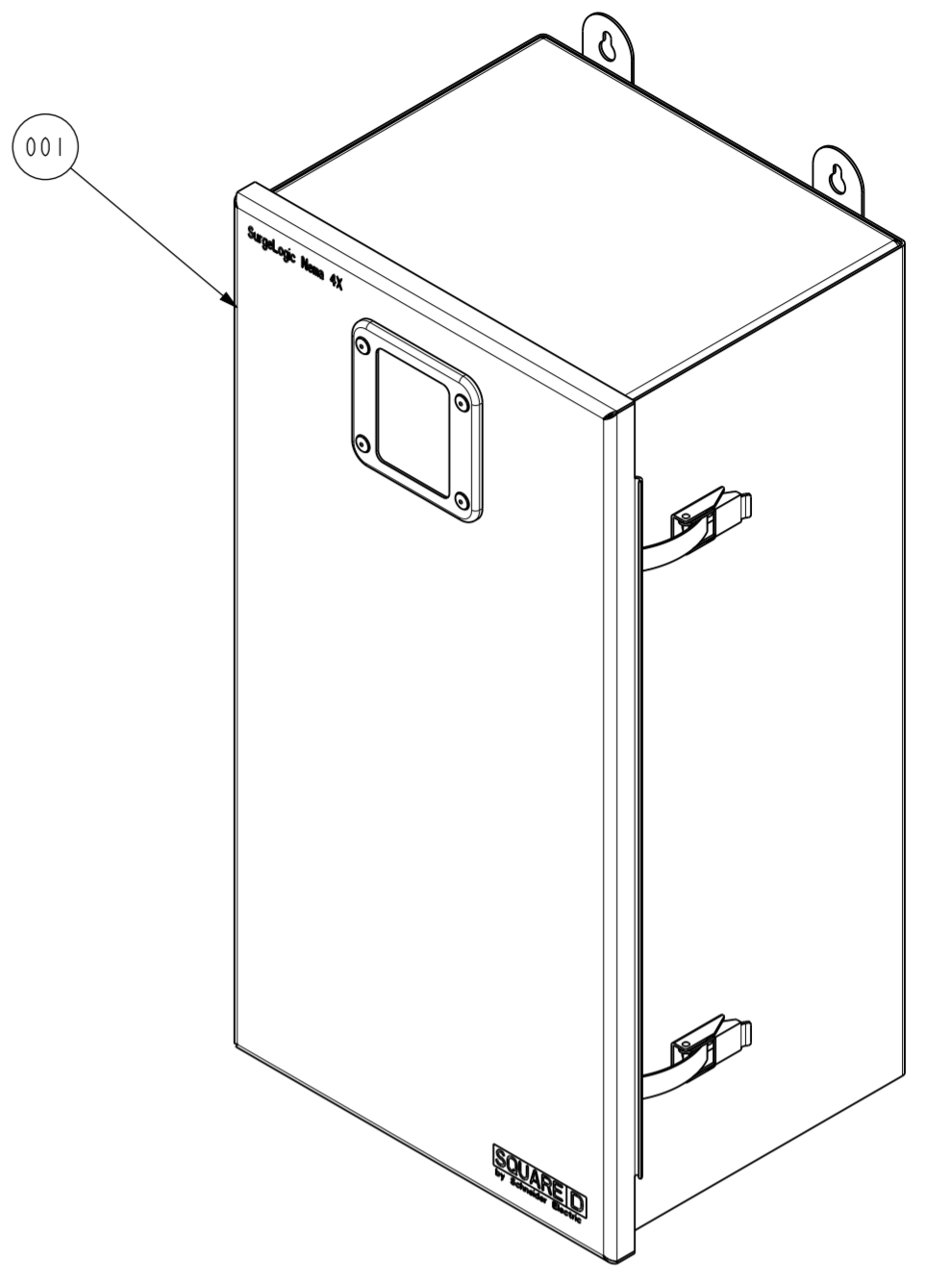
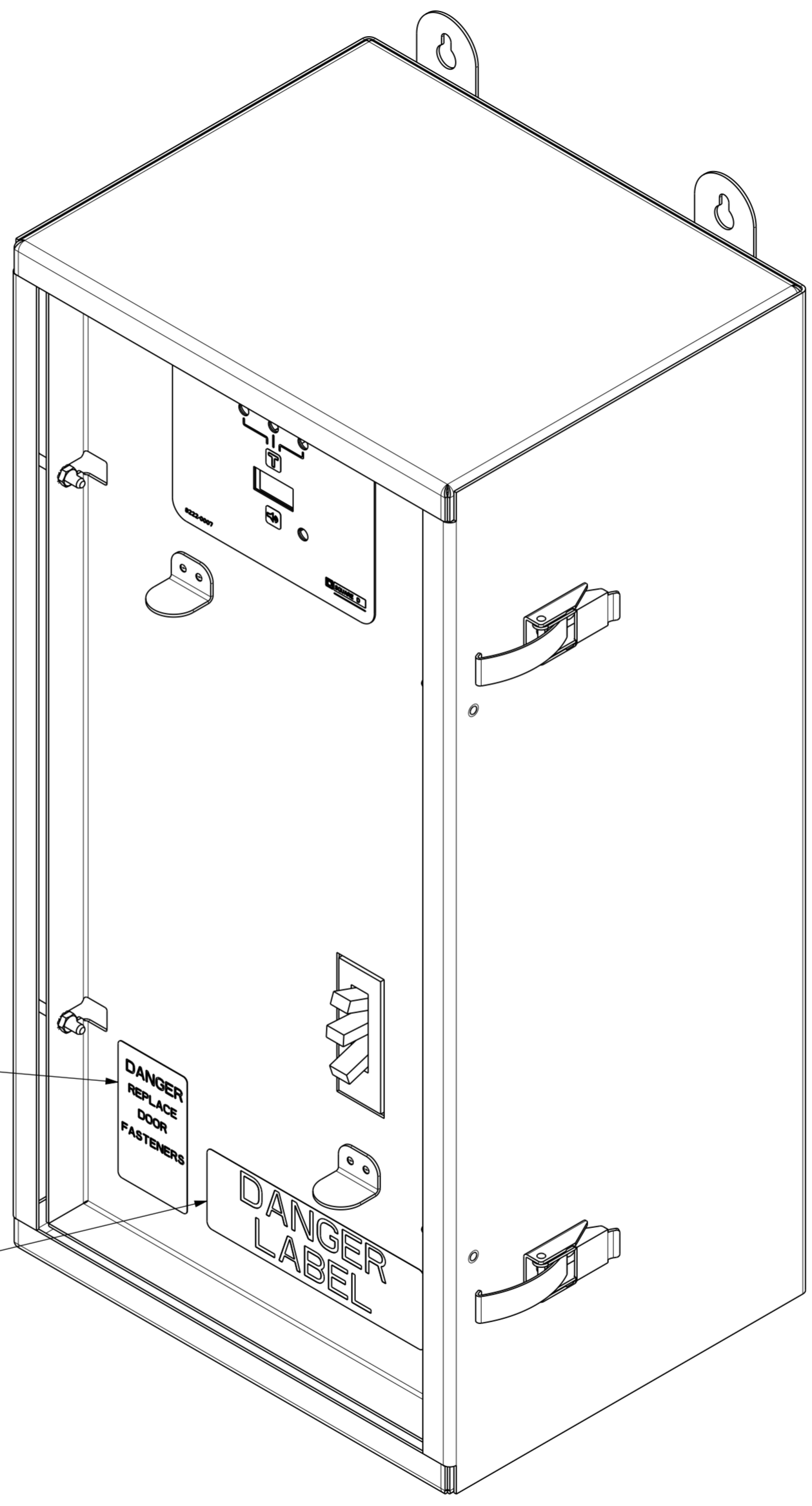
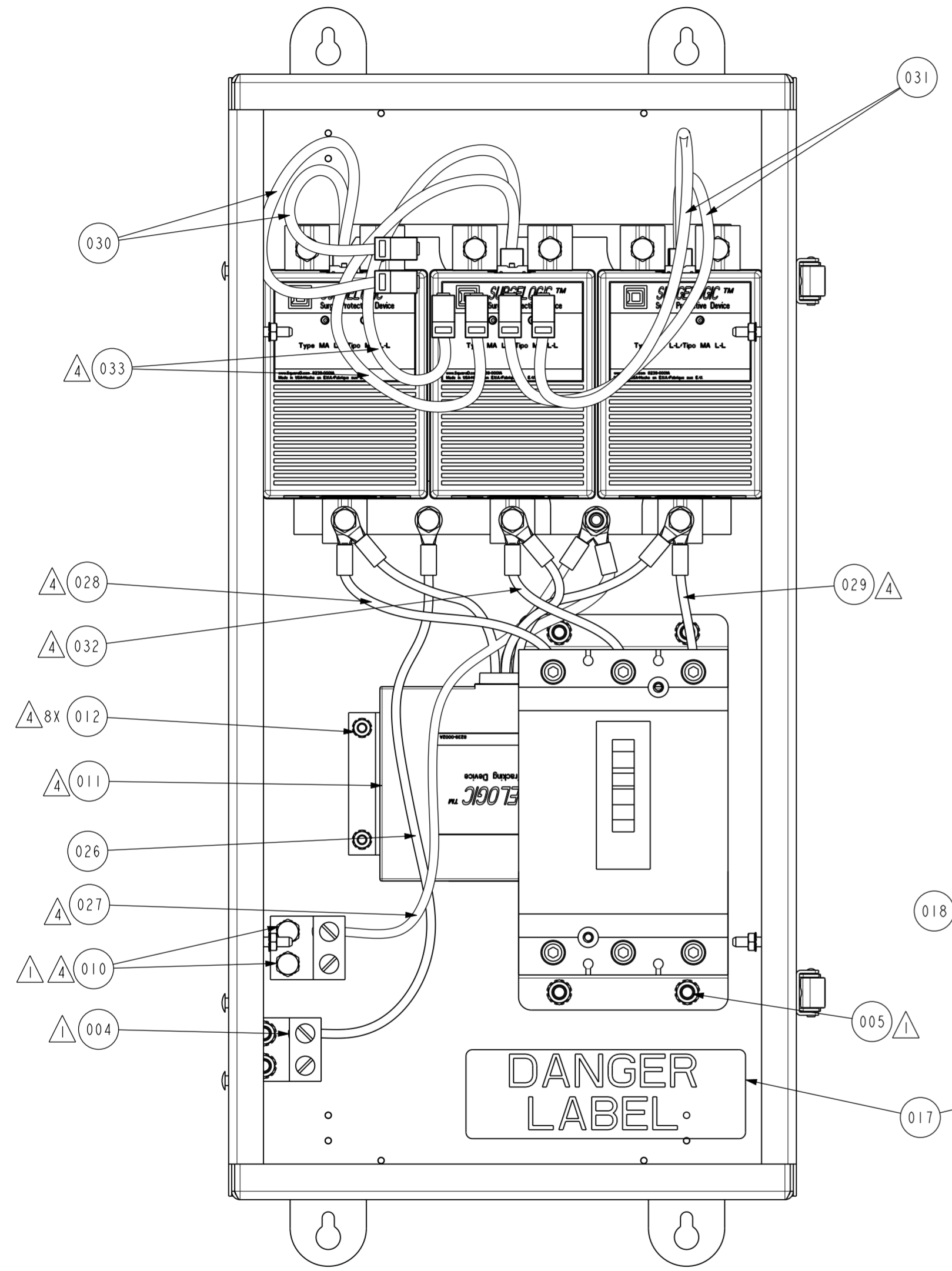


1 2 3 4 5 6 7 8

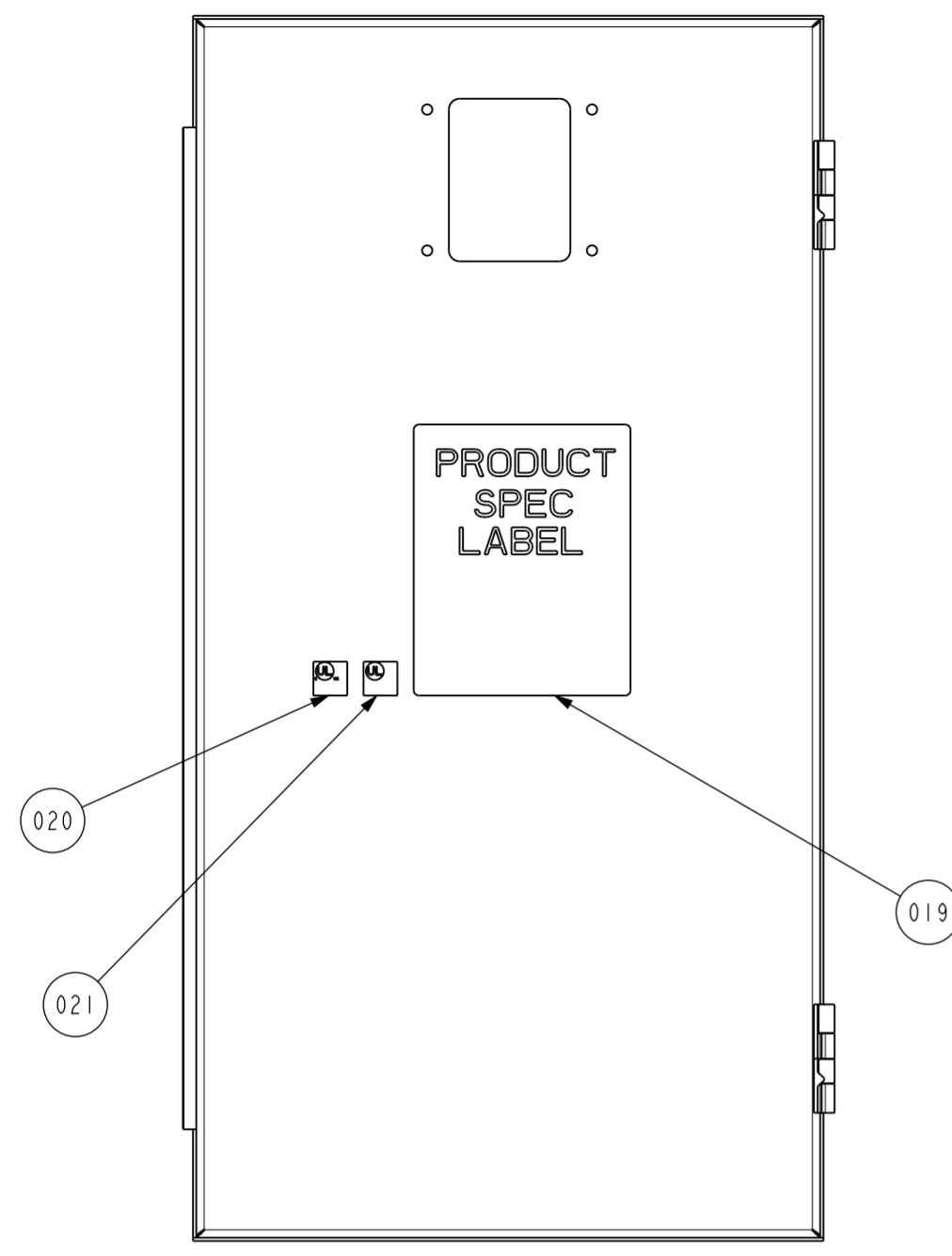
A B C D E F

A B C D E F

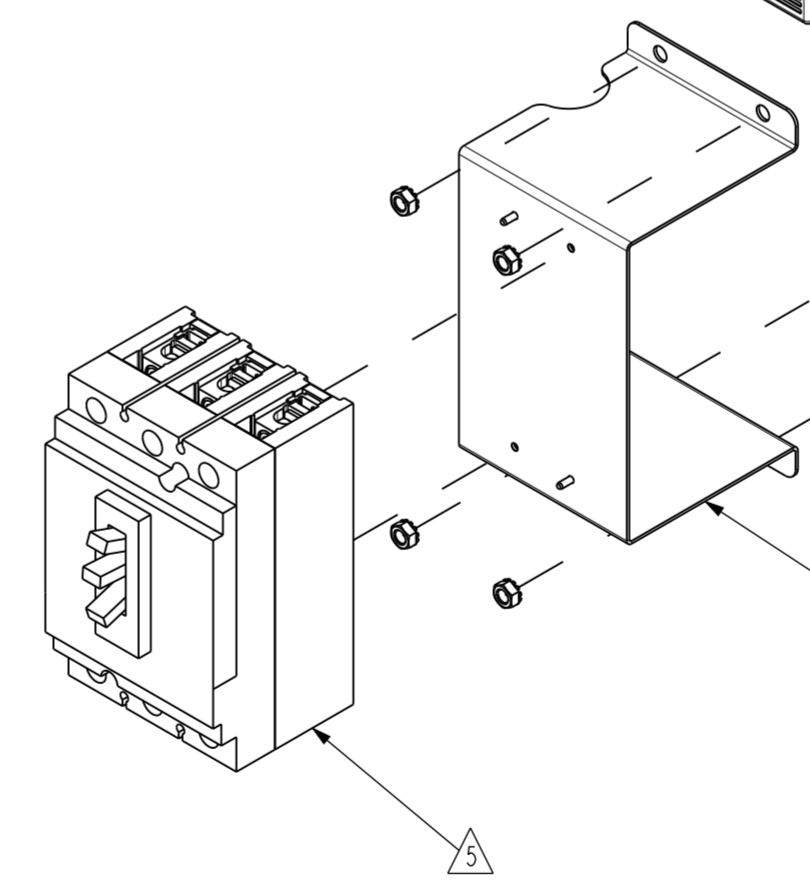
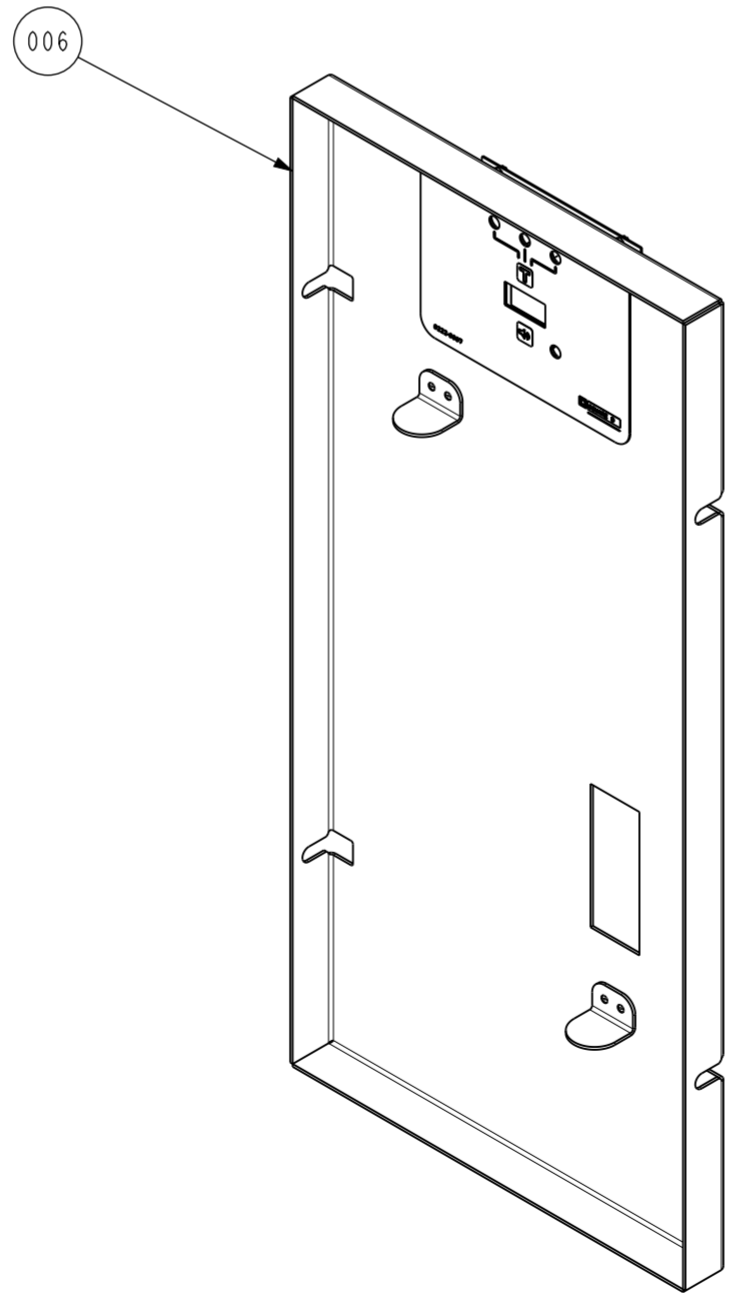
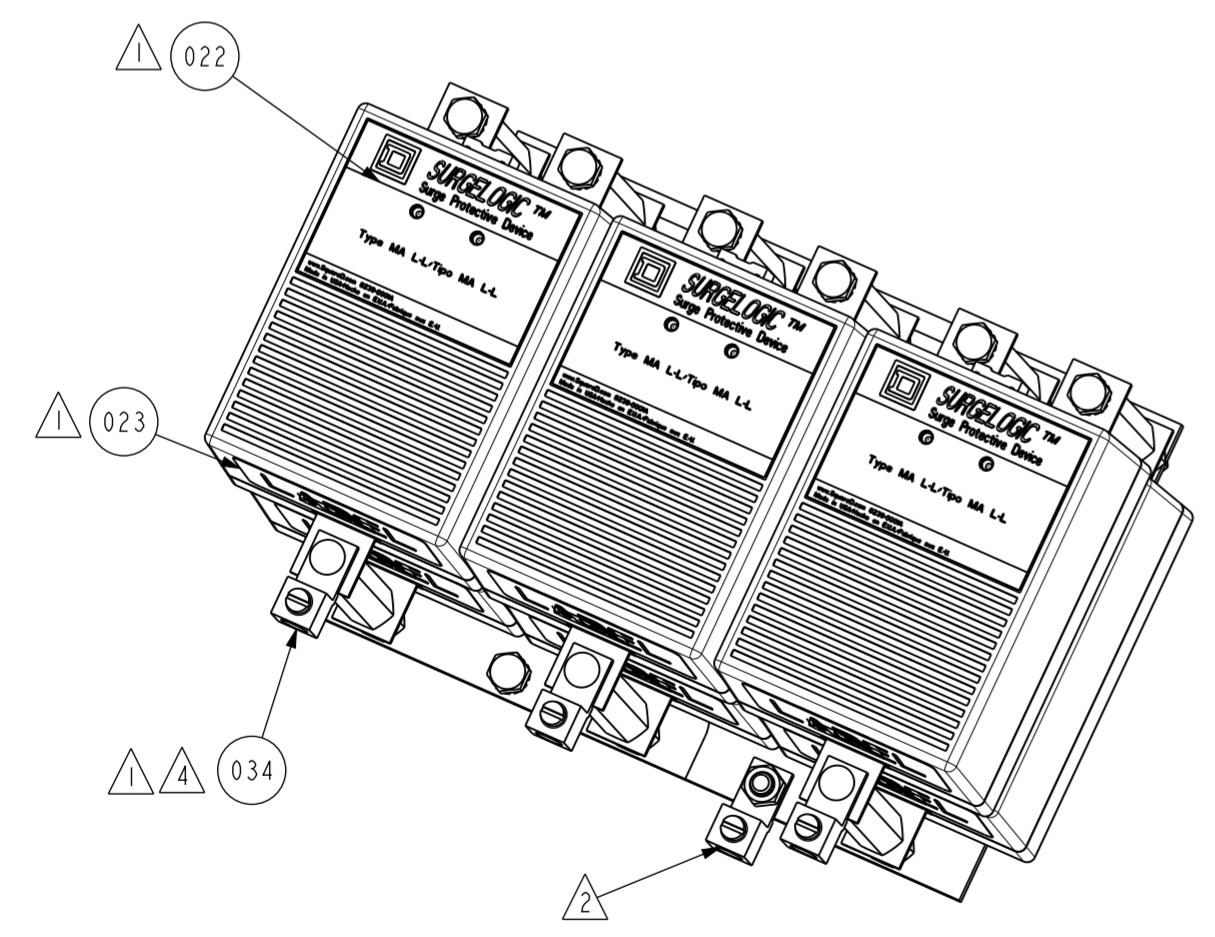
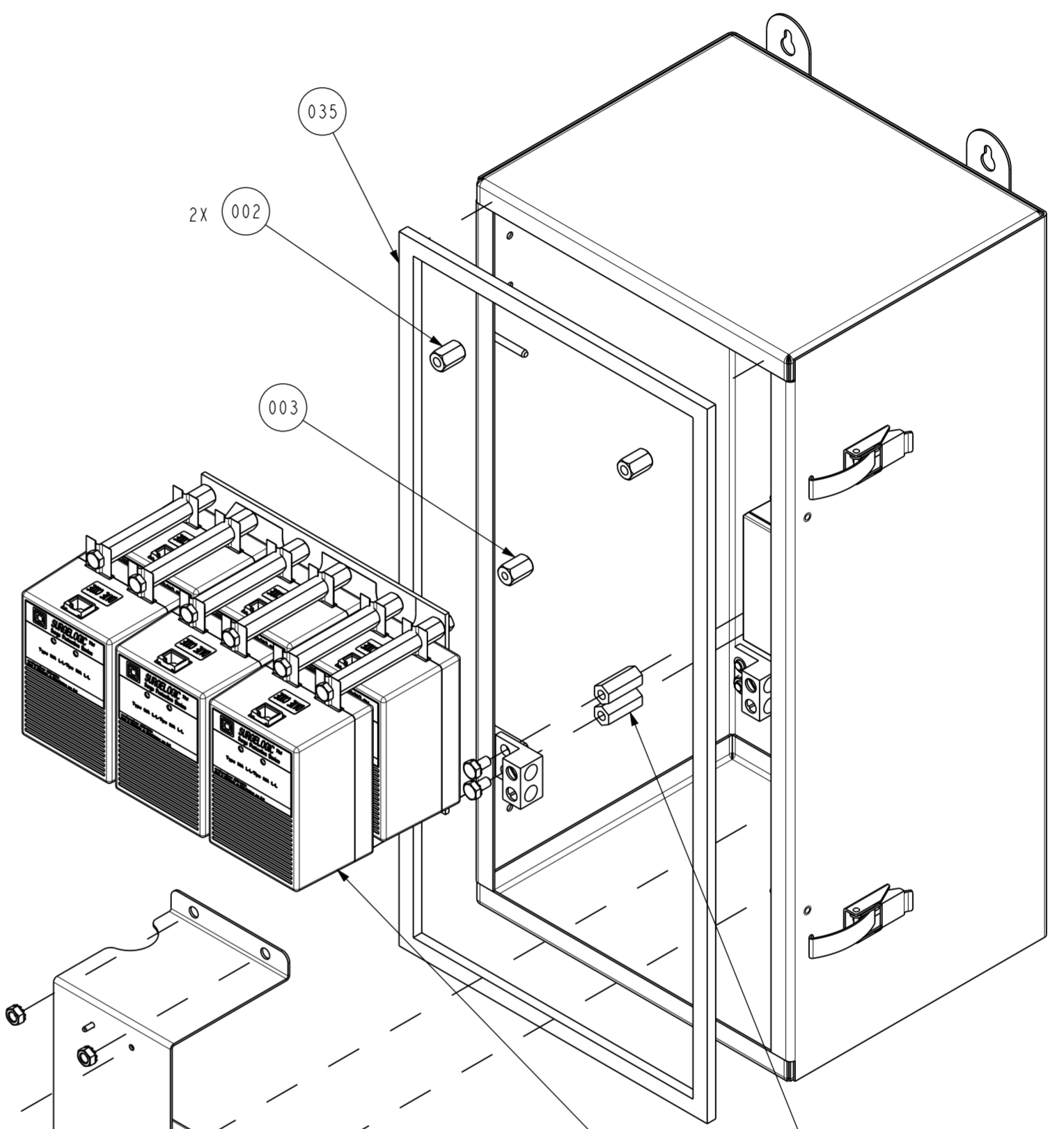
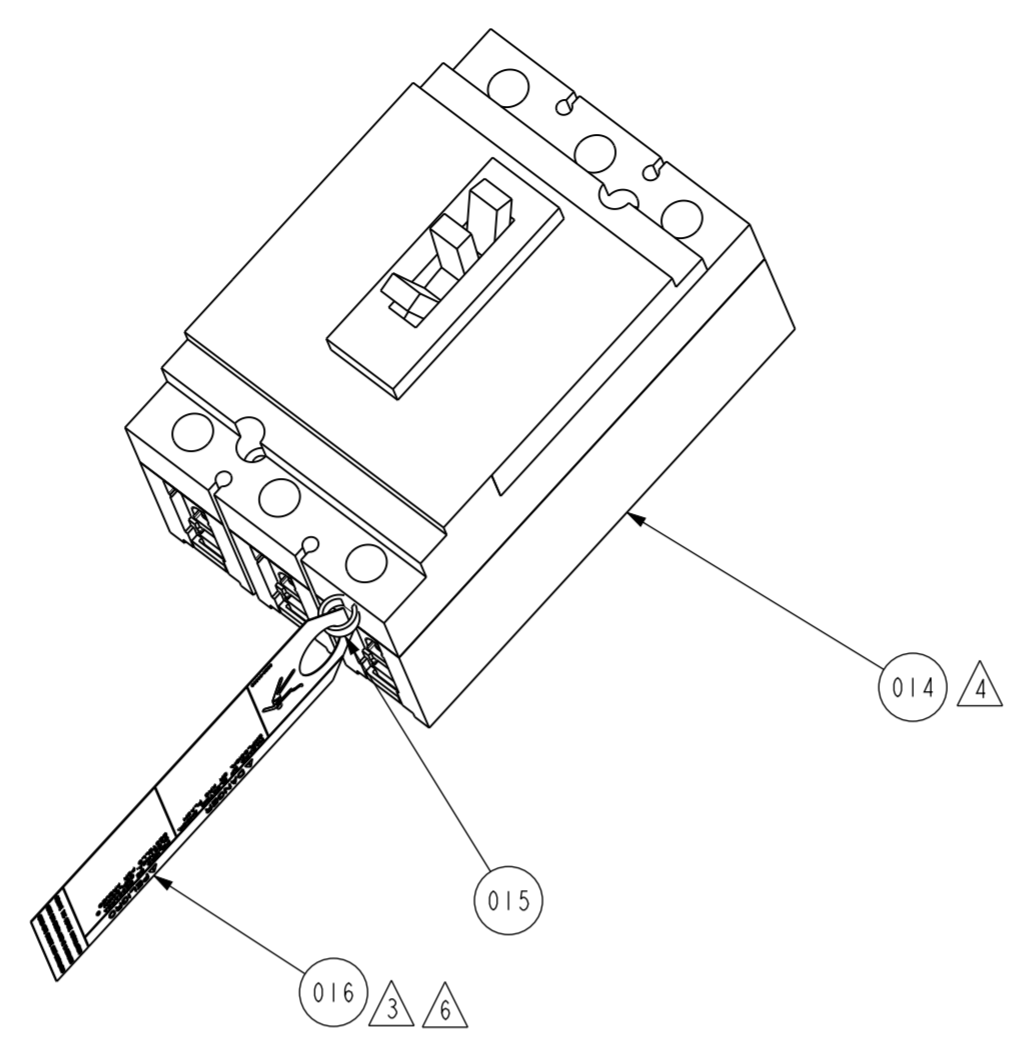


SCALE 0.250

	Scale: 0.450	Technical Specification:	Units of measure: IN
	NEMA 4X ASSEMBLY EMA NEMA 4X ASSEMBLY EMA		Document Number: NVE2651802
<small>The information is highly confidential and is the exclusive property of Schneider Electric. Copyright reserved. This drawing must not be used for any purpose other than that expressly permitted in writing by the owners and must not be disclosed or reproduced in any way without permission from the owners in writing. This drawing must be retained to the owners when the purpose has ceased.</small>		State: Released for Manufacturing Printed on 2021/08/03	Doc. Rev. 01 Sheet: 1/2



SCALE 0.300



SCALE 0.300

	NEMA 4X ASSEMBLY EMA NEMA 4X ASSEMBLY EMA Document Number: NVE2651802		Doc. Rev.:	Sheet:
	State: Released for Manufacturing Printed on 2021/08/03		01	2/2

The information is highly confidential and is the exclusive property of Schneider Electric. Copyright reserved. This drawing must not be used for any purpose other than that expressly permitted in writing by the owners and must not be disclosed or reproduced in any way without permission from the owners in writing. This drawing must be returned to the owners when the purpose has ceased.