

NOTES:

1. INSTALLATION SHALL COMPLY WITH ALL APPLICABLE NATIONAL, STATE AND LOCAL CODES.
2. PLEASE REFER TO PRODUCT DOCUMENTATION FOR FURTHER INFORMATION.
3. ALL DIMENSIONS ARE IN INCHES [MILLIMETERS].
4. WEIGHT OF BRACKETS:
 300mm FRONT BRACKET IS 2.43 LBS [1.10 KG].
 300mm REAR BRACKET IS 2.09 LBS [0.95 KG].
 300mm LATCH BRACKET IS 1.87 LBS. [0.85 KG].
 600mm FRONT BRACKET IS 5.95 LBS [2.70 KG].
 600mm REAR BRACKET IS 5.07 LBS [2.30 KG].
 600mm LATCH BRACKET IS 5.07 LBS [2.30 KG].
5. THE REAR BRACKET CAN BE BOLTED TO THE GROUND WITHOUT THE LATCH IF THE SYSTEM IS ACCESSIBLE FROM THE REAR.
6. IF THE SYSTEM IS INSTALLED AGAINST THE WALL RECOMMENDED CLEARANCE FROM THE REAR DOORS TO THE REAR WALL IS 50mm TO ACCOMMODATE THE LATCH/BRACKET.
7. BRACKETS MUST BE ANCHORED TO THE FLOOR WITH 1/2" GRADE 4, OR M12 8.8 HARDWARE. FLOOR MOUNTING HARDWARE NOT PROVIDED.
8. ALL HOLES MUST BE POPULATED. IF REAR LATCH IS USED ONLY HOLES IN THE REAR LATCH MUST BE POPULATED.
9. SEISMIC QUALIFICATION OF NON-STRUCTURAL COMPONENT BY SCHNEIDER ELECTRIC IS JUST ONE LINK IN THE TOTAL CHAIN OF RESPONSIBILITY REQUIRED TO MAXIMIZE THE PROBABILITY THAT THE EQUIPMENT WILL BE INTACT AND FUNCTIONAL AFTER A SEISMIC EVENT. DURING A SEISMIC EVENT THE EQUIPMENT MUST BE ABLE TO TRANSFER THE LOADS THAT ARE CREATED THROUGH THE MOUNTING AND ANCHORAGE TO THE LOAD-BEARING PATH OF THE BUILDING STRUCTURAL SYSTEM. ANCHORAGE OF THE EQUIPMENT TO THE PRIMARY BUILDING STRUCTURE IS REQUIRED TO VALIDATE THE SEISMIC CERTIFICATION. THE STRUCTURAL ENGINEER OR DESIGN ENGINEER OF RECORD IS RESPONSIBLE FOR DETAILING THE EQUIPMENT ANCHORAGE REQUIREMENTS FOR THE GIVEN INSTALLATION. THE INSTALLER AND MANUFACTURERS OF THE ANCHORAGE SYSTEM ARE RESPONSIBLE FOR ASSURING THAT THE MOUNTING REQUIREMENTS ARE MET. SCHNEIDER ELECTRIC IS NOT RESPONSIBLE FOR THE SPECIFICATION AND PERFORMANCE OF THE ANCHORAGE SYSTEMS. ALL FLOOR MOUNTED BRACKETS ARE PROVIDED WITH HOLES FOR 1/2" DIAMETER HARDWARE. FLOOR MOUNTING HARDWARE ARE NOT PROVIDED.

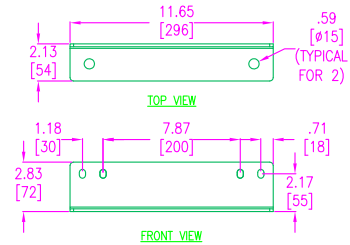
SEISMIC KIT SKU's	SYMMETRA PX 100 FRAMES				
	PDPM100F PDPM100G6F-M PDPM100F6F-M PDPM100L6F-M	SYMBP100F	SYCFXR9 BATTERY FRAME	SYCF100KF I/O FRAME	PDPM100SC BOTTOM FEED SIDECAR
<u>SYOPT009</u> SEISMIC KIT FOR 600mm SYMMETRA PX BATTERY CABINETS			X		
<u>SYOPT300</u> SEISMIC KIT FOR 300mm SYMMETRA PX 100 FRAMES		X			X
<u>SYOPT600</u> SEISMIC KIT FOR 600mm SYMMETRA PX 100 FRAMES	X		X	X	
	AFFECTED UPS SKUs:				
	SY10K100F SY20K100F SY30K100F SY40K100F SY50K100F SY60K100F SY70K100F SY80K100F SY90K100F SY100K100F				

THIS DRAWING AND SPECIFICATIONS HEREIN ARE THE PROPERTY OF SCHNEIDER ELECTRIC AND SHALL NOT BE COPIED, REPRODUCED OR USED IN WHOLE OR IN PART, AS THE BASIS FOR THE MANUFACTURE OR SALE OF ITEMS WITHOUT WRITTEN PERMISSION FROM SCHNEIDER ELECTRIC. THIS DRAWING IS BASED UPON LATEST AVAILABLE INFORMATION AND IS SUBJECT TO CHANGE WITHOUT NOTICE.

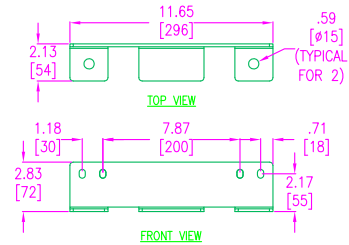
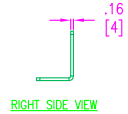


TITLE: SYMMETRA PX 100 SEISMIC ANCHORING GENERAL NOTES
 PROJECT: STD SUBMITTAL DRAWINGS SHEET 1 OF 6

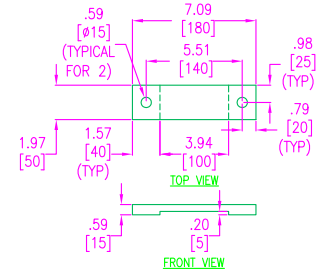
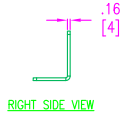
DWG NO: SYPX100SEISMIC	REV. 0
DRAWN BY: S CUNHA	25-OCT-13
ENGINEER: K SILBERBAUER	25-OCT-13
APPROVED BY: M DESHPANDE	25-OCT-13
	PROJ ANGLE N/A



300mm FRONT BRACKET – PART #870-17111

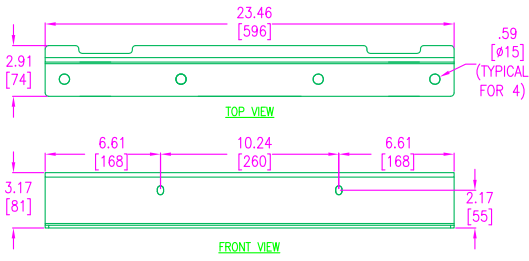


300mm REAR BRACKET – PART #870-16847A

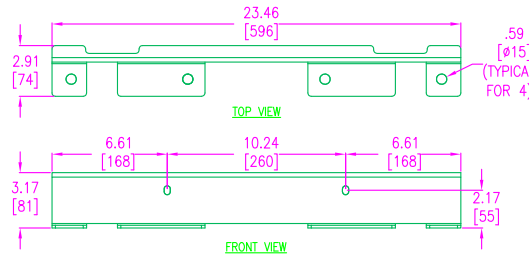
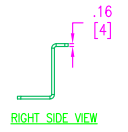


300mm LATCH BRACKET – PART #870-17070

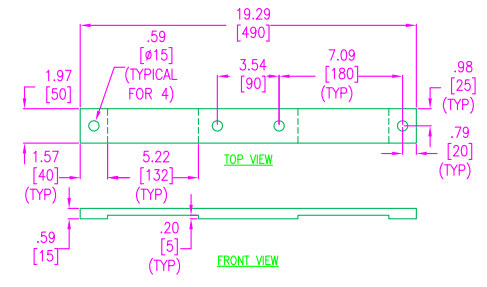
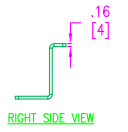
SYOPT300 SEISMIC KIT
FOR 300mm SYMMETRA PX 100 FRAMES



600mm FRONT BRACKET – PART #870-17110

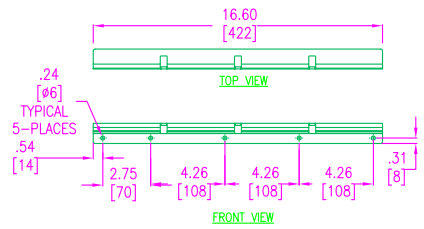


600mm REAR BRACKET – PART #870-16846A

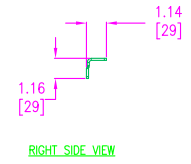


600mm LATCH BRACKET – PART #870-17069

SYOPT600 SEISMIC KIT
FOR 600mm SYMMETRA PX 100 FRAMES



SYOPT009 SEISMIC KIT-PART # 870-16854
FOR 600mm SYMMETRA XR FRAMES-SYCFXR9



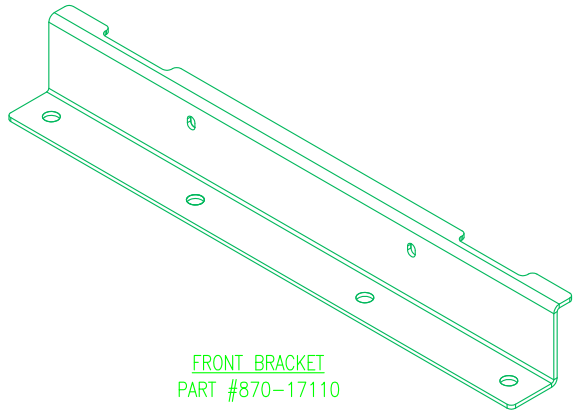
NOTES:

1. INSTALLATION SHALL COMPLY WITH ALL APPLICABLE NATIONAL, STATE AND LOCAL CODES.
2. PLEASE REFER TO PRODUCT DOCUMENTATION FOR FURTHER INFORMATION.
3. ALL DIMENSIONS ARE IN INCHES [MILLIMETERS].

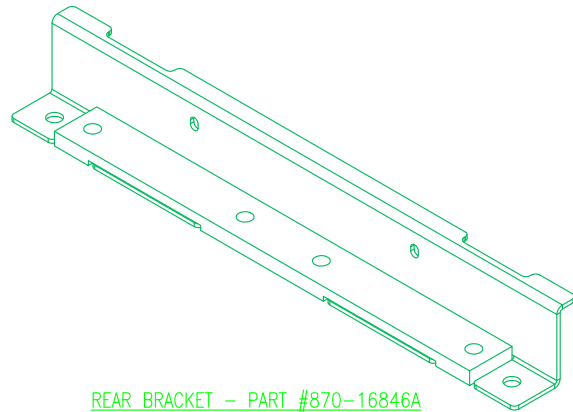
THIS DRAWING AND SPECIFICATIONS HEREIN ARE THE PROPERTY OF SCHNEIDER ELECTRIC AND SHALL NOT BE COPIED, REPRODUCED OR USED IN WHOLE OR IN PART, AS THE BASIS FOR THE MANUFACTURE OR SALE OF ITEMS WITHOUT WRITTEN PERMISSION FROM SCHNEIDER ELECTRIC. THIS DRAWING IS BASED UPON LATEST AVAILABLE INFORMATION AND IS SUBJECT TO CHANGE WITHOUT NOTICE.



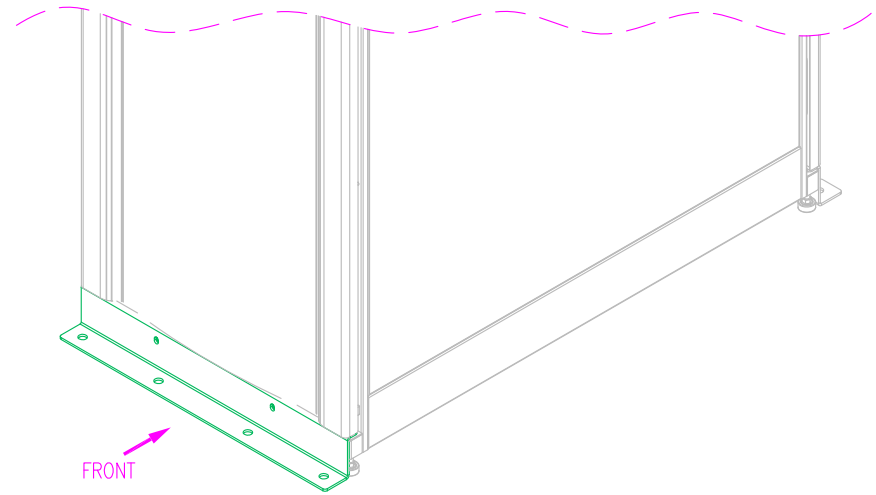
TITLE: SYMMETRA PX 100 SEISMIC ANCHORING SEISMIC KIT DETAILS		DWG NO: SYPX100SEISMIC	REV. 1
PROJECT: STD SUBMITTAL DRAWINGS	SHEET 2 OF 6	DRAWN BY: S CUNHA	30-SEP-19
		ENGINEER: K SILBERBAUER	30-SEP-19
		APPROVED BY: M DESHPANDE	30-SEP-19
			THIRD ANGLE PROJ



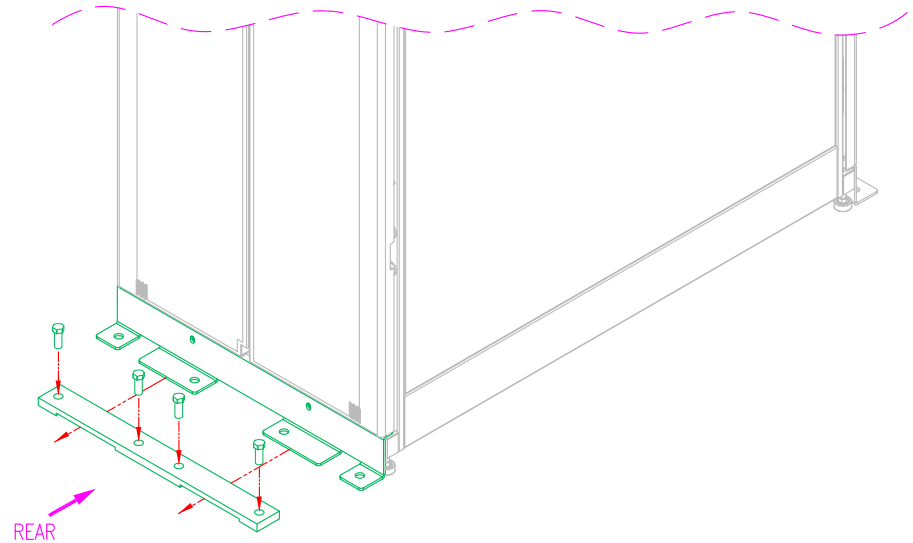
FRONT BRACKET
PART #870-17110



REAR BRACKET - PART #870-16846A
w/ LATCH BRACKET - PART #870-17069



FRONT



REAR

NOTES:

1. INSTALLATION SHALL COMPLY WITH ALL APPLICABLE NATIONAL, STATE AND LOCAL CODES.
2. PLEASE REFER TO PRODUCT DOCUMENTATION FOR FURTHER INFORMATION.

SYCF100KF/SYCFXR9/PDPM100F/PDPM100G6F-M/PDPM100F6F-M/PDPM100L6F-M FRAMES INSTALLATION VIEW

THIS DRAWING AND SPECIFICATIONS HEREIN ARE THE PROPERTY OF SCHNEIDER ELECTRIC AND SHALL NOT BE COPIED, REPRODUCED OR USED IN WHOLE OR IN PART, AS THE BASIS FOR THE MANUFACTURE OR SALE OF ITEMS WITHOUT WRITTEN PERMISSION FROM SCHNEIDER ELECTRIC. THIS DRAWING IS BASED UPON LATEST AVAILABLE INFORMATION AND IS SUBJECT TO CHANGE WITHOUT NOTICE.



TITLE: SYMMETRA PX 100kW
SEISMIC ANCHORING
POWER / BATTERY / PDU FRAMES
600mm WIDE
INSTALLATION VIEWS

PROJECT: STD SUBMITTAL DRAWINGS SHEET 3 OF 6

DWG NO: SYPX100SEISMIC

DRAWN BY: S CUNHA 25-OCT-13

ENGINEER: K SILBERBAUER 25-OCT-13

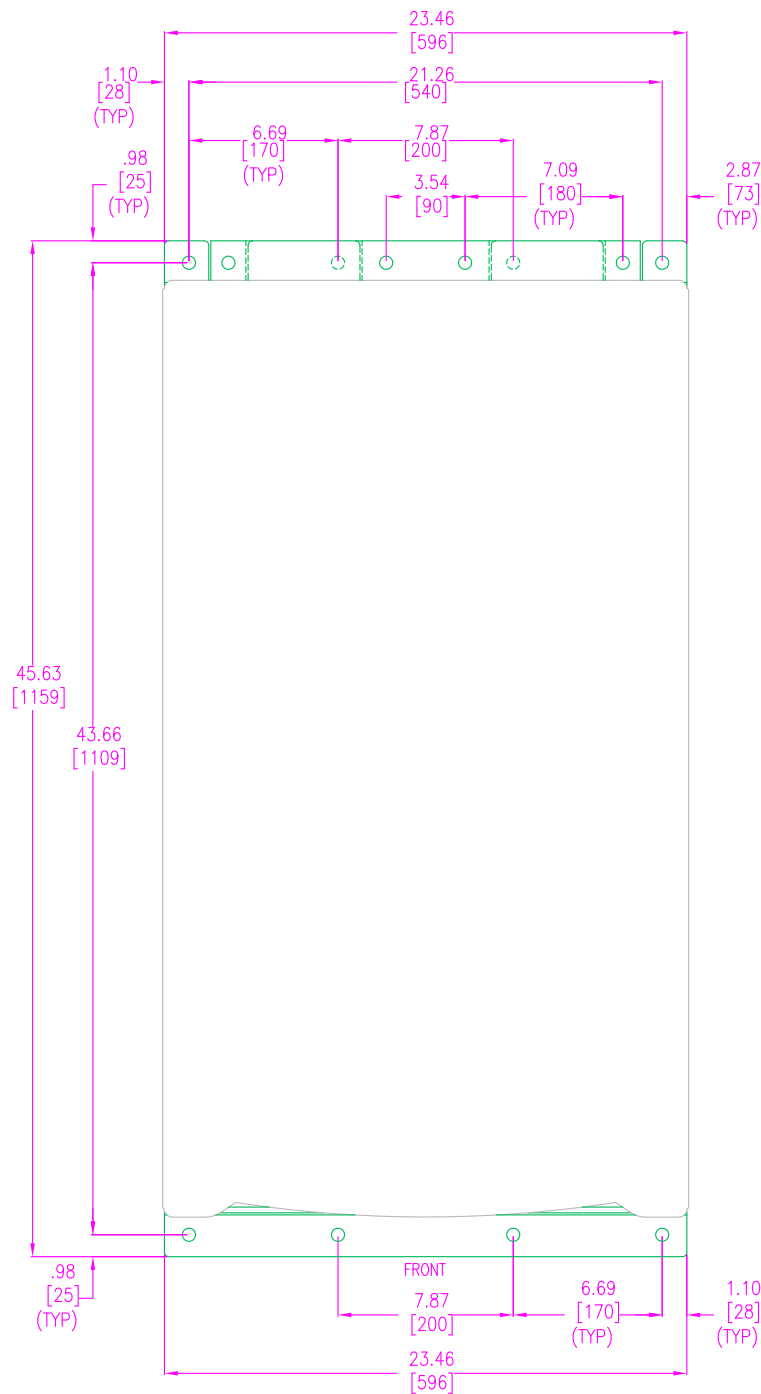
APPROVED BY: M DESHPANDE 25-OCT-13

REV. 0

THIRD

ANGLE

PROJ



NOTES:

1. INSTALLATION SHALL COMPLY WITH ALL APPLICABLE NATIONAL, STATE AND LOCAL CODES.
2. PLEASE REFER TO PRODUCT DOCUMENTATION FOR FURTHER INFORMATION.
3. ALL DIMENSIONS ARE IN INCHES [MILLIMETERS].

SYCF100KF/SYCFXR9/PDPM100F/PDPM100G6F-M/PDPM100F6F-M/PDPM100L6F-M FRAMES PLAN VIEW

THIS DRAWING AND SPECIFICATIONS HEREIN ARE THE PROPERTY OF SCHNEIDER ELECTRIC AND SHALL NOT BE COPIED, REPRODUCED OR USED IN WHOLE OR IN PART, AS THE BASIS FOR THE MANUFACTURE OR SALE OF ITEMS WITHOUT WRITTEN PERMISSION FROM SCHNEIDER ELECTRIC. THIS DRAWING IS BASED UPON LATEST AVAILABLE INFORMATION AND IS SUBJECT TO CHANGE WITHOUT NOTICE.



TITLE: SYMMETRA PX 100kW SEISMIC ANCHORING POWER / BATTERY / PDU FRAMES 600mm WIDE PLAN VIEW

DWG NO: SYPX100SEISMIC

REV. 0

DRAWN BY: S CUNHA 25-OCT-13

THIRD

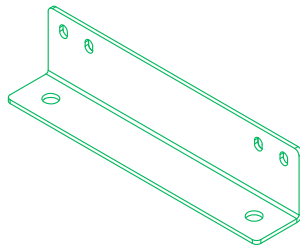
ENGINEER: K SILBERBAUER 25-OCT-13

ANGLE

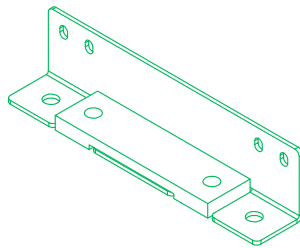
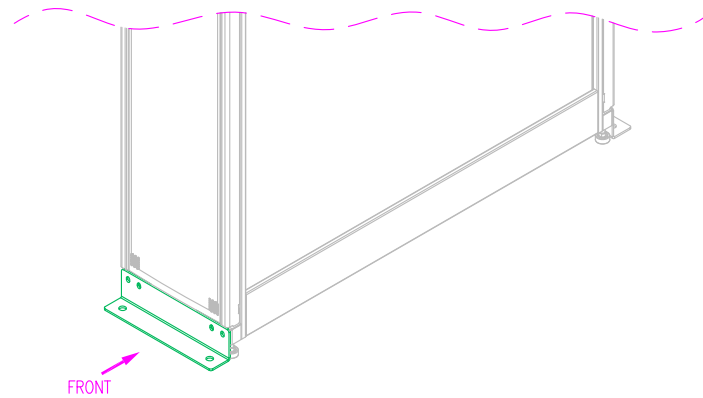
PROJECT: STD SUBMITTAL DRAWINGS SHEET 4 OF 6

APPROVED BY: M DESHPANDE 25-OCT-13

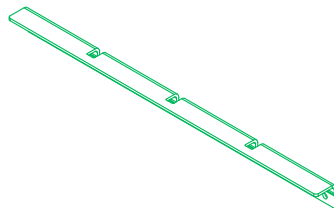
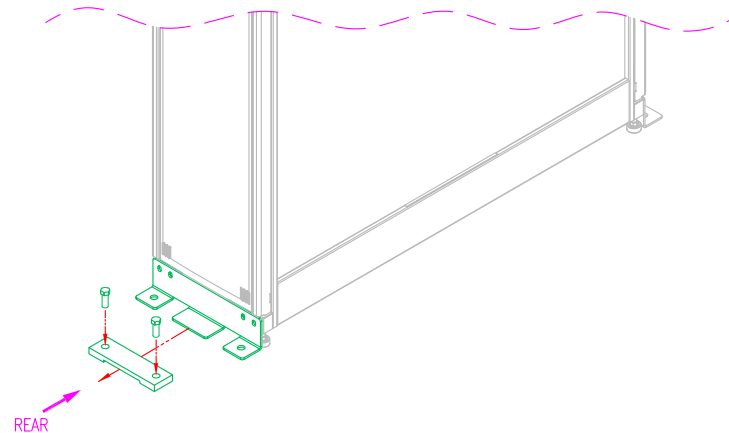
PROJ



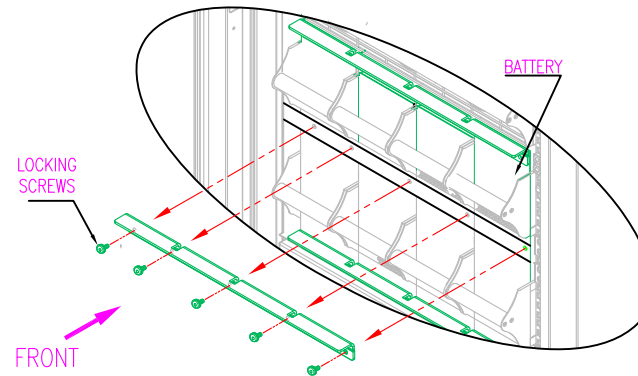
FRONT BRACKET
PART #870-17111



REAR BRACKET - PART #870-16847A
w/ LATCH BRACKET - PART #870-17070



SYOPT009 SEISMIC KIT - PART # 870-16854
FOR 600mm SYMMETRA XR FRAMES - SYCFXR9



NOTES:

1. INSTALLATION SHALL COMPLY WITH ALL APPLICABLE NATIONAL, STATE AND LOCAL CODES.
2. PLEASE REFER TO PRODUCT DOCUMENTATION FOR FURTHER INFORMATION.

THIS DRAWING AND SPECIFICATIONS HEREIN ARE THE PROPERTY OF SCHNEIDER ELECTRIC AND SHALL NOT BE COPIED, REPRODUCED OR USED IN WHOLE OR IN PART, AS THE BASIS FOR THE MANUFACTURE OR SALE OF ITEMS WITHOUT WRITTEN PERMISSION FROM SCHNEIDER ELECTRIC. THIS DRAWING IS BASED UPON LATEST AVAILABLE INFORMATION AND IS SUBJECT TO CHANGE WITHOUT NOTICE.



PDPM100SC/SYMBP100F/SYCFXR9 FRAMES INSTALLATION VIEW

TITLE: SYMMETRA PX 100kW
SEISMIC ANCHORING
POWER / PDU
300mm WIDE
INSTALLATION VIEWS

DWG NO: SYPX100SEISMIC

REV. 1

DRAWN BY: S CUNHA 30-SEP-19

THIRD

ENGINEER: K SILBERBAUER 30-SEP-19

ANGLE

PROJECT: STD SUBMITTAL DRAWINGS SHEET 5 OF 6

APPROVED BY: M DESHPANDE 30-SEP-19

PROJ



NOTES:

1. INSTALLATION SHALL COMPLY WITH ALL APPLICABLE NATIONAL, STATE AND LOCAL CODES.
2. PLEASE REFER TO PRODUCT DOCUMENTATION FOR FURTHER INFORMATION.
3. ALL DIMENSIONS ARE IN INCHES [MILLIMETERS].

THIS DRAWING AND SPECIFICATIONS HEREIN ARE THE PROPERTY OF SCHNEIDER ELECTRIC AND SHALL NOT BE COPIED, REPRODUCED OR USED IN WHOLE OR IN PART, AS THE BASIS FOR THE MANUFACTURE OR SALE OF ITEMS WITHOUT WRITTEN PERMISSION FROM SCHNEIDER ELECTRIC. THIS DRAWING IS BASED UPON LATEST AVAILABLE INFORMATION AND IS SUBJECT TO CHANGE WITHOUT NOTICE.



TITLE: SYMMETRA PX 100kW SEISMIC ANCHORING POWER / PDU 300mm WIDE PLAN VIEW

DWG NO: SYPX100SEISMIC

REV. 0

DRAWN BY: S CUNHA 25-OCT-13

THIRD

ENGINEER: K SILBERBAUER 25-OCT-13

ANGLE

PROJECT: STD SUBMITTAL DRAWINGS SHEET 6 OF 6

APPROVED BY: M DESHPANDE 25-OCT-13

PROJ

PDPM100SC/SYMBP100F FRAMES PLAN VIEW