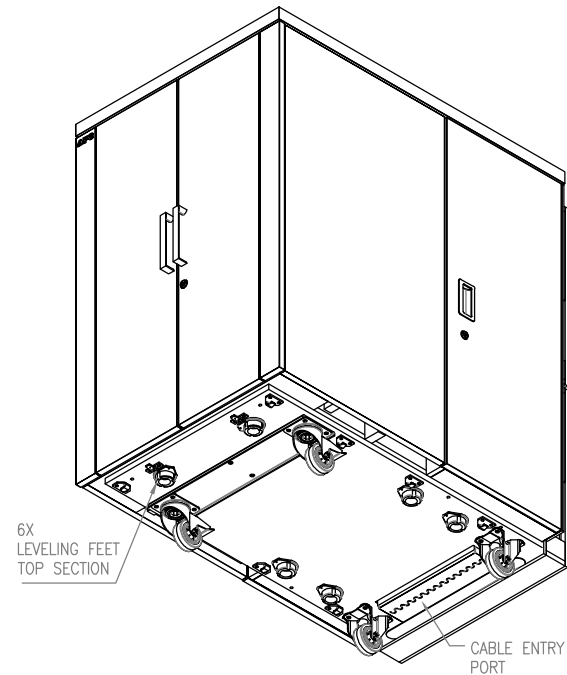
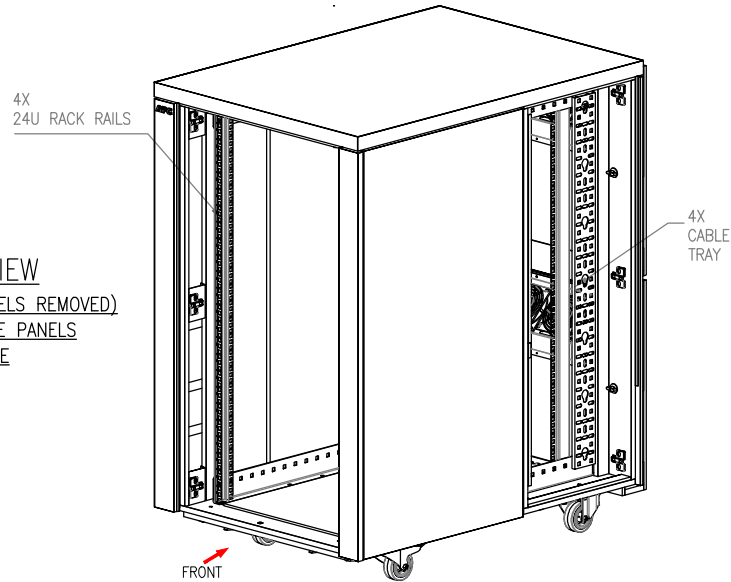


ISOMETRIC VIEW
(FRONT DOORS & SIDE PANELS REMOVED)
FRONT DOORS AND SIDE PANELS
ARE DETACHABLE



NOTES:

1. COMPLY WITH ALL APPLICABLE NATIONAL, STATE AND LOCAL ELECTRICAL REGULATIONS.
2. REFER TO THE PRODUCT DOCUMENTATION FOR ADDITIONAL DETAILS PRIOR TO INSTALLATION AND SITE PREPARATION WORK.

THIS DRAWING AND SPECIFICATIONS HEREIN ARE THE PROPERTY OF SCHNEIDER ELECTRIC AND SHALL NOT BE COPIED, REPRODUCED OR USED IN WHOLE OR IN PART, AS THE BASIS FOR THE MANUFACTURE OR SALE OF ITEMS WITHOUT WRITTEN PERMISSION FROM SCHNEIDER ELECTRIC. THIS DRAWING IS BASED UPON LATEST AVAILABLE INFORMATION AND IS SUBJECT TO CHANGE WITHOUT NOTICE.



TITLE: NetShelter CX Enclosure,
24U
750mm WIDEx1130mm DEEP
ISOMETRIC VIEWS

DWG NO: AR4024A

REV: 2

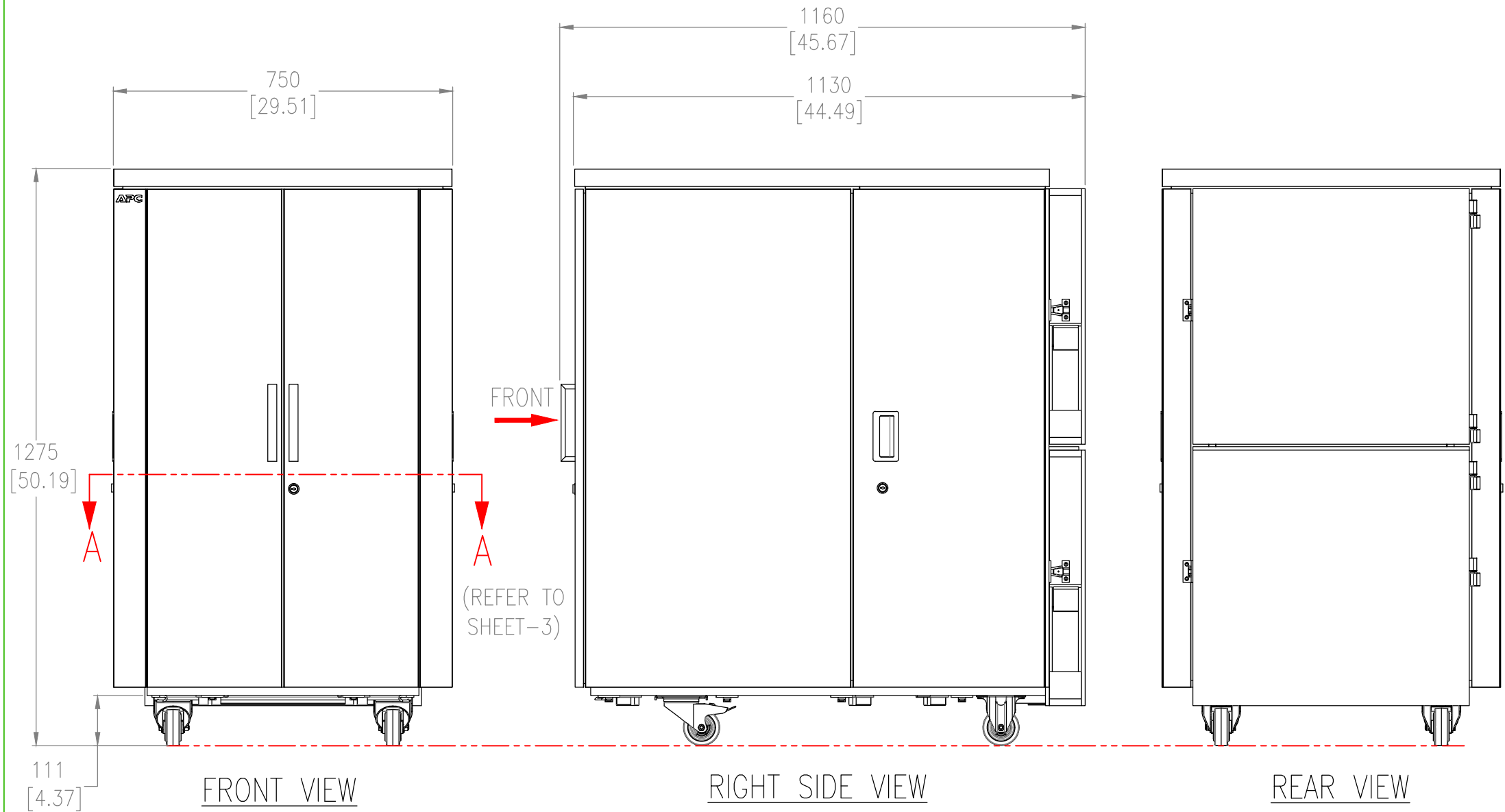
DRAWN BY: A DAVE 14-AUG-14

ENGINEER: A DAVE 14-AUG-14

APPROVED BY: S.FITTON 14-AUG-14

THIRD
ANGLE
PROJECTION

PROJECT: SUBMITTAL DRAWINGS SHEET 1 OF 5



NOTES:

1. COMPLY WITH ALL APPLICABLE NATIONAL, STATE AND LOCAL ELECTRICAL REGULATIONS.
2. REFER TO THE PRODUCT DOCUMENTATION FOR ADDITIONAL DETAILS PRIOR TO INSTALLATION AND SITE PREPARATION WORK.
3. ALL DIMENSIONS ARE IN MILLIMETERS [INCHES].
4. SHIPPING WEIGHT OF ENCLOSURE IS 200.00 Kg [440.92 lb].
5. CABLE ENTRY IS AT BOTTOM OF ENCLOSURE.
6. FRONT AND REAR ACCESS AVAILABLE.
7. ENCLOSURE WHEN SHIPPED DOES NOT HAVE PLINTH AND LEVELING FEET ATTACHED BUT ARE INCLUDED INSIDE THE ENCLOSURE. SEE SHEET 4 FOR DETAILS.

THIS DRAWING AND SPECIFICATIONS HEREIN ARE THE PROPERTY OF SCHNEIDER ELECTRIC AND SHALL NOT BE COPIED, REPRODUCED OR USED IN WHOLE OR IN PART, AS THE BASIS FOR THE MANUFACTURE OR SALE OF ITEMS WITHOUT WRITTEN PERMISSION FROM SCHNEIDER ELECTRIC. THIS DRAWING IS BASED UPON LATEST AVAILABLE INFORMATION AND IS SUBJECT TO CHANGE WITHOUT NOTICE.

**Schneider
Electric**

TITLE: NetShelter CX Enclosure,
24U
750mm WIDE x 1130mm DEEP
MAIN MECHANICAL

DWG NO: AR4024A

REV: 2

DRAWN BY: A.DAVE 30-JUN-14

THIRD

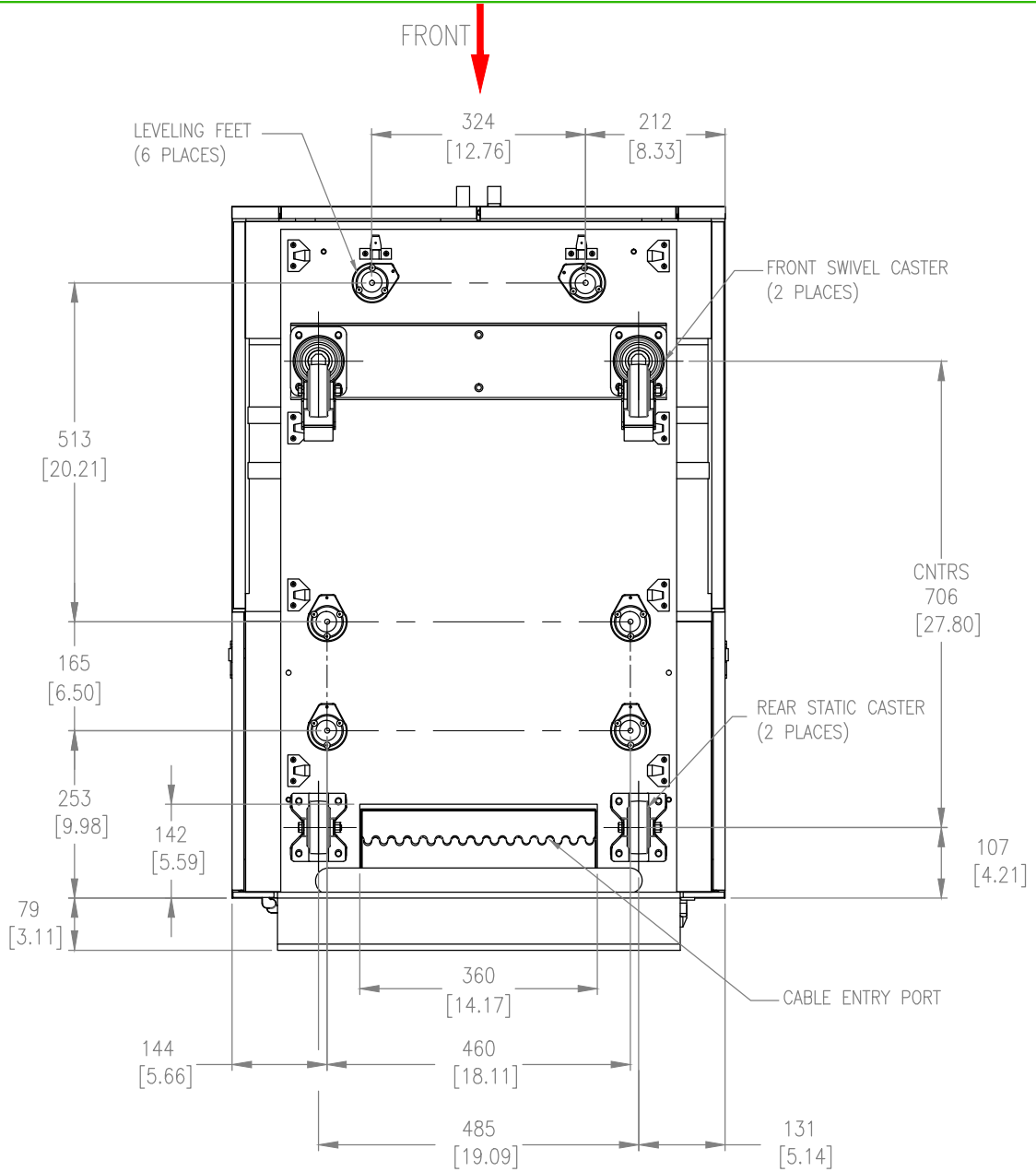
ENGINEER: A.DAVE 30-JUN-14

ANGLE

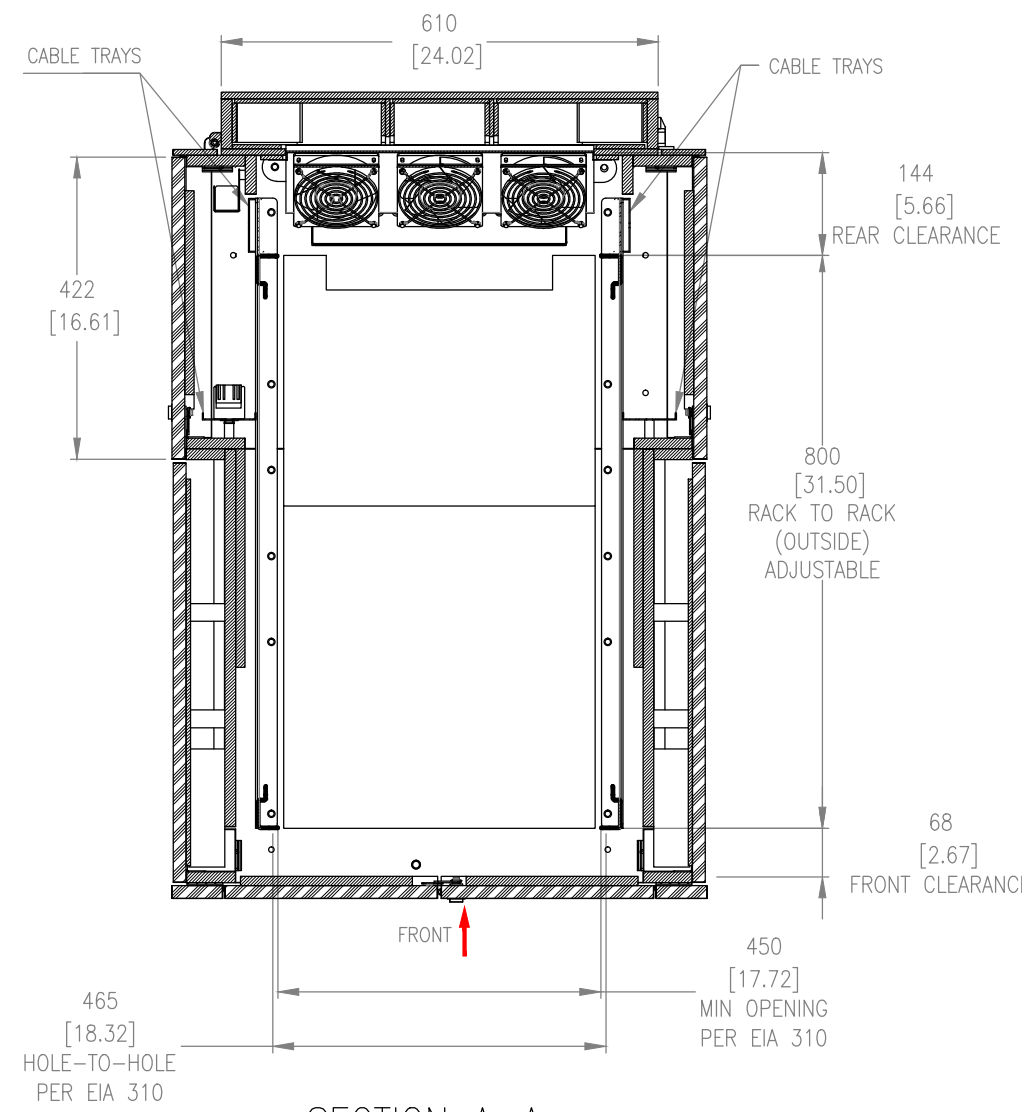
PROJECT: SUBMITTAL DRAWINGS SHEET 2 OF 5

APPROVED BY: S.FITTON 30-JUN-14

PROJECTION



BOTTOM VIEW



SECTION A-A
(VIEW FROM INSIDE ENCLOSURE
LOOKING DOWN)

- NOTES:**
1. COMPLY WITH ALL APPLICABLE NATIONAL, STATE AND LOCAL ELECTRICAL REGULATIONS.
 2. REFER TO THE PRODUCT DOCUMENTATION FOR ADDITIONAL DETAILS PRIOR TO INSTALLATION AND SITE PREPARATION WORK.
 3. ALL DIMENSIONS ARE IN MILLIMETERS [INCHES].

THIS DRAWING AND SPECIFICATIONS HEREIN ARE THE PROPERTY OF SCHNEIDER ELECTRIC AND SHALL NOT BE COPIED, REPRODUCED OR USED IN WHOLE OR IN PART, AS THE BASIS FOR THE MANUFACTURE OR SALE OF ITEMS WITHOUT WRITTEN PERMISSION FROM SCHNEIDER ELECTRIC. THIS DRAWING IS BASED UPON LATEST AVAILABLE INFORMATION AND IS SUBJECT TO CHANGE WITHOUT NOTICE.



TITLE: NetShelter CX Enclosure 24U
750mm WIDEx1130mm DEEP
BOTTOM AND SECTION VIEWS

PROJECT: SUBMITTAL DRAWINGS SHEET 3 OF 5

DWG NO: AR4024A

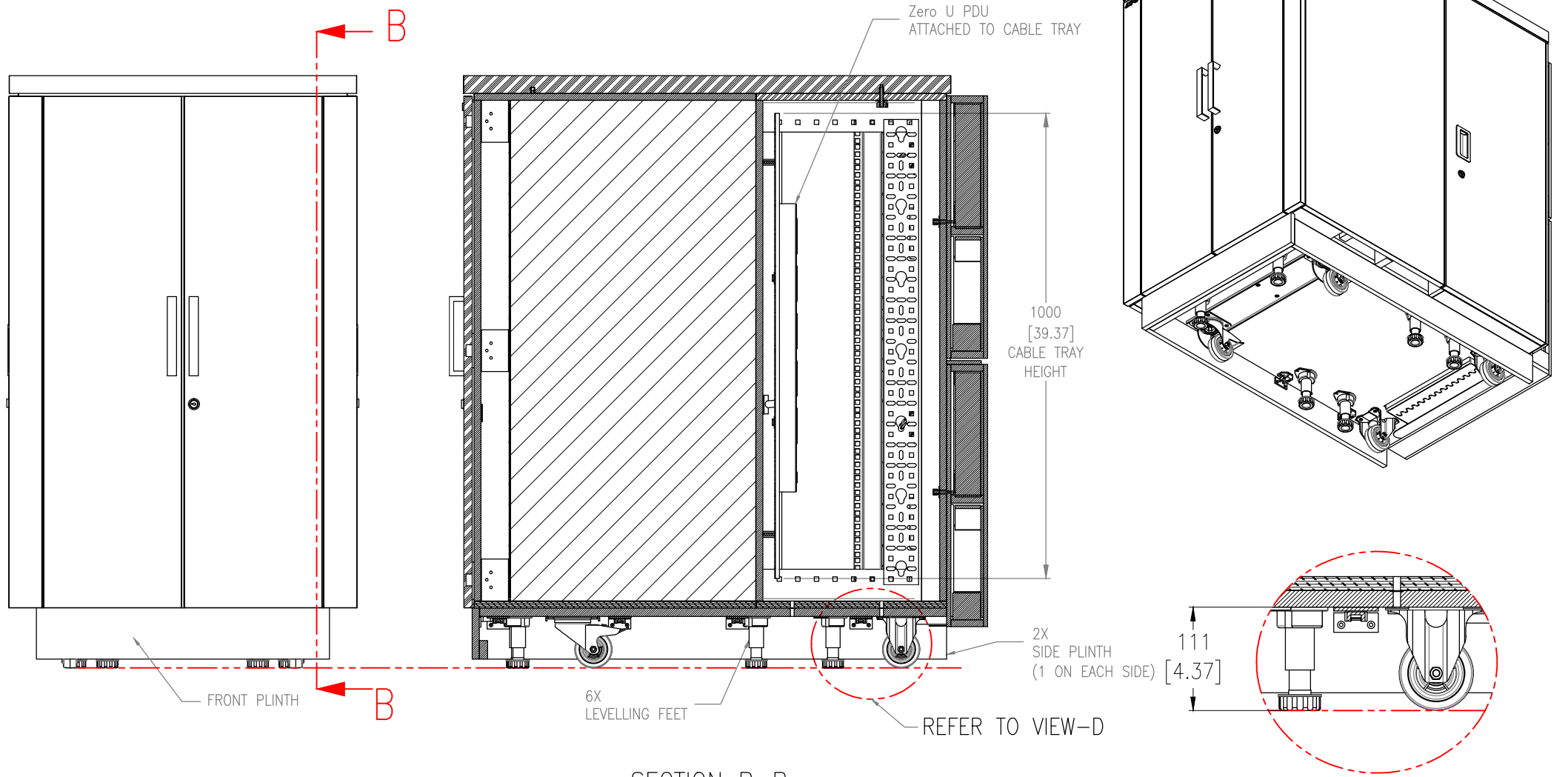
DRAWN BY: A.DAVE 30-JUN-14

ENGINEER: A.DAVE 30-JUN-14

APPROVED BY: S.FITTON 30-JUN-14

REV. 1

THIRD ANGLE PROJECTION



NOTES:

1. COMPLY WITH ALL APPLICABLE NATIONAL, STATE AND LOCAL ELECTRICAL REGULATIONS.
2. REFER TO THE PRODUCT DOCUMENTATION FOR ADDITIONAL DETAILS PRIOR TO INSTALLATION AND SITE PREPARATION WORK.
3. ALL DIMENSIONS ARE IN MILLIMETERS [INCHES].

THIS DRAWING AND SPECIFICATIONS HEREIN ARE THE PROPERTY OF SCHNEIDER ELECTRIC AND SHALL NOT BE COPIED, REPRODUCED OR USED IN WHOLE OR IN PART, AS THE BASIS FOR THE MANUFACTURE OR SALE OF ITEMS WITHOUT WRITTEN PERMISSION FROM SCHNEIDER ELECTRIC. THIS DRAWING IS BASED UPON LATEST AVAILABLE INFORMATION AND IS SUBJECT TO CHANGE WITHOUT NOTICE.



TITLE: NetShelter CX Enclosure, 24U
750mm WIDEx1130mm DEEP WITH PLINTH AND FEET ATTACHED

PROJECT: SUBMITTAL DRAWINGS SHEET 4 OF 5

DWG NO: AR4024A

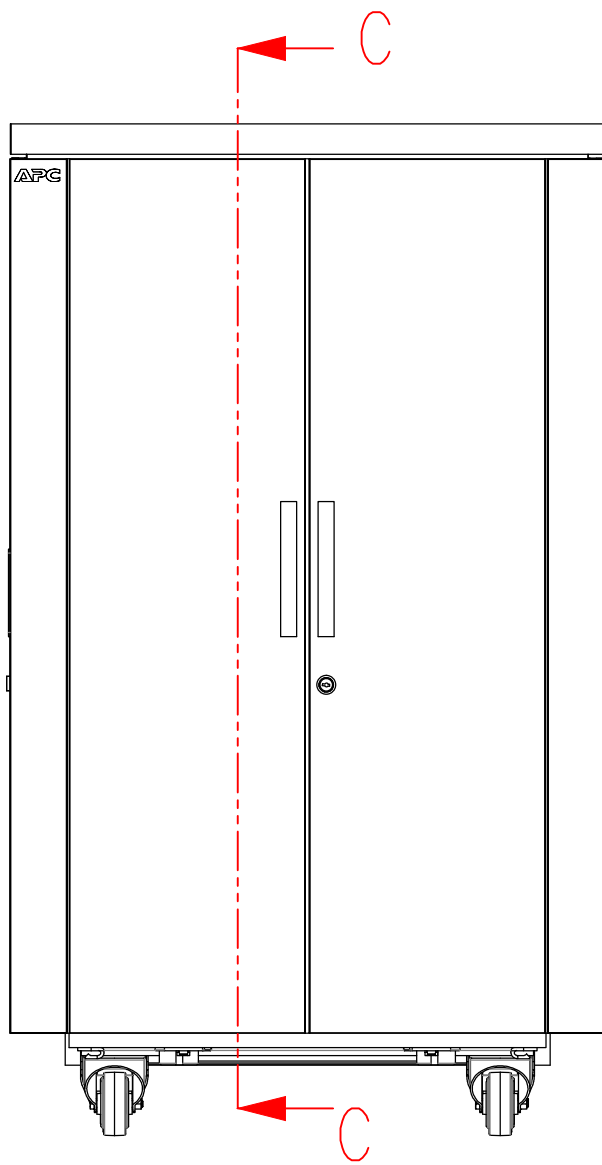
DRAWN BY: A.DAVE 30-JUN-14

ENGINEER: A.DAVE 30-JUN-14

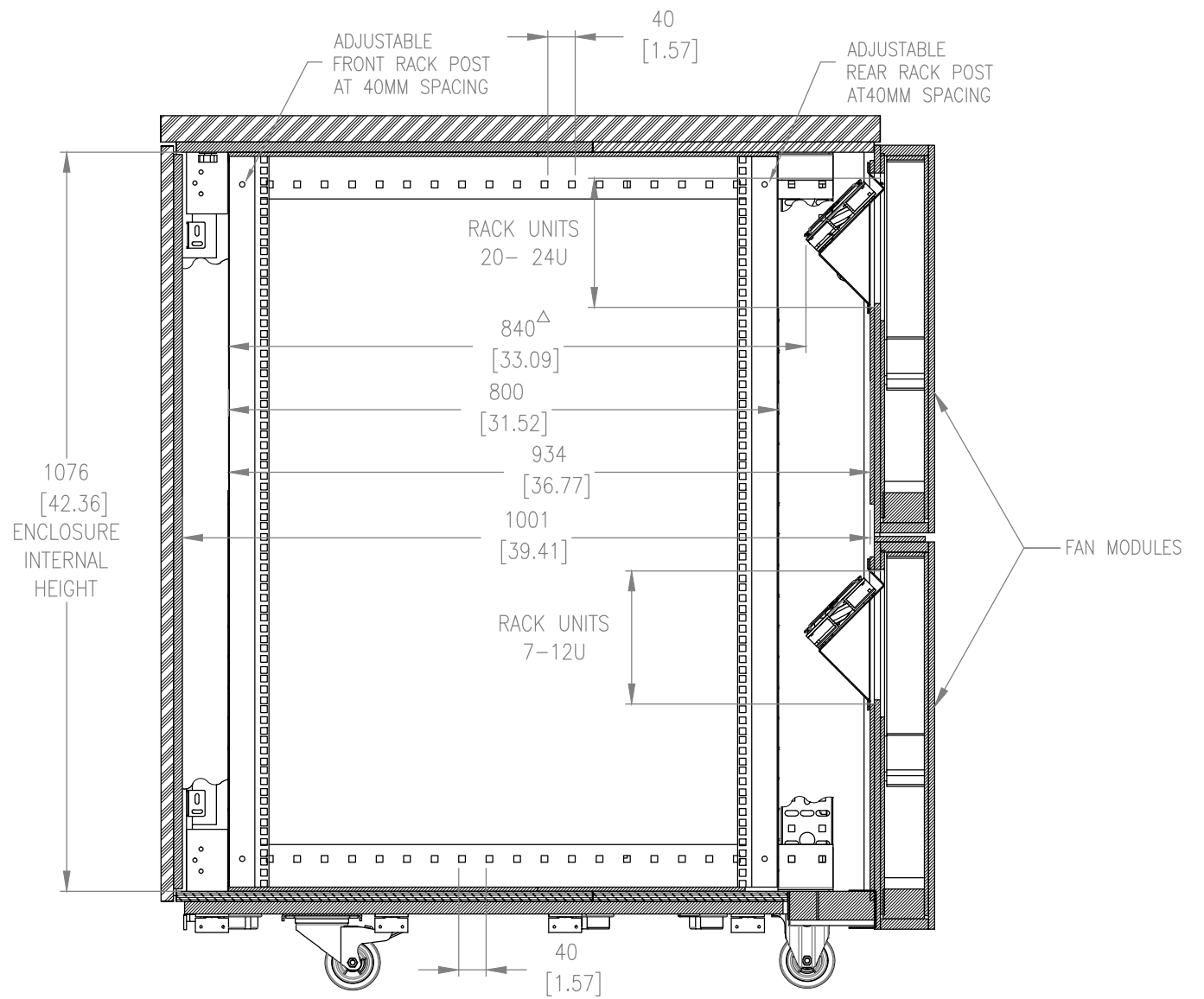
APPROVED BY: S.FITTON 30-JUN-14

REV. 1

THIRD ANGLE PROJECTION



FRONT VIEW



SECTION C-C

△ — DUE TO TRIANGULAR PROTRUSION OF FAN MODULES, INTERNAL CABINET DEPTH REDUCED TO 840mm BETWEEN SPECIFIED RACK UNITS.

NOTES:

1. COMPLY WITH ALL APPLICABLE NATIONAL, STATE AND LOCAL ELECTRICAL REGULATIONS.
2. REFER TO THE PRODUCT DOCUMENTATION FOR ADDITIONAL DETAILS PRIOR TO INSTALLATION AND SITE PREPARATION WORK.
3. ALL DIMENSIONS ARE IN MILLIMETERS [INCHES].

THIS DRAWING AND SPECIFICATIONS HEREIN ARE THE PROPERTY OF SCHNEIDER ELECTRIC AND SHALL NOT BE COPIED, REPRODUCED OR USED IN WHOLE OR IN PART, AS THE BASIS FOR THE MANUFACTURE OR SALE OF ITEMS WITHOUT WRITTEN PERMISSION FROM SCHNEIDER ELECTRIC. THIS DRAWING IS BASED UPON LATEST AVAILABLE INFORMATION AND IS SUBJECT TO CHANGE WITHOUT NOTICE.



TITLE: NetShelter CX Enclosure 24U
750mm WIDEx1130mm DEEP
INTERNAL VIEWS
PROJECT: SUBMITTAL DRAWINGS SHEET 5 OF 5

DWG NO: AR4024A
DRAWN BY: A.DAVE 30-JUN-14
ENGINEER: A.DAVE 30-JUN-14
APPROVED BY: S.FITTON 30-JUN-14

REV. 1
THIRD ANGLE PROJECTION

SHT	DRAWING NUMBER	REVISION									REVISION DESCRIPTION	REVISION INITIATED BY (ECO/ENGR)	REVISION APPROVED BY
		1	2	3	4	5	6	7	8	9			
1	AR4024A		X								PALLET DETAILS ADDED	AD	SF
2	AR4024A		X								MAIN MECHANICAL WITH REAR VIEW ADDED. INTERNAL VIEW MOVED TO SH.5 AND INTERNAL BOTTOM VIEW MOVED TO SH.3	AD	SF
3	AR4024A	X									SHEET ADDED	AD	SF
4	AR4024A	X									SHEET ADDED	AD	SF
5	AR4024A	X									SHEET ADDED	AD	SF

NOTE:
 △FOR PREVIOUS REVISIONS, CONTACT CAD TEAM.

FILE: AR4024A_-_NetShelter_CX_24U	INITIALLY DRAWN BY: A.DAVE	FILE REV: 3
INITIAL RELEASE: 30-JUN-14	INITIALLY APPROVED BY: S.FITTON	DATE: 14-AUG-14

