

NOTES:

1. INSTALLATION SHALL COMPLY WITH ALL APPLICABLE NATIONAL AND LOCAL CODES.
2. SEE PRODUCT DOCUMENTATION FOR FURTHER INFORMATION.
3. FOR ADDITIONAL DETAILS REFER TO DRAWINGS FOR INDIVIDUAL COMPONENTS.

THIS DRAWING AND SPECIFICATIONS HEREIN ARE THE PROPERTY OF SCHNEIDER ELECTRIC AND SHALL NOT BE COPIED, REPRODUCED OR USED IN WHOLE OR IN PART, AS THE BASIS FOR THE MANUFACTURE OR SALE OF ITEMS WITHOUT WRITTEN PERMISSION FROM SCHNEIDER ELECTRIC. THIS DRAWING IS BASED UPON LATEST AVAILABLE INFORMATION AND IS SUBJECT TO CHANGE WITHOUT NOTICE.



TITLE: Smart-UPS Online (SRT) w/ TRANSFORMER
 SRT6KRMXLT-5KTF + SRT192RMBP - RACKMOUNT
 INPUT: 208VAC, (L1+L2+G), HARDWIRE
 UPS OUTPUT: 208VAC, (1) HARDWIRE, 3-WIRE (L1+L2+G),
 (2) NEMA L6-20R, (1) NEMA L6-30R, (2) NEMA L6-30R
 TRANSFORMER OUTPUT: 120VAC, (12) 5-20R
 ISOMETRIC VIEWS

PROJECT: STD SUBMITTAL DRAWING SHEET 1 OF 4

DWG NO: SRT6KRMXLT-5KTF

REV 0

DRAWN BY: S CUNHA 16JUN2015

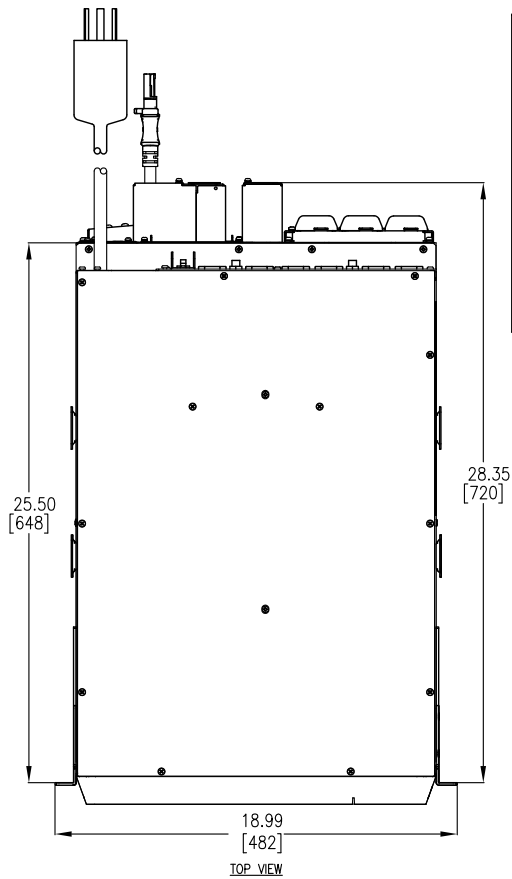
THIRD

ENGINEER: E KOTLYAR 16JUN2015

ANGLE

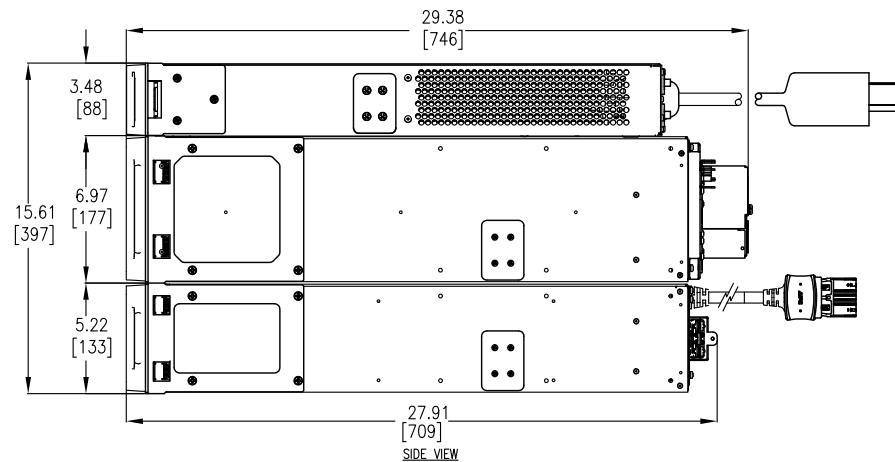
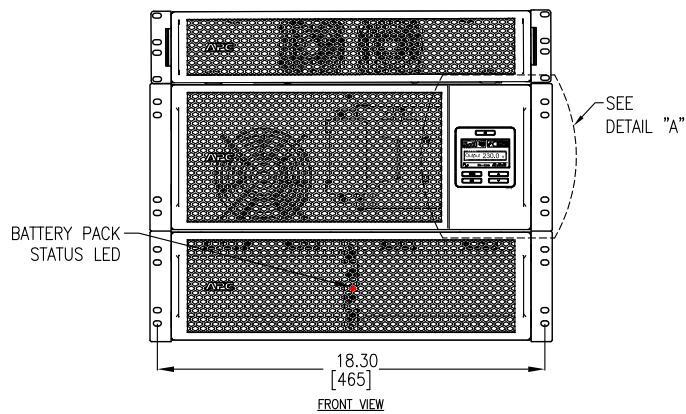
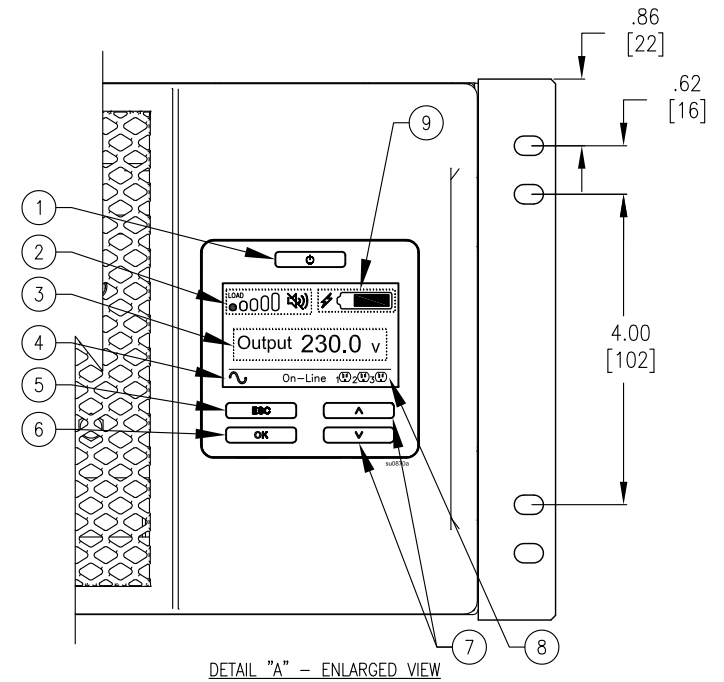
APPROVED BY: K WHITE/J PRECOPIO 16JUN2015

PROJ



DISPLAY INTERFACE:

1. POWER "ON/OFF" BUTTON.
2. LOAD ICON, DISABLE/MUTE AUDIBLE ALARM ICON.
3. UPS STATUS INFORMATION.
4. OPERATION MODE ICONS.
5. "ESCAPE" BUTTON.
6. "OK" BUTTON.
7. "UP/DOWN" BUTTONS.
8. CONTROLLABLE OUTLET GROUP STATUS ICONS.
9. BATTERY STATUS ICONS.



NOTES:

1. INSTALLATION SHALL COMPLY WITH ALL APPLICABLE NATIONAL, STATE AND LOCAL CODES.
2. PLEASE REFER TO PRODUCT DOCUMENTATION FOR FURTHER INFORMATION.
3. UNLESS OTHERWISE SPECIFIED, ALL DIMENSIONS ARE IN INCHES [MILLIMETERS].
4. WEIGHT OF UNIT IS 452.20 LBS [205.60 KG].
5. CABLE ENTRY FROM REAR SIDE OF UNIT.

THIS DRAWING AND SPECIFICATIONS HEREIN ARE THE PROPERTY OF SCHNEIDER ELECTRIC AND SHALL NOT BE COPIED, REPRODUCED OR USED IN WHOLE OR IN PART, AS THE BASIS FOR THE MANUFACTURE OR SALE OF ITEMS WITHOUT WRITTEN PERMISSION FROM SCHNEIDER ELECTRIC. THIS DRAWING IS BASED UPON LATEST AVAILABLE INFORMATION AND IS SUBJECT TO CHANGE WITHOUT NOTICE.



TITLE: Smart-UPS Online (SRT) w/ TRANSFORMER
SRT6KRMXLT-5KTF + SRT192RMBP - RACKMOUNT
INPUT: 208VAC, (L1+L2+G), HARDWIRE
UPS OUTPUT: 208VAC, (1) HARDWIRE, 3-WIRE (L1+L2+G),
(2) NEMA L6-30R, (1) NEMA L6-30R, (2) NEMA L6-30R
TRANSFORMER OUTPUT: 120VAC, (12) 5-20R
MAIN MECHANICAL

PROJECT: STD SUBMITTAL DRAWING SHEET 2 OF 4

DWG NO: SRT6KRMXLT-5KTF

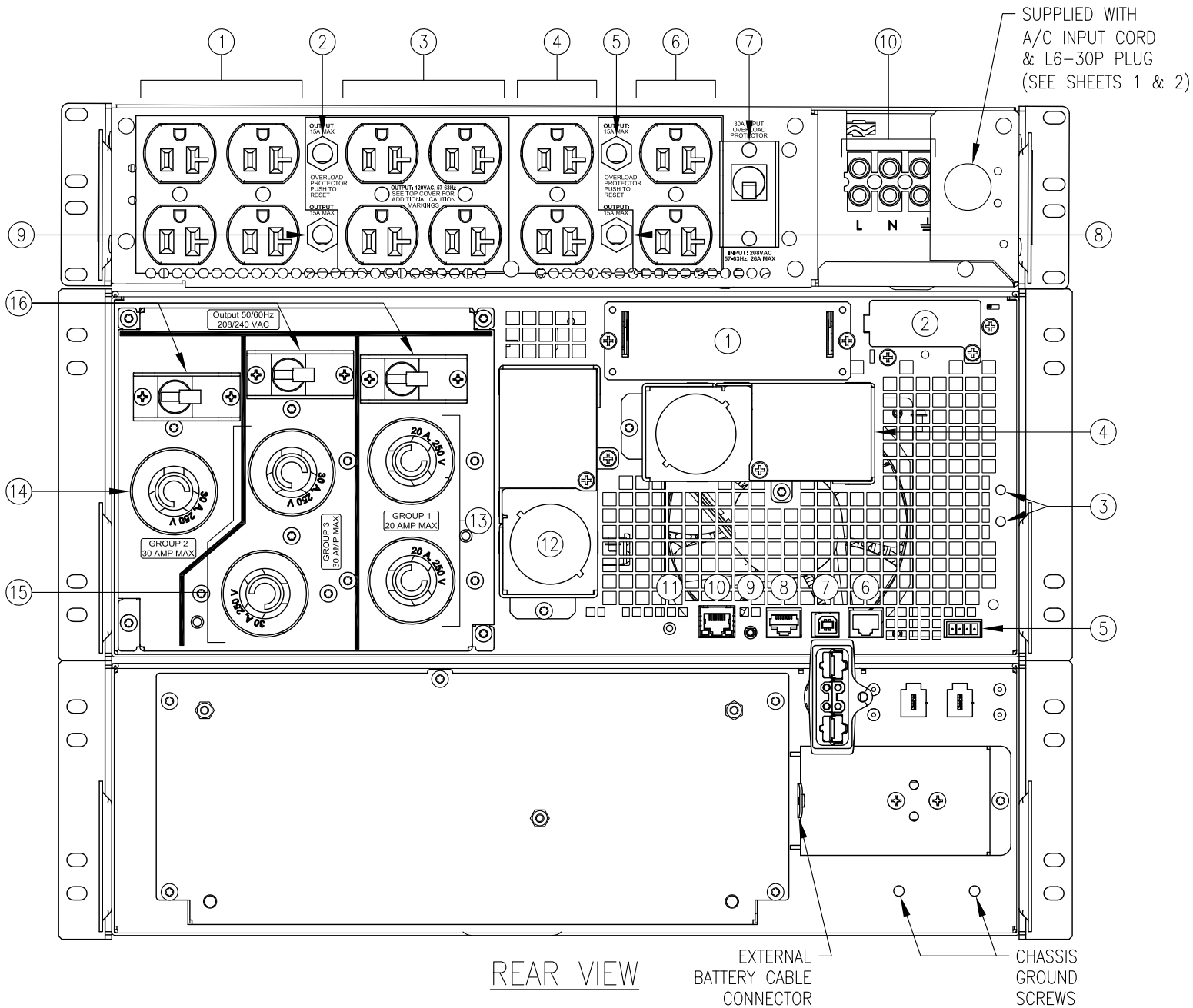
REV 0

DRAWN BY: S CUNHA 16JUN2015

ENGINEER: E KOTLYAR 16JUN2015

APPROVED BY: K WHITE/J PRECOPIO 16JUN2015

THIRD ANGLE PROJ



SRT5KRMTE: (NUMBERING PER USER MANUAL)

1. 15A MAXIMUM OUTPUT
2. OVERLOAD PROTECTOR
3. 15A MAXIMUM OUTPUT
4. 15A MAXIMUM OUTPUT
5. OVERLOAD PROTECTOR
6. 15A MAXIMUM OUTPUT
7. INPUT OVERLOAD PROTECTOR
8. OVERLOAD PROTECTOR
9. OVERLOAD PROTECTOR
10. INPUT POWER CORD CONNECTION

SRT6KRMXLT: (NUMBERING PER OPERATIONS MANUAL)

1. SMART SLOT
2. EXTERNAL BATTERY PACK CONNECTOR
3. CHASSIS GROUND SCREWS
4. 208V, HARDWIRED UPS A/C OUTPUT CORD (PROVIDED BY OTHERS)
5. EPO TERMINAL
6. SERIAL COM
7. USB PORT
8. UNIVERSAL I/O PORT
9. CONSOLE PORT
10. NETWORK PORT
11. RESET BUTTON
12. UPS INPUT POWER CABLE
13. CONTROLLABLE OUTLET GROUP 1 [(2)NEMA L6-20R]
14. CONTROLLABLE OUTLET GROUP 2 [(1)NEMA L6-30R]
15. CONTROLLABLE OUTLET GROUP 3 [(2)NEMA L6-30R]
16. UPS OUTLET GROUP CIRCUIT BREAKER RESET BUTTON OR SWITCH

NOTES:

1. INSTALLATION SHALL COMPLY WITH ALL APPLICABLE NATIONAL, STATE AND LOCAL CODES.
2. PLEASE REFER TO PRODUCT DOCUMENTATION FOR FURTHER INFORMATION.

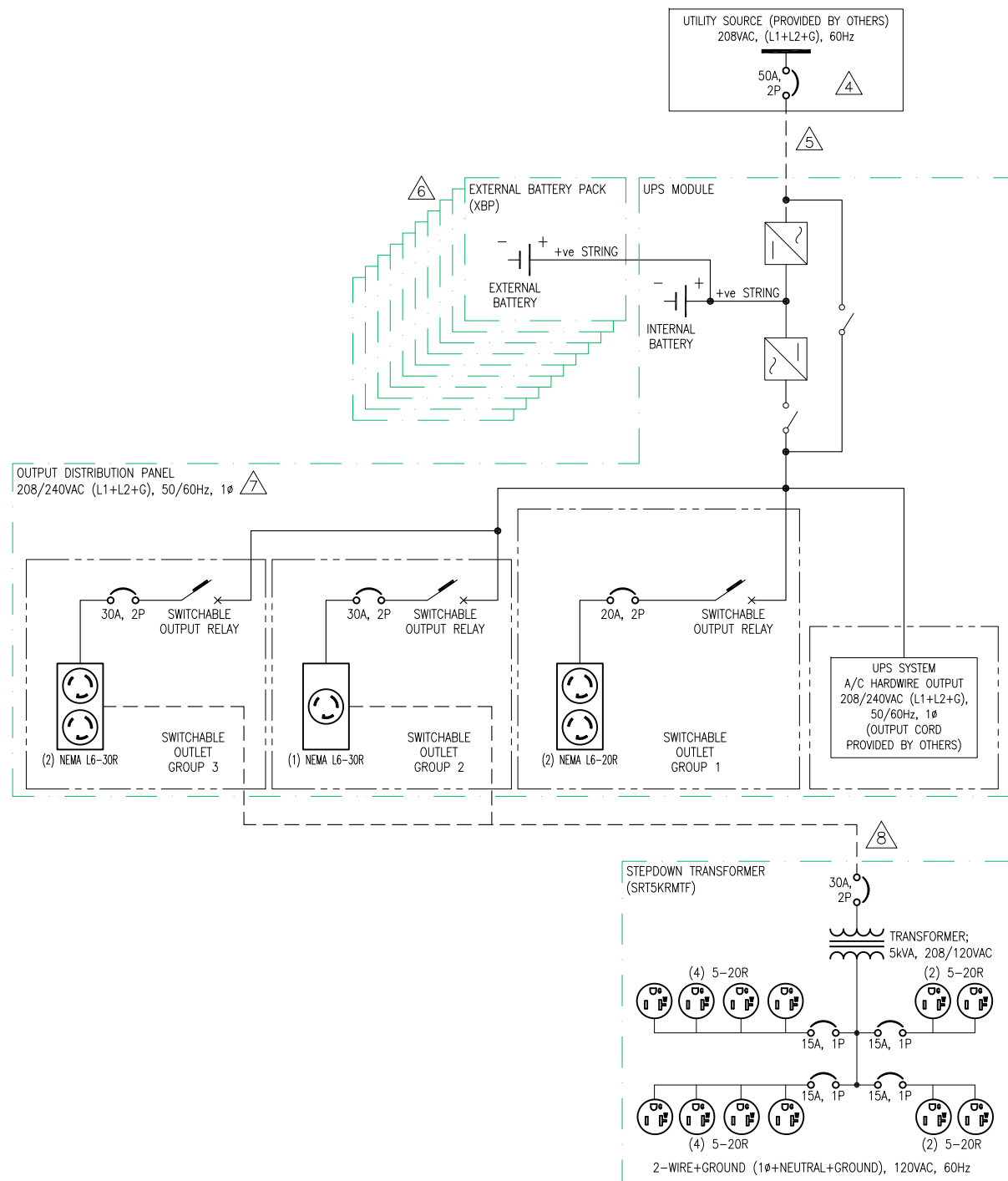
THIS DRAWING AND SPECIFICATIONS HEREIN ARE THE PROPERTY OF SCHNEIDER ELECTRIC AND SHALL NOT BE COPIED, REPRODUCED OR USED IN WHOLE OR IN PART, AS THE BASIS FOR THE MANUFACTURE OR SALE OF ITEMS WITHOUT WRITTEN PERMISSION FROM SCHNEIDER ELECTRIC. THIS DRAWING IS BASED UPON LATEST AVAILABLE INFORMATION AND IS SUBJECT TO CHANGE WITHOUT NOTICE.



TITLE: Smart-UPS Online (SRT) w/ TRANSFORMER
SRT6KRMXLT-5KTF + SRT192RMBP - RACKMOUNT
INPUT: 208VAC, (L1+L2+G), HARDWIRE
UPS OUTPUT: 208VAC, (1) HARDWIRE, 3-WIRE (L1+L2+G),
(2) NEMA L6-20R, (1) NEMA L6-30R, (2) NEMA L6-30R
TRANSFORMER OUTPUT: 120VAC, (12) 5-20R
REAR VIEW

PROJECT: STD SUBMITTAL DRAWING SHEET 3 OF 4

DWG NO:	SRT6KRMXLT-5KTF		REV	0
DRAWN BY:	S CUNHA	16JUN2015	THIRD ANGLE PROJ	
ENGINEER:	E KOTLYAR	16JUN2015		
APPROVED BY:	K WHITE/J PRECOPIO	16JUN2015		



NOTES:

1. INSTALLATION SHALL COMPLY WITH ALL APPLICABLE NATIONAL, STATE AND LOCAL CODES.
2. PLEASE REFER TO PRODUCT DOCUMENTATION FOR FURTHER INFORMATION.
3. STD SUBMITTAL DRAWING DEPICTS POWER SYSTEM CONNECTIONS AND IS NOT REPRESENTATIVE OF PHYSICAL LAYOUT. PLEASE REFER TO MECHANICAL STD SUBMITTAL DRAWINGS FOR MORE SPECIFIC PHYSICAL DATA.
- △4. UTILITY SOURCE MUST BE NOMINAL 208VAC, (L1+L2+G), 60Hz, PROVIDED BY OTHERS.
- △5. DASHED LINES BETWEEN UTILITY SOURCE & THE UNIT (-----) REPRESENT CABLING PROVIDED BY OTHERS.
- △6. ADDITIONAL EXTERNAL BATTERY PACKS (UP TO 10), CAN BE CONNECTED TO INCREASE THE RUN TIME FURTHER.
- △7. OUTPUT DISTRIBUTION PANEL CONTAINS SWITCHABLE OUTPUT GROUPS. REFER TO INSTALLATION MANUAL FOR DETAILED INSTRUCTIONS.
- △8. DASHED LINE BETWEEN UPS AND STEP-DOWN TRANSFORMER (----) REPRESENTS POWER CORD (WITH L6-30P, TWIST-LOCK), PROVIDED BY Schneider Electric. CONNECT TO EITHER OUTLET GROUP 2 OR OUTLET GROUP 3.

THIS DRAWING AND SPECIFICATIONS HEREIN ARE THE PROPERTY OF SCHNEIDER ELECTRIC AND SHALL NOT BE COPIED, REPRODUCED OR USED IN WHOLE OR IN PART, AS THE BASIS FOR THE MANUFACTURE OR SALE OF ITEMS WITHOUT WRITTEN PERMISSION FROM SCHNEIDER ELECTRIC. THIS DRAWING IS BASED UPON LATEST AVAILABLE INFORMATION AND IS SUBJECT TO CHANGE WITHOUT NOTICE.



TITLE: Smart-UPS Online (SRT) w/ TRANSFORMER
 SRT6KRMXLT-5KTF + SRT192RMBP - RACKMOUNT
 INPUT: 208VAC, (L1+L2+G), HARDWARE
 UPS OUTPUT: 208VAC, (1) NEMA L6-30R, (2) NEMA L6-30R
 TRANSFORMER OUTPUT: 120VAC, (12) 5-20R
 SYSTEM SINGLE-LINE DIAGRAM

PROJECT: STD SUBMITTAL DRAWING SHEET 4 OF 4

DWG NO: SRT6KRMXLT-5KTF

DRAWN BY: S CUNHA 16JUN2015

ENGINEER: C JAYARAMAN 16JUN2015

APPROVED BY: K WHITE/J PRECOPIO 16JUN2015

REV 0

PROJ ANGLE
REV N/A