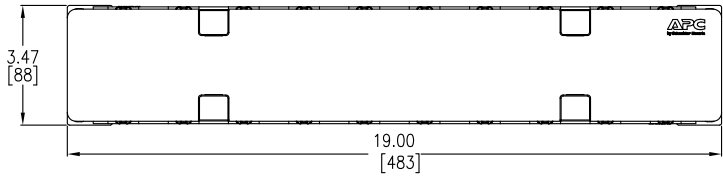
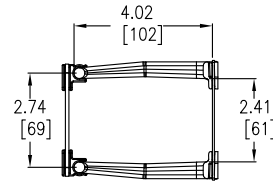


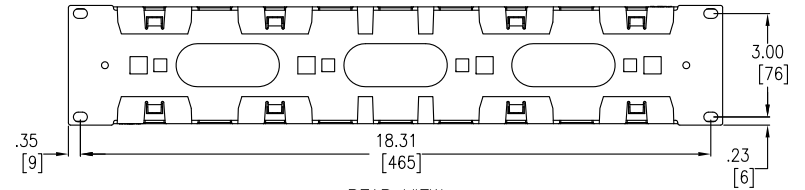
TOP VIEW



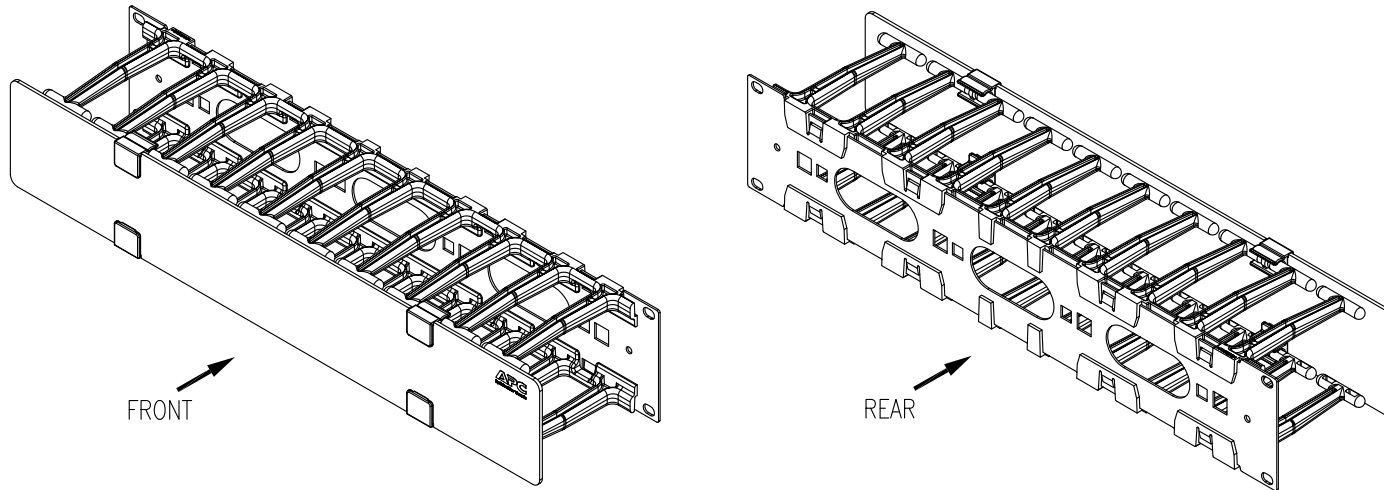
FRONT VIEW



RIGHT SIDE VIEW



REAR VIEW



ISOMETRIC VIEW

NOTES:

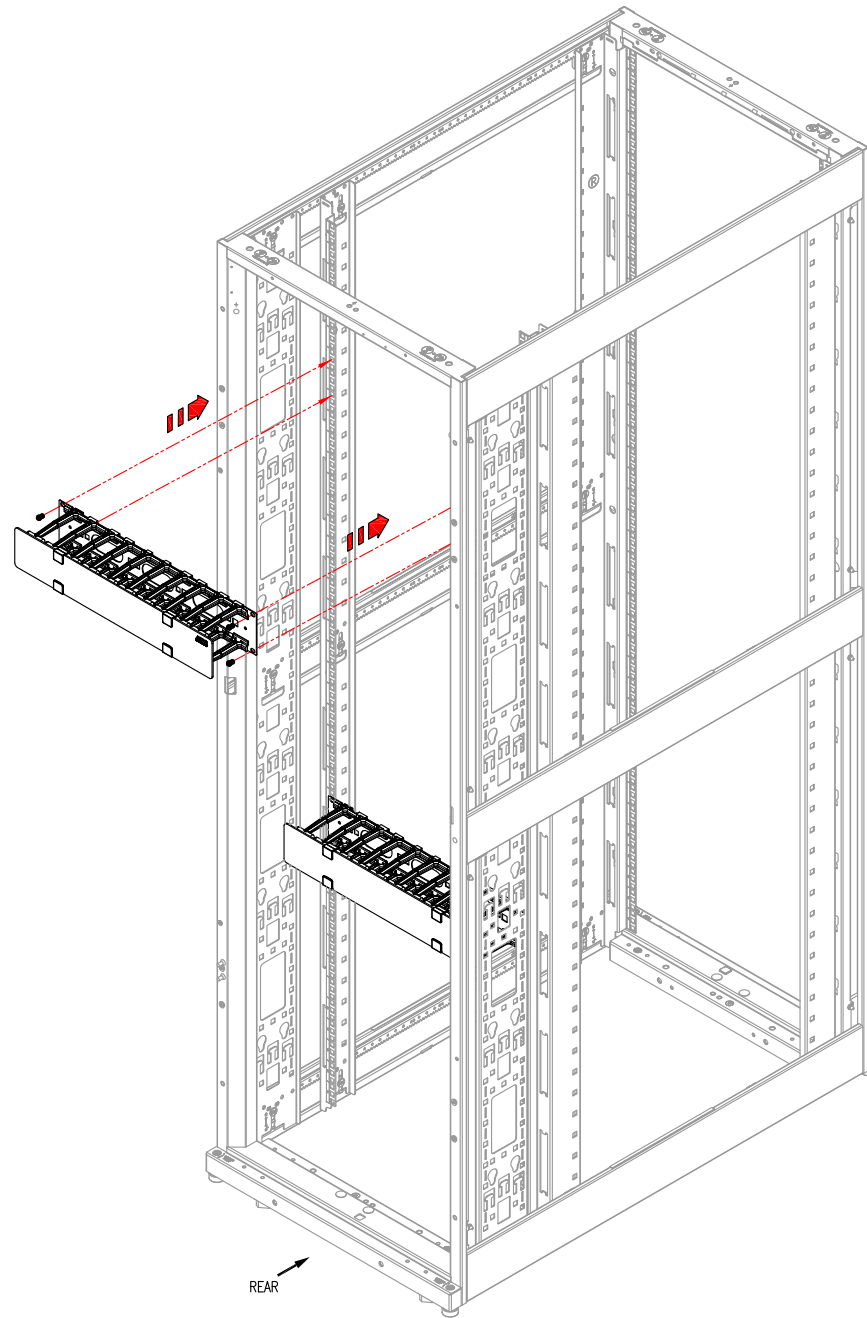
1. INSTALLATION SHALL COMPLY WITH ALL APPLICABLE NATIONAL, STATE AND LOCAL CODES.
2. PLEASE REFER TO PRODUCT DOCUMENTATION FOR FURTHER INFORMATION.
3. ALL DIMENSIONS ARE IN INCHES [MILLIMETERS].
4. WEIGHT OF UNIT IS 2.25 LBS [1.02 KG].

THIS DRAWING AND SPECIFICATIONS HEREIN ARE THE PROPERTY OF SCHNEIDER ELECTRIC AND SHALL NOT BE COPIED, REPRODUCED OR USED IN WHOLE OR IN PART, AS THE BASIS FOR THE MANUFACTURE OR SALE OF ITEMS WITHOUT WRITTEN PERMISSION FROM SCHNEIDER ELECTRIC. THIS DRAWING IS BASED UPON LATEST AVAILABLE INFORMATION AND IS SUBJECT TO CHANGE WITHOUT NOTICE.



TITLE:
HORIZONTAL CABLE MANAGER
FOR NETSHELTER SX
2U x 4" DEEP, SINGLE-SIDED w/ COVER
MAIN MECHANICAL
PROJECT: STD SUBMITTAL DRAWINGS SHEET 1 OF 2

DWG NO:	AR8600A		REV.	1
DRAWN BY:	S CUNHA	27-FEB-14	THIRD	ANGLE
ENGINEER:	P FISCHER	27-FEB-14	PROJ	
APPROVED BY:	B MITCHELL	27-FEB-14		



NOTES:

1. INSTALLATION SHALL COMPLY WITH ALL APPLICABLE NATIONAL, STATE AND LOCAL CODES.
2. ONLY TWO ITEMS PER SKU.
3. REFER TO ENCLOSURE USER MANUAL FOR RAIL ADJUSTMENT TO ACCOMMODATE MOUNTING OF THE HORIZONTAL CABLE MANAGER.

AR3100 NETSHELTER SHOWN

THIS DRAWING AND SPECIFICATIONS HEREIN ARE THE PROPERTY OF SCHNEIDER ELECTRIC AND SHALL NOT BE COPIED, REPRODUCED OR USED IN WHOLE OR IN PART, AS THE BASIS FOR THE MANUFACTURE OR SALE OF ITEMS WITHOUT WRITTEN PERMISSION FROM SCHNEIDER ELECTRIC. THIS DRAWING IS BASED UPON LATEST AVAILABLE INFORMATION AND IS SUBJECT TO CHANGE WITHOUT NOTICE.



TITLE:
HORIZONTAL CABLE MANAGER
FOR NETSHELTER SX
2U x 4" DEEP, SINGLE-SIDED w/ COVER
PRODUCT APPLICATION

PROJECT: STD SUBMITTAL DRAWINGS SHEET 2 OF 2

DWG NO: AR8600A

DRAWN BY: S CUNHA	27-FEB-14
ENGINEER: P FISCHER	27-FEB-14
APPROVED BY: B MITCHELL	27-FEB-14

REV. 1
THIRD ANGLE PROJ