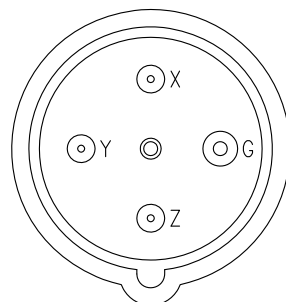
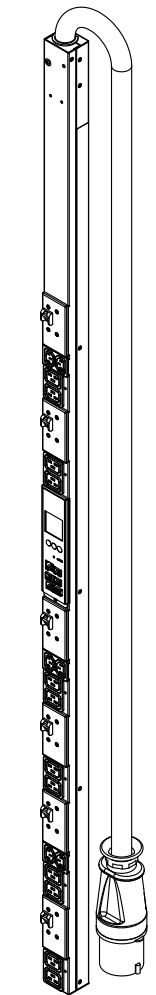


DETAIL A

DETAIL B

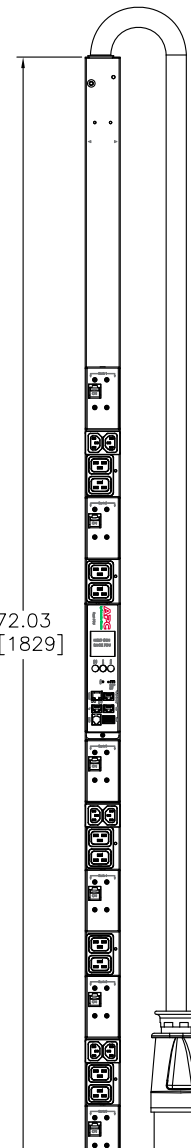


DETAIL C
(IEC 309, 60A, 3Ø+PE)

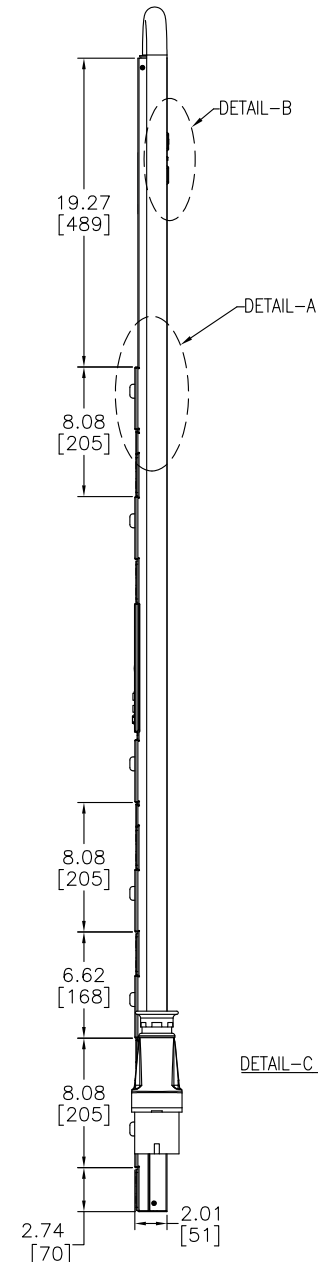


ISOMETRIC VIEW

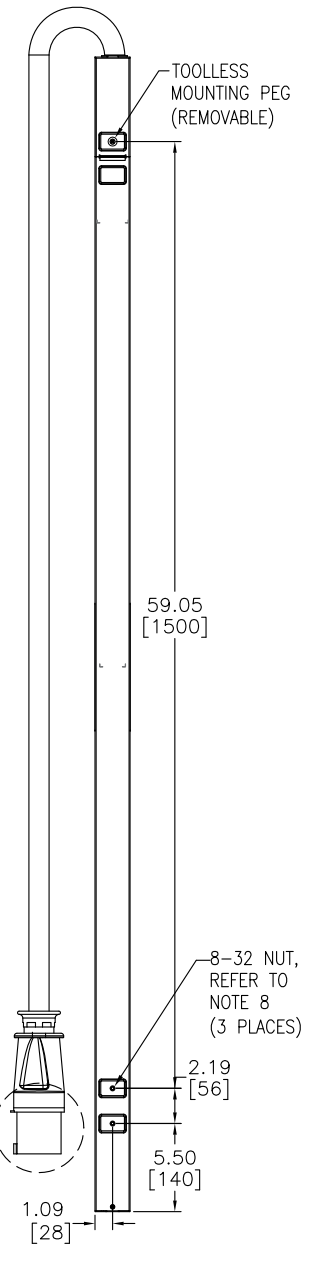
72.03
[1829]



FRONT VIEW



SIDE VIEW



REAR VIEW

NOTES:

1. INSTALLATION SHALL COMPLY WITH ALL APPLICABLE NATIONAL, STATE AND LOCAL CODES.
2. SEE PRODUCT DOCUMENTATION FOR FURTHER INFORMATION
3. UNLESS OTHERWISE SPECIFIED, ALL DIMENSIONS ARE IN INCHES [MILLIMETERS].
4. NET WEIGHT OF UNIT IS 20.90 LBS [9.50 kg].
5. LENGTH OF THE CORD IS 72.00 IN [1828 MM].
6. UNIVERSAL MOUNTING BRACKET IS AN ALTERNATIVE MOUNTING METHOD TO THE TOOLLESS MOUNT FOR 3RD PARTY ENCLOSURES. BRACKET IS PROVIDED WITH THE UNIT. DETAILED INSTALLATION INSTRUCTIONS CAN BE FOUND IN THE PROVIDED MANUAL.
7. BRACKET KITS TO MOUNT TO SPECIFIC 3RD PARTY ENCLOSURES ARE AVAILABLE AS OPTIONS.
8. REFER TO WARNING LABEL ON REAR OF UNIT FOR SCREW MOUNTING.

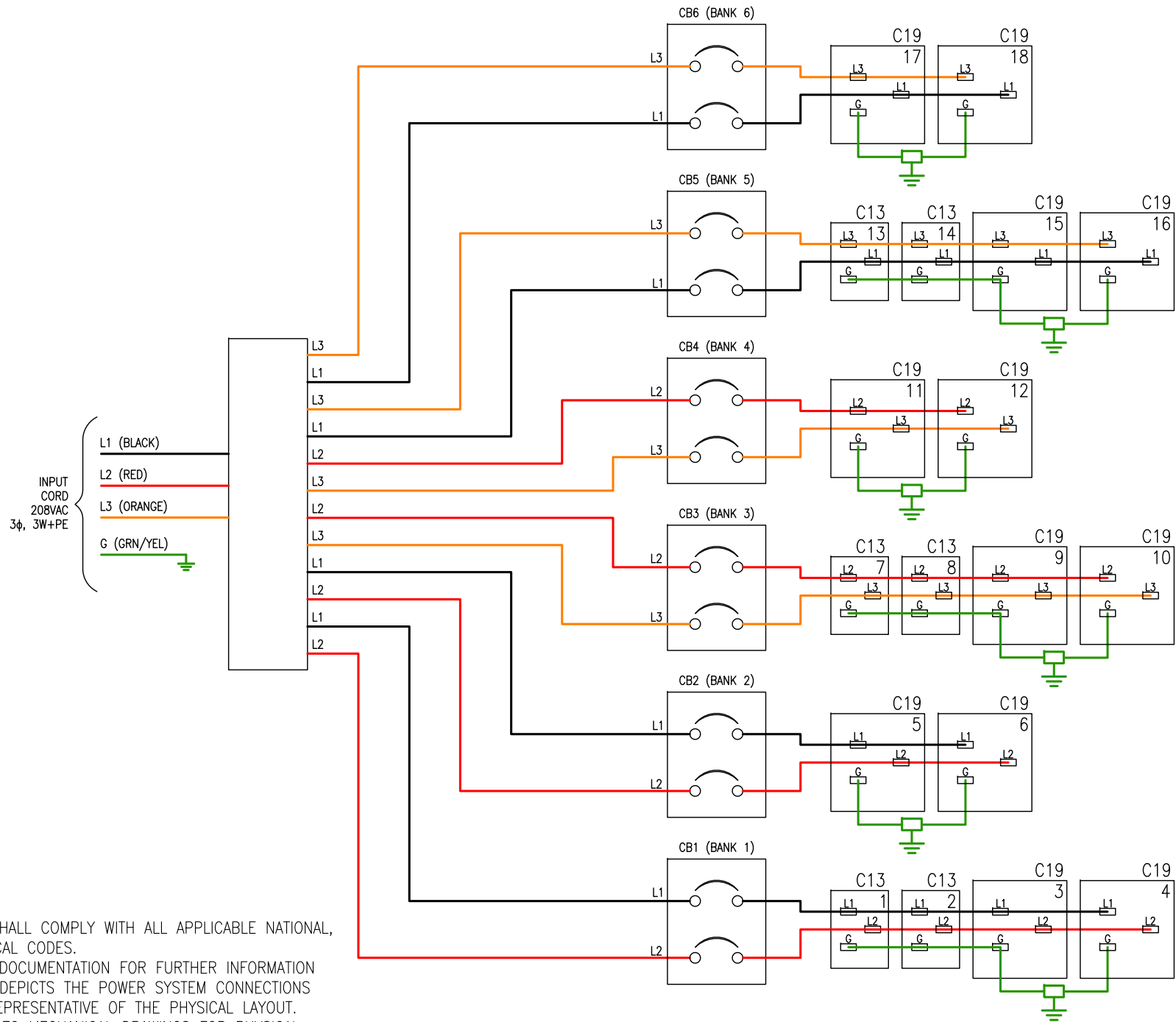
THIS DRAWING AND SPECIFICATIONS HEREIN ARE THE PROPERTY OF SCHNEIDER ELECTRIC AND SHALL NOT BE COPIED, REPRODUCED OR USED IN WHOLE OR IN PART, AS THE BASIS FOR THE MANUFACTURE OR SALE OF ITEMS WITHOUT WRITTEN PERMISSION FROM SCHNEIDER ELECTRIC. THIS DRAWING IS BASED UPON LATEST AVAILABLE INFORMATION AND IS SUBJECT TO CHANGE WITHOUT NOTICE.



TITLE: RACK PDU, METERED
ZERO U, 17.2kW, 208VAC
INPUT: IEC 309, 60A, 3Ø+PE
OUTPUT: (6)IEC 320 C13; (12)IEC 320 C19
MAIN MECHANICAL

DWG NO:	AP8866		REV:	0
DRAWN BY:	S CUNHA	05-APR-12	THIRD	
ENGINEER:	T HORSTMANN	05-APR-12	ANGLE	
APPROVED BY:	J KUMMER	05-APR-12	PROJ	

PROJECT: STD SUBMITTAL DRAWINGS SHEET 1 OF 2



NOTES:

1. INSTALLATION SHALL COMPLY WITH ALL APPLICABLE NATIONAL, STATE AND LOCAL CODES.
2. SEE PRODUCT DOCUMENTATION FOR FURTHER INFORMATION
3. THIS DRAWING DEPICTS THE POWER SYSTEM CONNECTIONS AND IS NOT REPRESENTATIVE OF THE PHYSICAL LAYOUT. PLEASE REFER TO MECHANICAL DRAWINGS FOR PHYSICAL LAYOUT.

THIS DRAWING AND SPECIFICATIONS HEREIN ARE THE PROPERTY OF SCHNEIDER ELECTRIC AND SHALL NOT BE COPIED, REPRODUCED OR USED IN WHOLE OR IN PART, AS THE BASIS FOR THE MANUFACTURE OR SALE OF ITEMS WITHOUT WRITTEN PERMISSION FROM SCHNEIDER ELECTRIC. THIS DRAWING IS BASED UPON LATEST AVAILABLE INFORMATION AND IS SUBJECT TO CHANGE WITHOUT NOTICE.



TITLE: RACK PDU, METERED
 ZERO U, 17.2kW, 208VAC
 INPUT: IEC 309, 60A, 3Φ+PE
 OUTPUT: (6)IEC 320 C13; (12)IEC 320 C19
 ELECTRICAL SCHEMATIC

PROJECT: STD SUBMITTAL DRAWINGS SHEET 2 OF 2

DWG NO: AP8866 REV. 0

DRAWN BY:	S CUNHA	05-APR-12	PROJ
ENGINEER:	T HORSTMANN	05-APR-12	ANGLE
APPROVED BY:	J KUMMER	05-APR-12	N/A