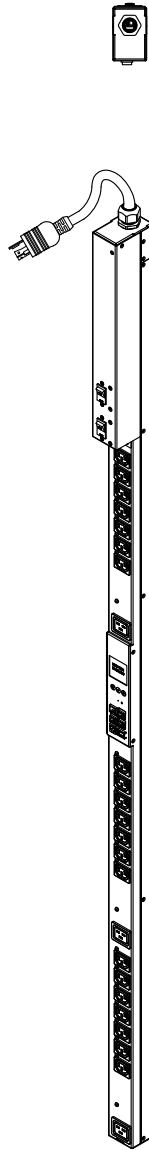
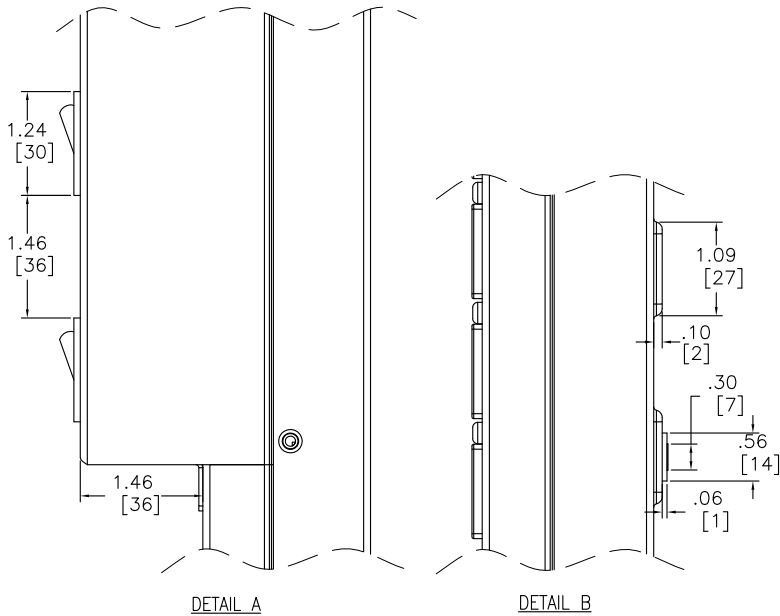
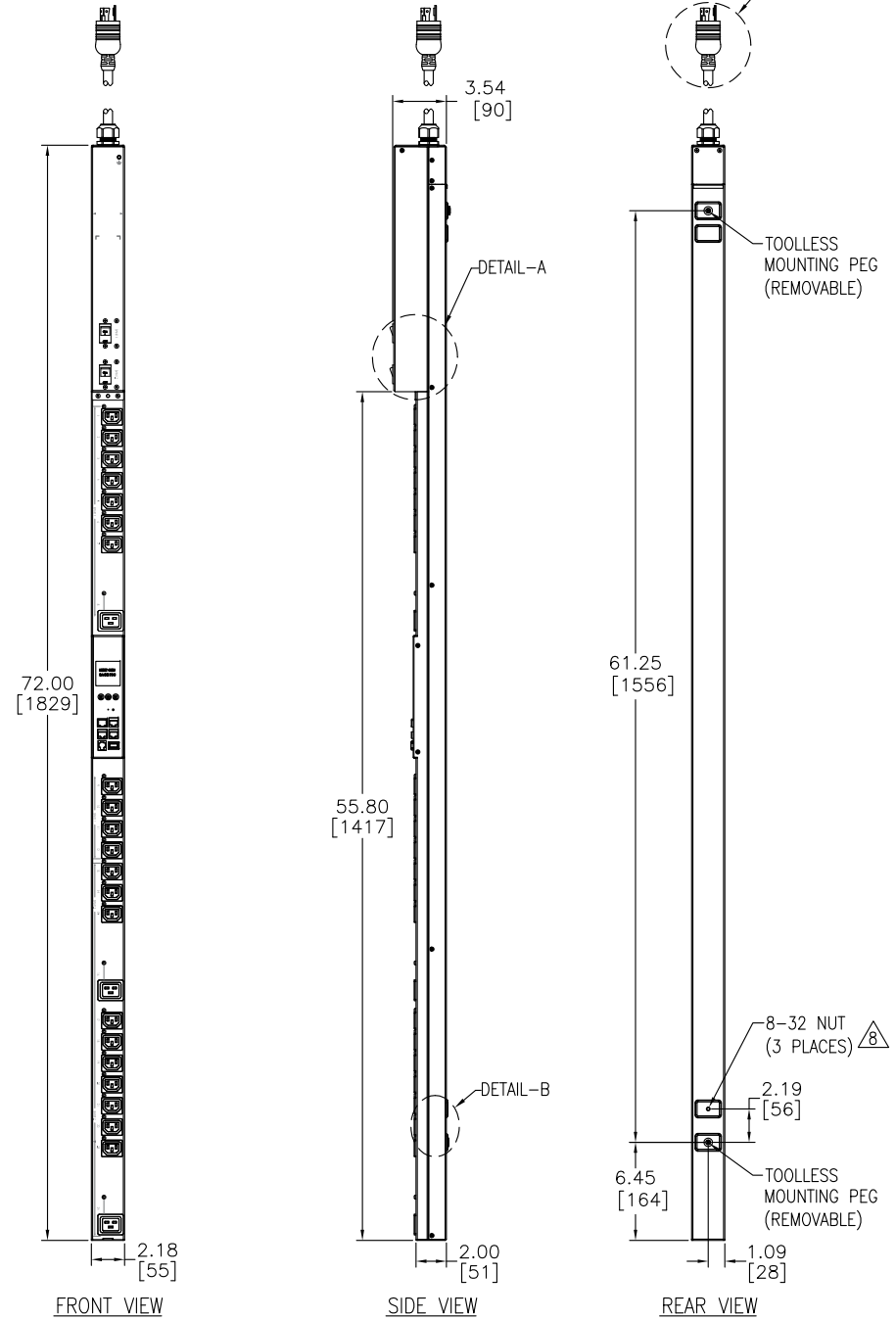


DETAIL C  
(NEMA L6-30P PLUG-ENLARGED)



ISOMETRIC VIEW



NOTES:

1. INSTALLATION SHALL COMPLY WITH ALL APPLICABLE NATIONAL, STATE AND LOCAL CODES.
  2. SEE PRODUCT DOCUMENTATION FOR FURTHER INFORMATION
  3. UNLESS OTHERWISE SPECIFIED, ALL DIMENSIONS ARE IN INCHES [MILLIMETERS].
  4. NET WEIGHT OF UNIT IS 18.14LBS [8.23kg].
  5. LENGTH OF THE CORD IS 120.00IN [3050MM].
  6. UNIVERSAL MOUNTING BRACKET IS AN ALTERNATIVE MOUNTING METHOD TO THE TOOLLESS MOUNT FOR 3RD PARTY ENCLOSURES. BRACKET IS PROVIDED WITH THE UNIT. DETAILED INSTALLATION INSTRUCTIONS CAN BE FOUND IN THE PROVIDED MANUAL.
  7. BRACKET KITS TO MOUNT TO SPECIFIC 3RD PARTY ENCLOSURES ARE AVAILABLE AS OPTIONS.
- ⚠8. REFER TO WARNING LABEL ON REAR OF UNIT FOR SCREW MOUNTING.

THIS DRAWING AND SPECIFICATIONS HEREIN ARE THE PROPERTY OF SCHNEIDER ELECTRIC AND SHALL NOT BE COPIED, REPRODUCED OR USED IN WHOLE OR IN PART, AS THE BASIS FOR THE MANUFACTURE OR SALE OF ITEMS WITHOUT WRITTEN PERMISSION FROM SCHNEIDER ELECTRIC. THIS DRAWING IS BASED UPON LATEST AVAILABLE INFORMATION AND IS SUBJECT TO CHANGE WITHOUT NOTICE.

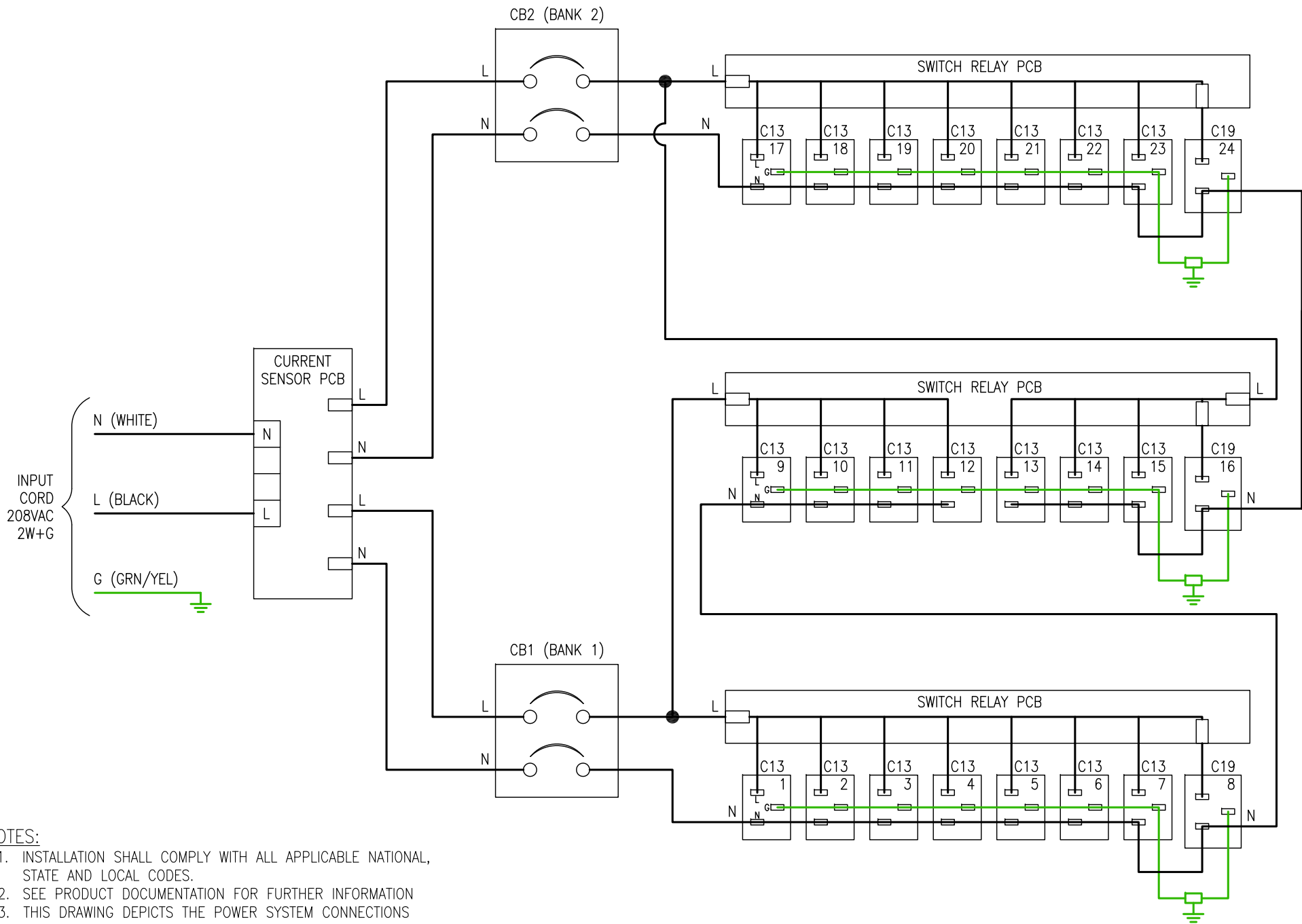


TITLE: RACK PDU 2G, SWITCHED  
ZERO U, 30A 200/208VAC  
INPUT: NEMA L6-30P  
OUTPUT: (21)IEC 320 C13, (3)IEC 320 C19  
MAIN MECHANICAL

PROJECT: STD SUBMITTAL DRAWINGS SHEET 1 OF 2

DWG NO: AP8641 REV. 1

DRAWN BY: S CUNHA	04-APR-11	THIRD
ENGINEER: K THOMAS/J KUMMER	04-APR-11	ANGLE
APPROVED BY: M LEPARD	04-APR-11	PROJ.



**NOTES:**

1. INSTALLATION SHALL COMPLY WITH ALL APPLICABLE NATIONAL, STATE AND LOCAL CODES.
2. SEE PRODUCT DOCUMENTATION FOR FURTHER INFORMATION
3. THIS DRAWING DEPICTS THE POWER SYSTEM CONNECTIONS AND IS NOT REPRESENTATIVE OF THE PHYSICAL LAYOUT. PLEASE REFER TO MECHANICAL DRAWINGS FOR PHYSICAL LAYOUT.
4. OUTLETS 1-12 ARE CONNECTED TO CB1  
OUTLETS 13-24 ARE CONNECTED TO CB2.

THIS DRAWING AND SPECIFICATIONS HEREIN ARE THE PROPERTY OF SCHNEIDER ELECTRIC AND SHALL NOT BE COPIED, REPRODUCED OR USED IN WHOLE OR IN PART, AS THE BASIS FOR THE MANUFACTURE OR SALE OF ITEMS WITHOUT WRITTEN PERMISSION FROM SCHNEIDER ELECTRIC. THIS DRAWING IS BASED UPON LATEST AVAILABLE INFORMATION AND IS SUBJECT TO CHANGE WITHOUT NOTICE.



TITLE: RACK PDU 2G, SWITCHED ZERO U, 30A 200/208VAC  
 INPUT: NEMA L6-30P  
 OUTPUT: (21)IEC 320 C13, (3)IEC 320 C19  
 ELECTRICAL SCHEMATIC  
 PROJECT: STD SUBMITTAL DRAWINGS SHEET 2 OF 2

DWG NO:	AP8641	REV:	0
DRAWN BY:	S CUNHA	17-FEB-11	PROJ.
ENGINEER:	K THOMAS	17-FEB-11	ANGLE
APPROVED BY:	M LEPARD	17-FEB-11	N/A