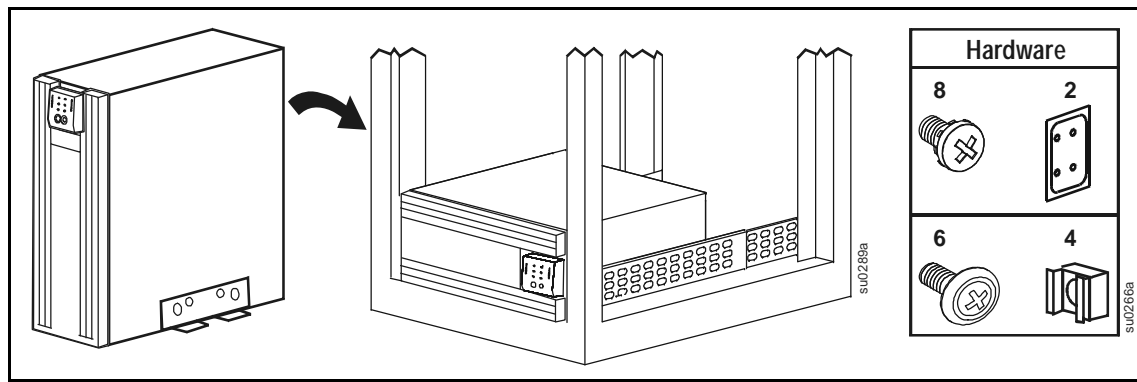
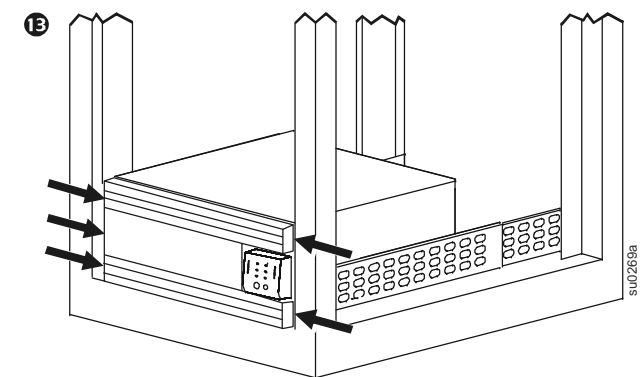
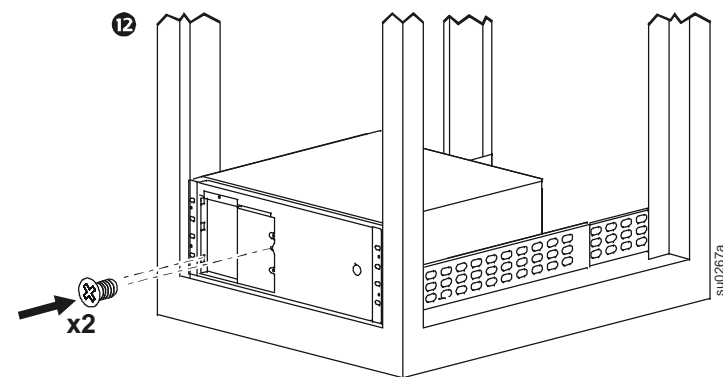
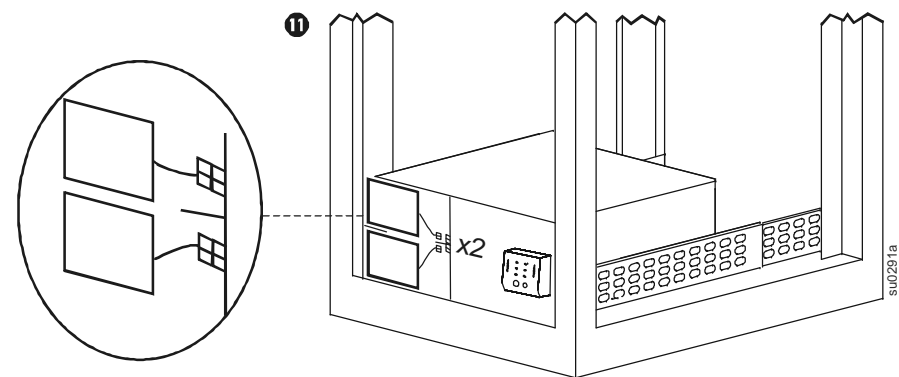
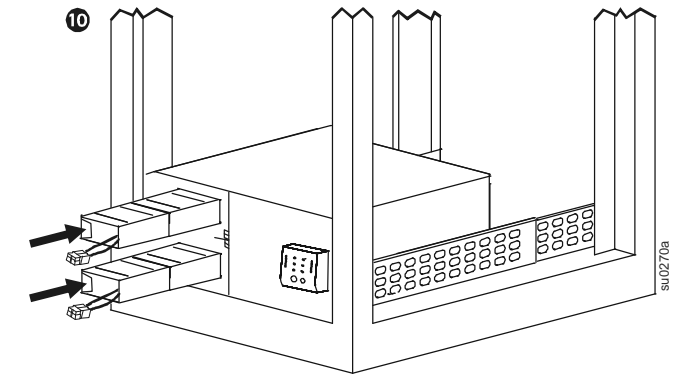
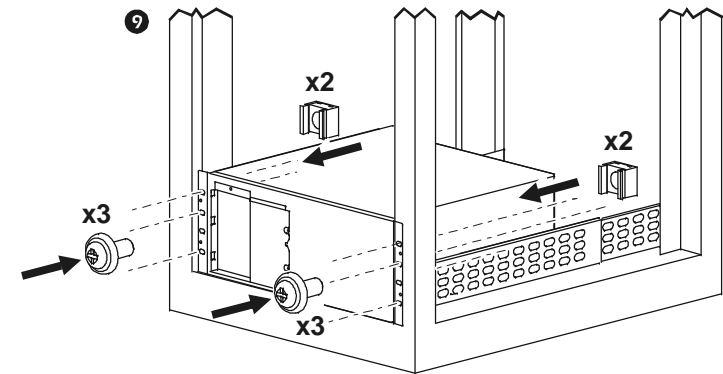
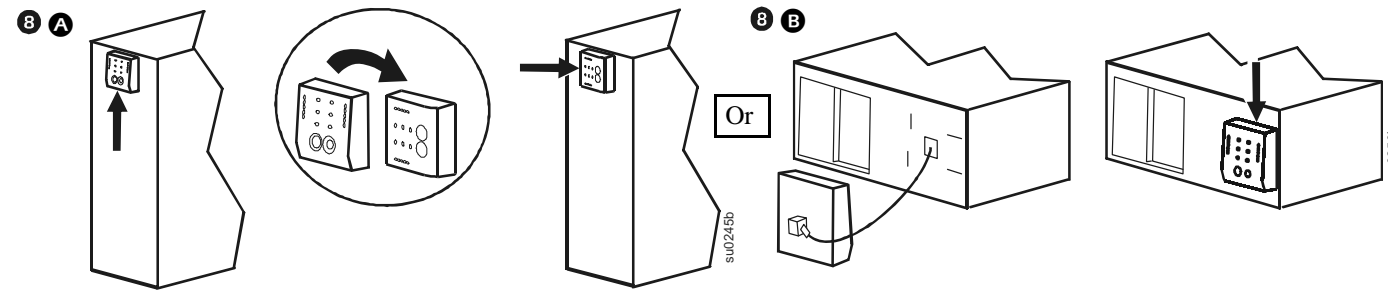
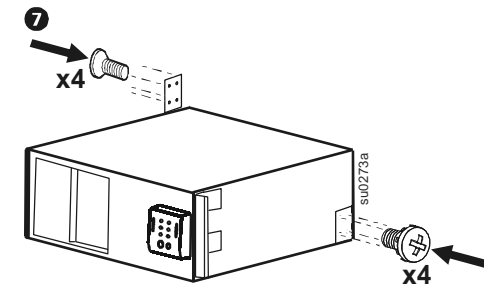
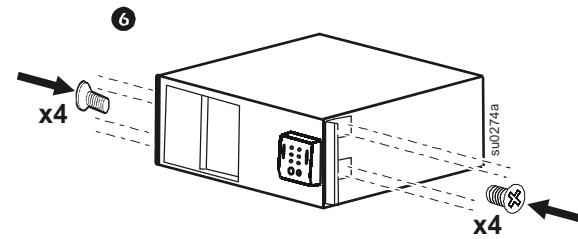
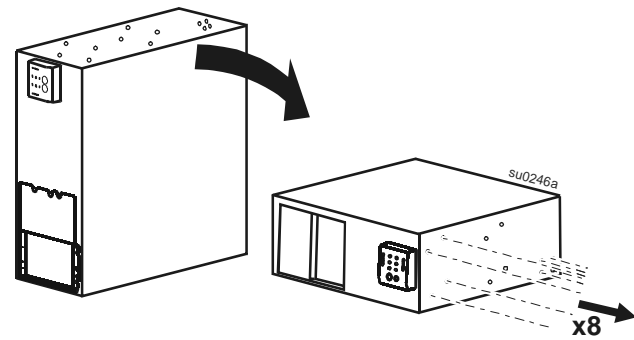
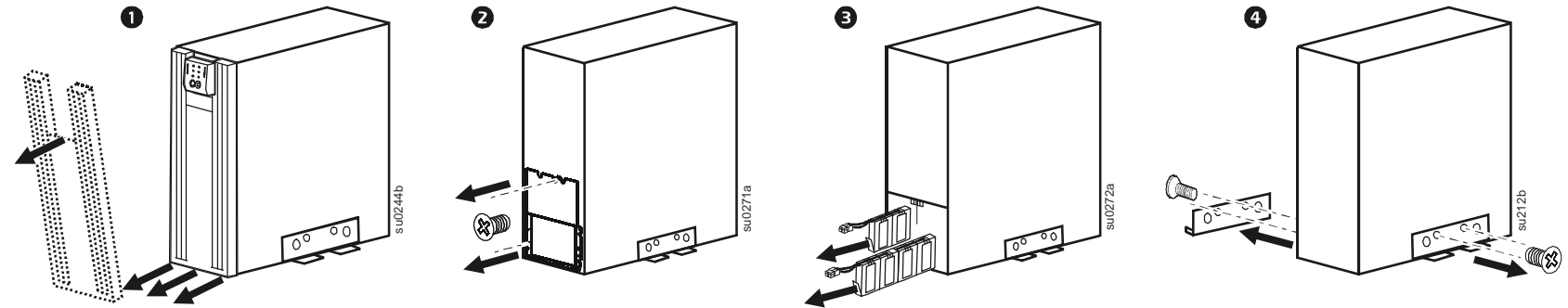


Installation Guide - Tower to SURTRK5 Rack-Mount Conversion

Refer to the Safety Guide supplied with the UPS and XBP products..



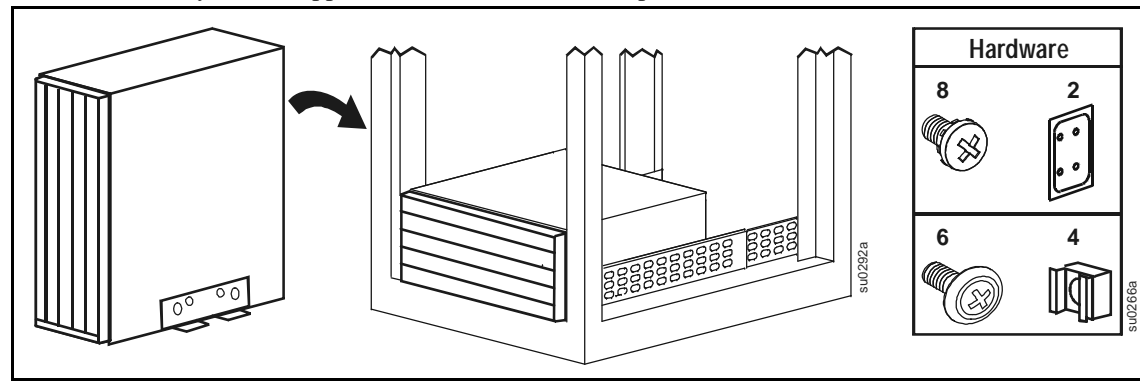
Existing tower installations begin with step 1. New installations begin with step 5.



APC[™] Installation Guide - Tower to SURTRK5 Rack-Mount Conversion

by Schneider Electric

Refer to the Safety Guide supplied with the UPS and XBP products.



Existing tower installations begin with step 1. New installations begin with step 5.

