

1

2

3

4

A

A

B

B

C

C

D

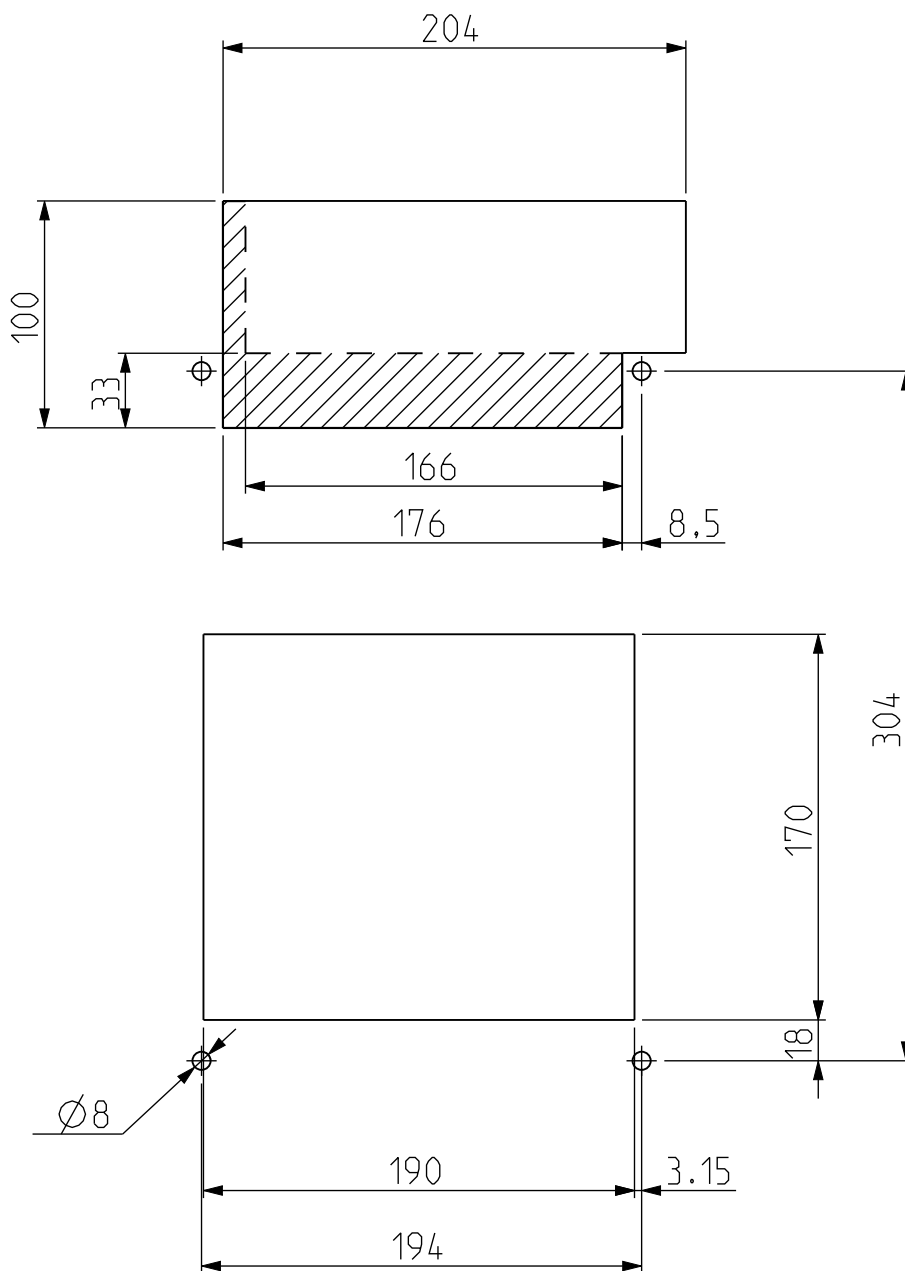
D

E

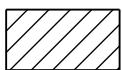
E

F

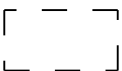
F



Retrofit kit cutout

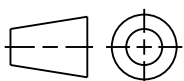


Enclosure cutout needed



Enclosure existing cutout

⊕ Reference points
M6 TORQUE: 4,5 Nm (40 lb*inch)



Scale:
3:10

Technical Specification:
ISO 2768mK
ISO 8015

Units of measure:
mm



Document Description:

RETROFIT KIT CUTOUT ROOF 400-600W

Document Number:

BQT6487000

Doc.Rev.:
00.5

Sheet:
1/1

The information is highly confidential and is the exclusive property of Schneider Electric copyright reserved. This drawing must not be used for any purpose other than that expressly permitted in writing by the owners and must not be disclosed or reproduced in any way without permission from the owners in writing. This drawing must be returned to the owners when the purpose has ceased.

Released for Manufacturing
Printed on 2024/01/12

Original format A4