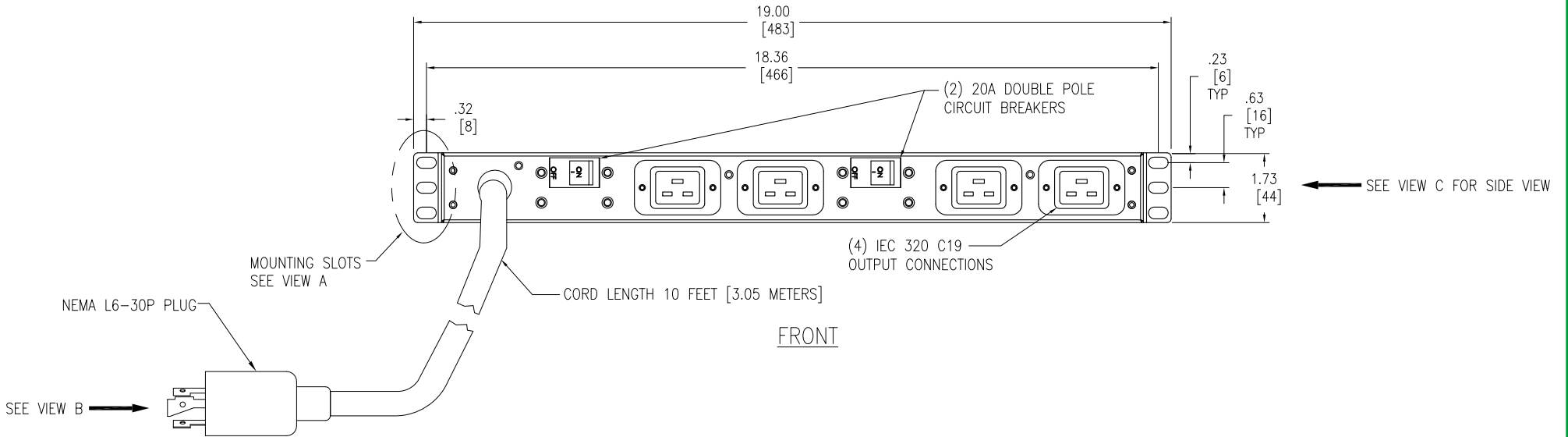
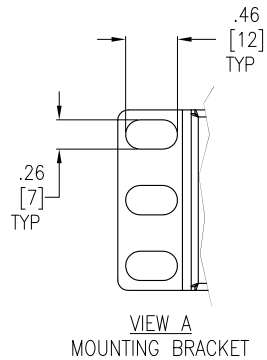


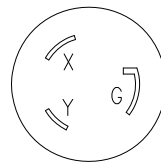
TOP



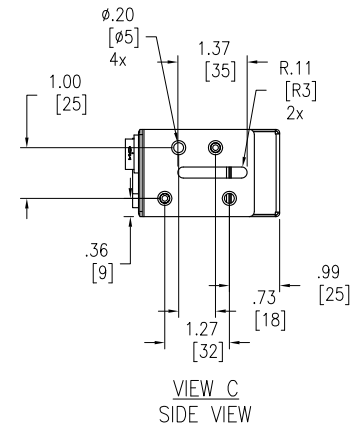
FRONT



VIEW A  
MOUNTING BRACKET



VIEW B  
(NEMA L6-30P  
ENLARGED)



VIEW C  
SIDE VIEW

NOTES:

1. INSTALLATION SHALL COMPLY WITH ALL APPLICABLE NATIONAL, STATE AND LOCAL CODES.
2. PLEASE REFER TO APC PRODUCT MANUAL.
3. ALL DIMENSIONS ARE IN INCHES [MILLIMETERS].
4. NET WEIGHT IS 6.00 LBS, [2.72 kg].
5. UNIT CAN BE MOUNTED HORIZONTALLY OR VERTICALLY.

THIS DRAWING AND SPECIFICATIONS HEREIN ARE THE PROPERTY OF SCHNEIDER ELECTRIC AND SHALL NOT BE COPIED, REPRODUCED OR USED IN WHOLE OR IN PART, AS THE BASIS FOR THE MANUFACTURE OR SALE OF ITEMS WITHOUT WRITTEN PERMISSION FROM SCHNEIDER ELECTRIC. THIS DRAWING IS BASED UPON LATEST AVAILABLE INFORMATION AND IS SUBJECT TO CHANGE WITHOUT NOTICE.



TITLE: RACK PDU, BASIC 1U  
DOUBLE POLE CB's  
INPUT: 208V, 30A, NEMA L6-30P  
OUTPUT: 208V, (4) IEC 320 C19  
MAIN MECHANICAL

DWG NO: AP9570

REV. 2

DRAWN BY: B ZAHN/S CUNHA 03-AUG-11

THIRD

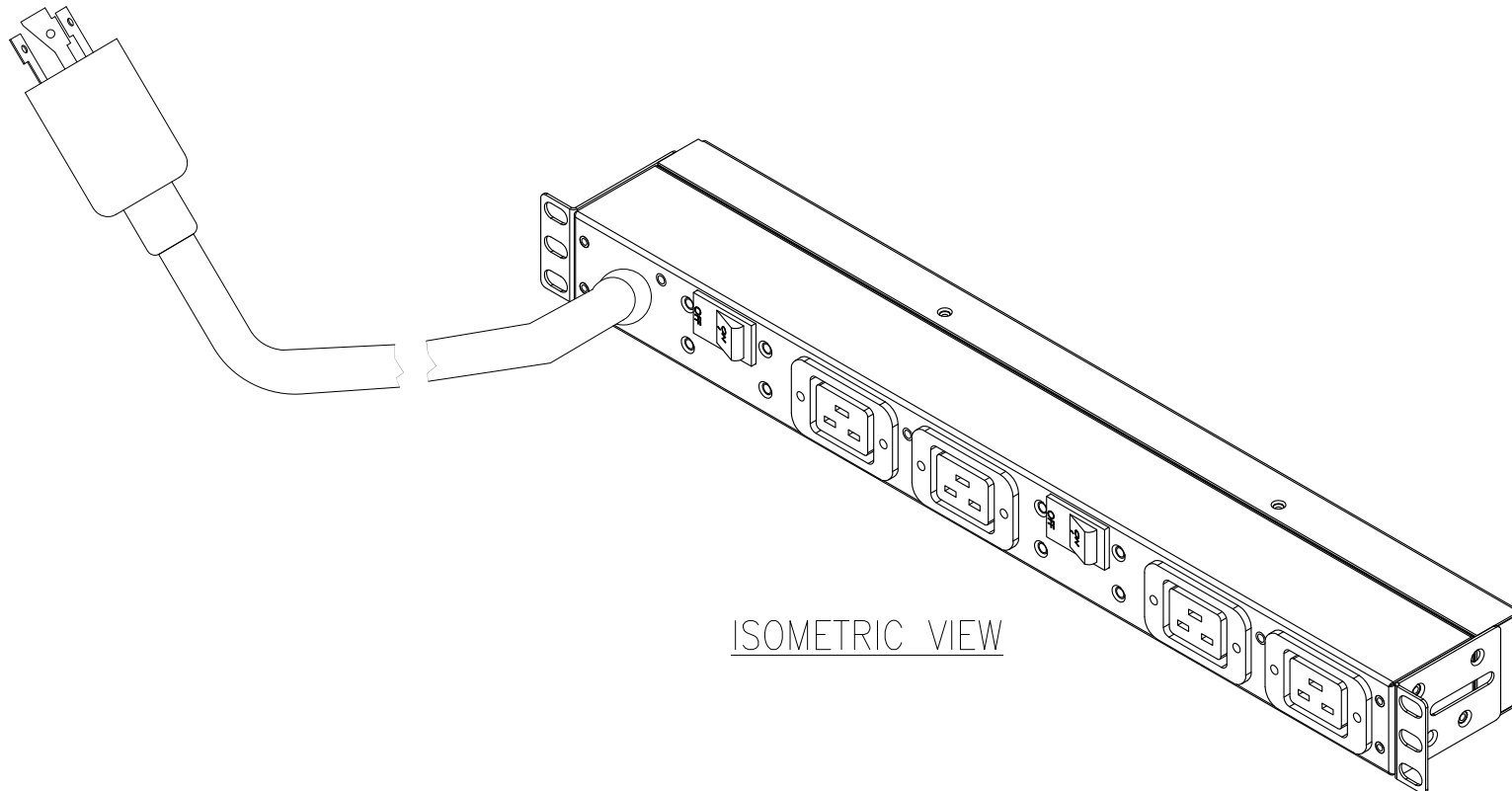
ENGINEER: T HORSTMANN 03-AUG-11

ANGLE

PROJECT: STD SUBMITTAL DRAWINGS SHEET 1 OF 2

APPROVED BY: B SHERIDAN/F DOSA/S WAGH 18-NOV-09

PROJECTION



ISOMETRIC VIEW

THIS DRAWING AND SPECIFICATIONS HEREIN ARE THE PROPERTY OF SCHNEIDER ELECTRIC AND SHALL NOT BE COPIED, REPRODUCED OR USED IN WHOLE OR IN PART, AS THE BASIS FOR THE MANUFACTURE OR SALE OF ITEMS WITHOUT WRITTEN PERMISSION FROM SCHNEIDER ELECTRIC. THIS DRAWING IS BASED UPON LATEST AVAILABLE INFORMATION AND IS SUBJECT TO CHANGE WITHOUT NOTICE.



TITLE: RACK PDU, BASIC 1U  
DOUBLE POLE CB's  
INPUT: 208V, 30A, NEMA L6-30P  
OUTPUT: 208V, (4) IEC 320 C19  
ISOMETRIC VIEW  
PROJECT: STD SUBMITTAL DRAWINGS SHEET 2 OF 2

DWG NO: AP9570  
DRAWN BY: B ZAHN/S CUNHA  
ENGINEER: T HORSTMANN  
APPROVED BY: B SHERIDAN/F DOSA/S WAGH

REV. 2  
03-AUG-11  
03-AUG-11  
18-NOV-09  
THIRD ANGLE PROJECTION