

NOTES:

1. ALL DIMENSIONS ARE IN INCHES [MILLIMETERS].
2. NET WEIGHT IS 19.33 LBS [8.79 kg]
3. LENGTH OF THE CORD IS 120 INCHES [3050 mm].
4. UNIVERSAL MOUNTING BRACKET IS AN ALTERNATIVE MOUNTING METHOD TO THE TOOLLESS MOUNT FOR NON APC RACKS.
5. BRACKET KITS TO MOUNT TO SPECIFIC COMPETITORS RACKS ARE AVAILABLE AS OPTIONS.
6. INSTALLATION MUST COMPLY WITH ALL APPLICABLE NATIONAL AND LOCAL CODES.

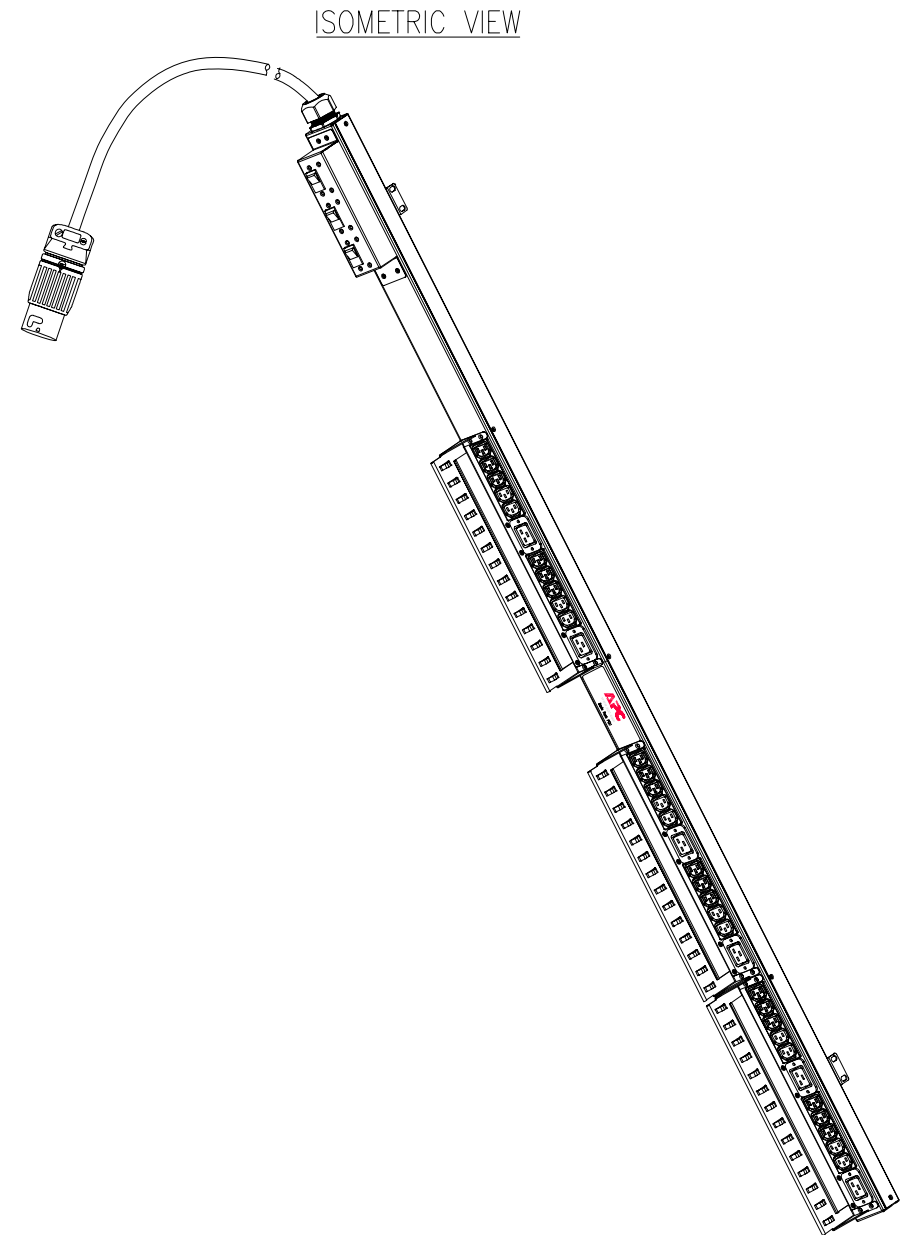
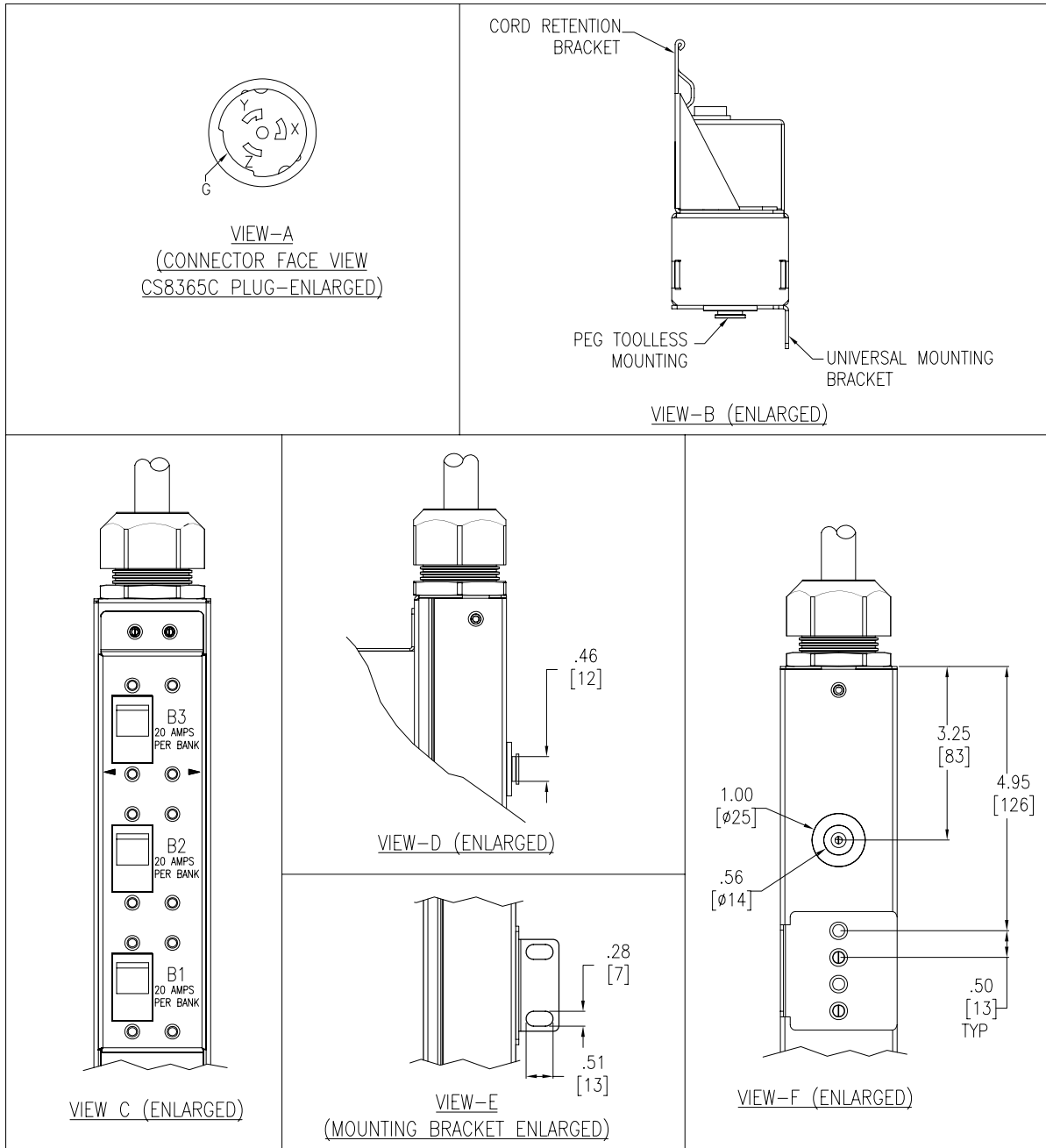
THIS DRAWING AND SPECIFICATIONS HEREIN ARE THE PROPERTY OF AMERICAN POWER CONVERSION AND SHALL NOT BE COPIED, REPRODUCED OR USED IN WHOLE OR IN PART, AS THE BASIS FOR THE MANUFACTURE OR SALE OF ITEMS WITHOUT WRITTEN PERMISSION FROM APC. THIS DRAWING IS BASED UPON LATEST AVAILABLE INFORMATION AND IS SUBJECT TO CHANGE WITHOUT NOTICE.

TITLE: RACK PDU, BASIC
 ZERO U, 12.5KW, 208V, INPUT: CS8365C
 OUTPUT: (30)IEC 320 C13, (6)IEC 320 C19
 MAIN MECHANICAL
 PROJECT: SUBMITTAL DRAWING SHEET 1 OF 2

DWG NO: AP7598-MM1
 DRAWN BY: JAYAPRAKASH
 CHECKED BY: T.HORSTMANN
 ENGINEER: R.HANSEN/ E.SILVA
 REV. 2
 09/21/06
 09/21/06
 09/21/06



DETAILS



NOTES:

1. ALL DIMENSIONS ARE IN INCHES [MILLIMETERS].
2. INSTALLATION MUST COMPLY WITH ALL APPLICABLE NATIONAL AND LOCAL CODES.

THIS DRAWING AND SPECIFICATIONS HEREIN ARE THE PROPERTY OF AMERICAN POWER CONVERSION AND SHALL NOT BE COPIED, REPRODUCED OR USED IN WHOLE OR IN PART, AS THE BASIS FOR THE MANUFACTURE OR SALE OF ITEMS WITHOUT WRITTEN PERMISSION FROM APC. THIS DRAWING IS BASED UPON LATEST AVAILABLE INFORMATION AND IS SUBJECT TO CHANGE WITHOUT NOTICE.

TITLE: RACK PDU, BASIC
ZERO U, 12.5KW, 208V, INPUT: CS8365C
OUTPUT: (30)IEC 320 C13, (6)IEC 320 C19
DETAILS & ISOMETRIC VIEW

PROJECT: SUBMITTAL DRAWING SHEET 2 OF 2

DWG NO: AP7598-MM2 REV: 2

DRAWN BY: JAYAPRAKASH 09/21/06

CHECKED BY: T.HORSTMANN 09/21/06

ENGINEER: R.HANSEN/ E.SILVA 09/21/06

APC[®]
AMERICAN POWER CONVERSION
132 FAIRGROUNDS RD
WEST KINGSTON, RI 02892