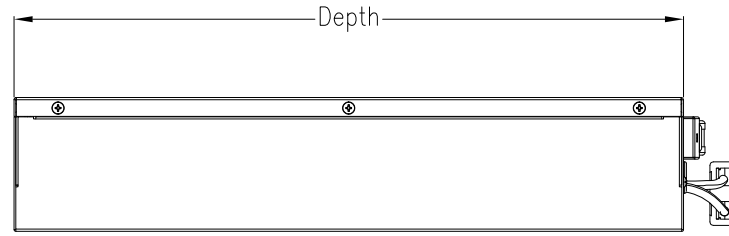
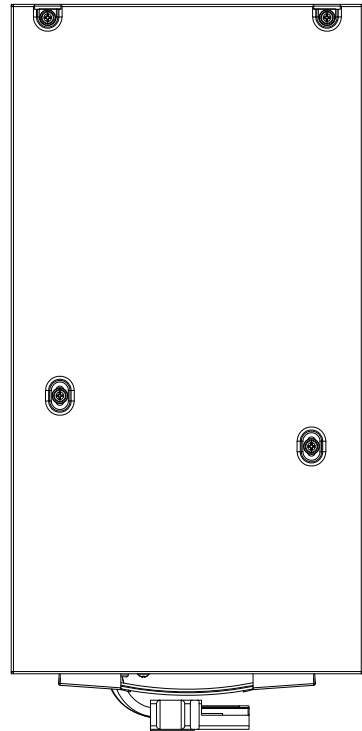


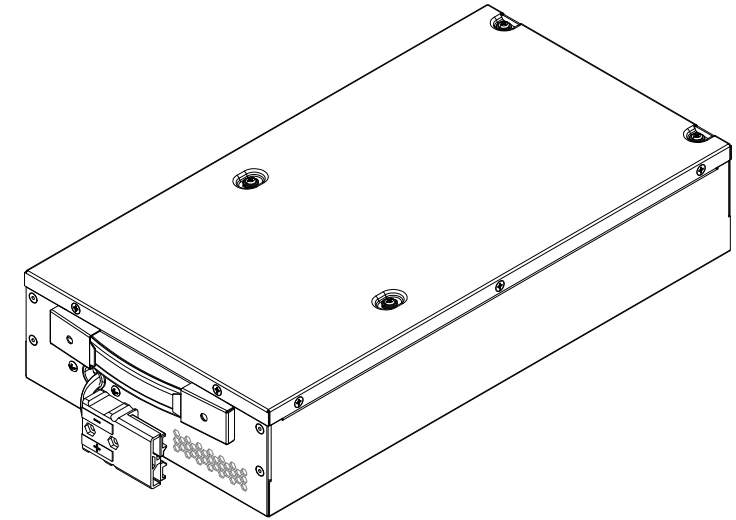
FRONT VIEW



LEFT SIDE VIEW



TOP VIEW



ISOMETRIC VIEW



Li-Ion Battery Pack Specification

Battery Pack Model Module	Typical Capacity	Nominal Voltage	Recommended Charging Voltage	Battery Pack Dimensions			Net Weight in kg [lb]
				Height in mm [in]	Width in mm [in]	Depth in mm [in]	
RBCV181-LI	230.4 Wh	38.4V	42V	76 [2.99]	200 [7.87]	250 [9.84]	4.3 [9.5]
RBCV182-LI	432 Wh	48V	52.5V	76 [2.99]	200 [7.87]	380 [14.96]	7.1 [15.7]
RBCV183-LI	576 Wh	48V	52.5V	76 [2.99]	200 [7.87]	455 [17.91]	9.3 [20.5]

NOTES:

1. INSTALLATION SHALL COMPLY WITH ALL APPLICABLE NATIONAL AND LOCAL ELECTRICAL REGULATIONS.
 2. REFER TO PRODUCT MANUALS FOR ADDITIONAL DETAILS PRIOR TO INSTALLATION AND SITE PREPARATION WORK.
 3. ALL DIMENSIONS ARE IN MILLIMETERS [INCHES], UNLESS OTHERWISE SPECIFIED. DIMENSIONS EXCLUDE SCREWS AND PROTRUDING PARTS.
- △ REFER TO TABLE FOR WEIGHT AND DIMENSION DETAILS.

THIS DRAWING AND SPECIFICATIONS HEREIN ARE THE PROPERTY OF SCHNEIDER ELECTRIC AND SHALL NOT BE COPIED, REPRODUCED OR USED IN WHOLE OR IN PART, AS THE BASIS FOR THE MANUFACTURE OR SALE OF ITEMS WITHOUT WRITTEN PERMISSION FROM SCHNEIDER ELECTRIC. THIS DRAWING IS BASED UPON LATEST AVAILABLE INFORMATION AND IS SUBJECT TO CHANGE WITHOUT NOTICE.



TITLE:	Li-Ion REPLACEMENT BATTERY CARTRIDGE		DWG NO:	RBCV181-183-LI	REV.	0
GENERAL ARRANGEMENT			DRAWN:	DIBYARANJAN	23-MAY-22	FIRST ANGLE PROJECTION
PROJECT: DRAWINGS	SHEET 1 OF 1		ENGINEER:	FRANK CHANG	23-MAY-22	
			APPROVED:	M LIPARE	23-MAY-22	