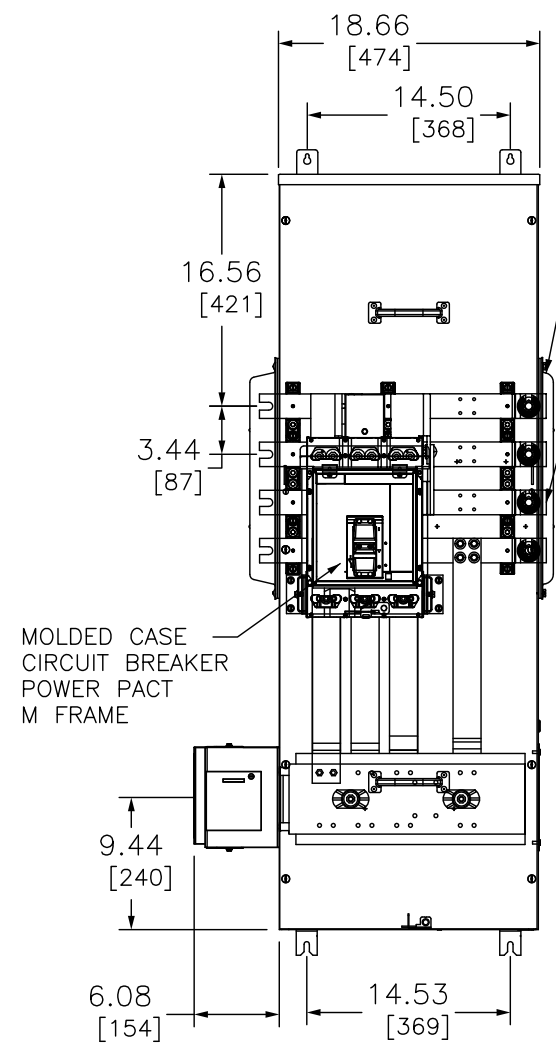
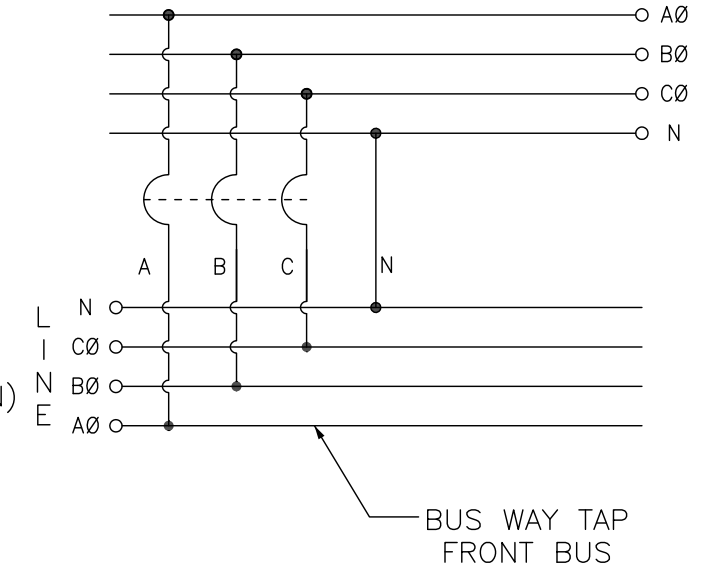


ADDITIONAL NOTES :

- HANDLE EXTENSION AVAILABLE M-FRAME BREAKER
ORDER KIT REF. 33195

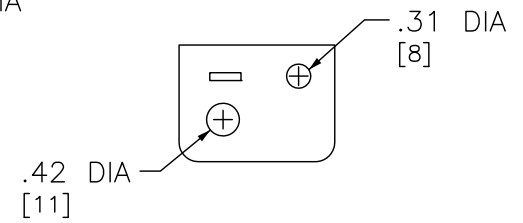
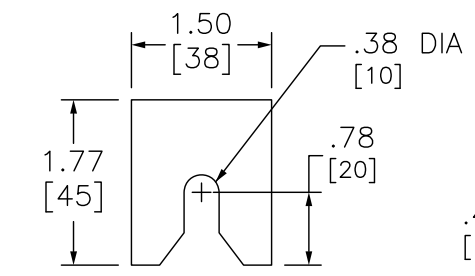
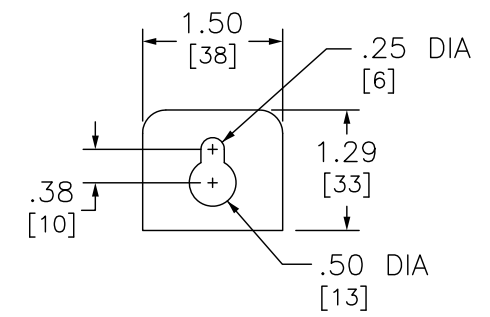
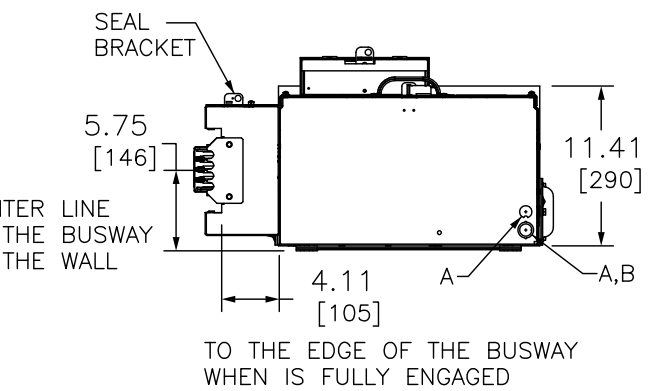
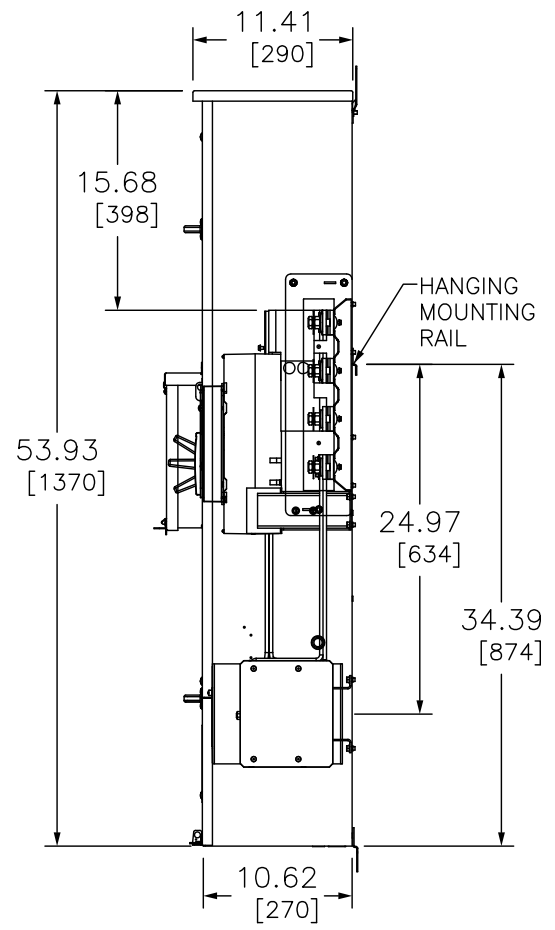
KNOCKOUTS		
SYMBOL	CONDUIT SIZE	
	IN	
A	.50	
B	.75	19

TIGHTEN
50 LB-FT
(600 LB-IN)



CLOSING PLATES
FACTORY INSTALLED
REMOVED PRIOR TO
CONNECTING BRANCH UNIT
AND REINSTALL AT END
OF LINE-UP

HORIZONTAL CROSS BUS
SYSTEM INCLUDES
EXCLUSIVE VISI-TITE
JOINT-NUTS TO MAKE
ALL PHASE AND NEUTRAL
CONNECTIONS BETWEEN
TWO EZM UNITS



DUAL DIMENSIONS: INCHES
MILLIMETERS

SYSTEM TYPE	MAIN RATING (AMPERES)	CATALOG NUMBER	MOLDED CASE BREAKER (FACTORY INSTALLED) INTERRUPTING RATING 65kA @ 240V
3Ø 4W 208Y/120VAC OR 240/120VAC DELTA	600	EZM3600CBNFBTL	MGF36600
	800	EZM3800CBNFBTL	MGF36800

NFBTL SUFFIX MEANS [NEUTRAL FRONT BUS TAP LEFT]

NOTES:
FINISH - GRAY BAKED ENAMEL POWDER COAT PAINT OVER CLEANED GALVANNEALED STEEL.
UL LISTED - FILE E131840, VOL. M
MAIN HORIZONTAL CROSS BUS RATED AT 800 AMPERES. ALUMINUM 1/4 x 1-3/4 TWO LAMINATIONS
MAIN DEVICES ARE SEALABLE BY UTILITY.
GANGABLE MULTI-METERING EQUIPMENT IS DESIGNED FOR WALL MOUNTING ONLY.
(NOT SUITABLE FOR FLOOR STANDING EQUIPMENT.)
800 AMP MAIN CIRCUIT BREAKER SUITABLE FOR USE ONLY WITH BRANCH DEVICES.
GROUND CONTINUITY IS MAINTAINED THROUGH THE ENCLOSURE WITH BUSWAY BONDING BRACKETS.

EZ METER-PAK GANGABLE
MULTI-METERING EQUIPMENT
600A-800A 3PH 4W MAIN CIRCUIT BREAKER
BUSWAY FEED LEFT SIDE
INDOOR TYPE 1 ENCLOSURE

SQUARE D
by Schneider Electric

DWG# PWFDS-SYRS-0126
NO.