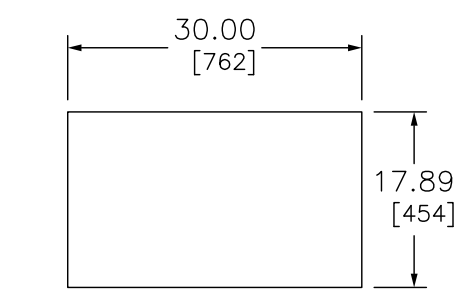
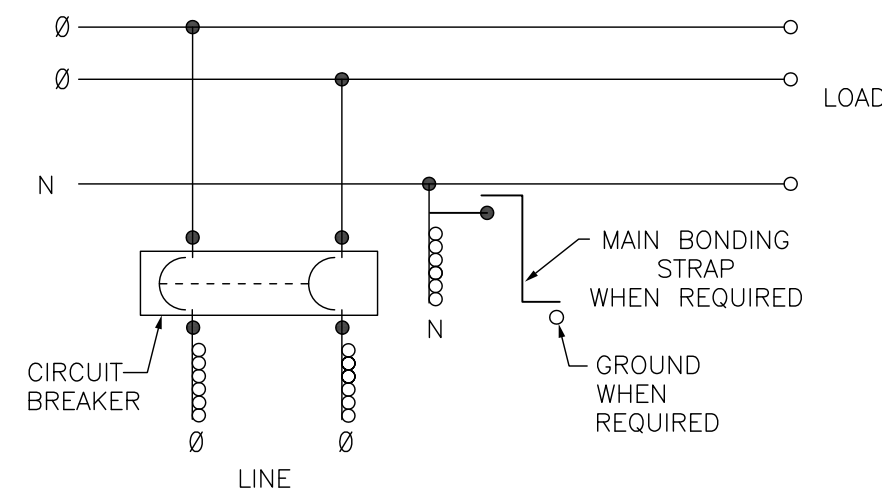
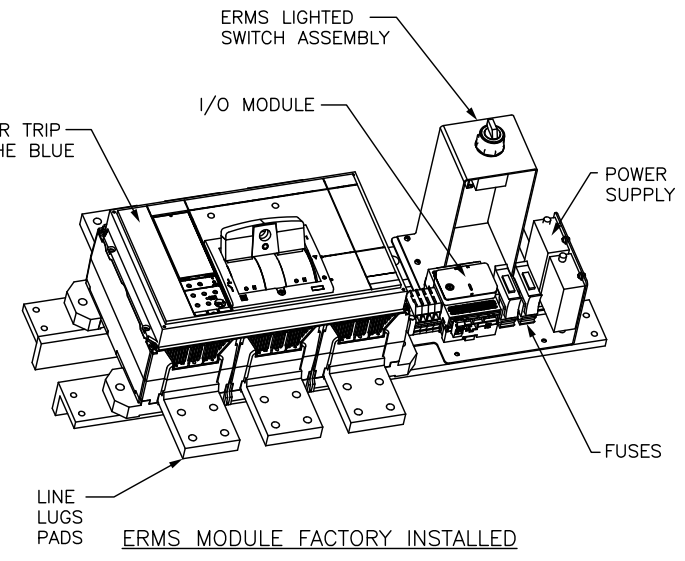
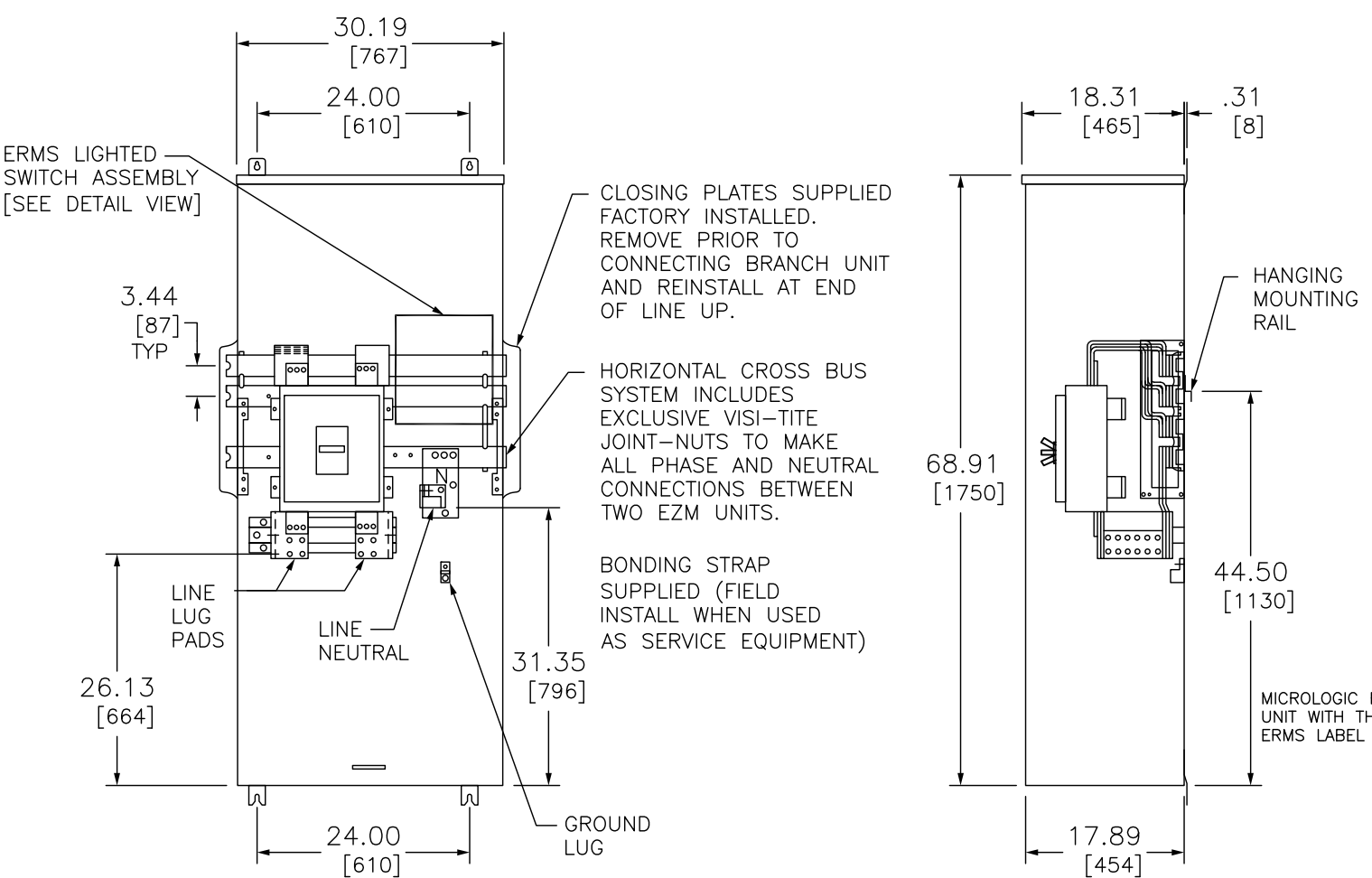


LUG QUANTITY PER LINE SIDE PHASE AND NEUTRAL TERMINALS (ORDER SEPARATELY)										
CATALOG NUMBER	ANDERSON				ILSCO			CMC		
	VHCL-600-12BN	VHCL-750-12BN	L1D2-600	L1D2-800	2ACL-600	TA-600-2N ▲	TA-800-2N	A1B2-600-2	L1D2-600	L1D2-800
	250-600 CU	500-750 CU	#2-600 AL/CU	#300-750 AL/CU	250-600 AL/CU	#2-600 AL/CU	#300-750 AL/CU	#2-600 AL/CU	#2-600 AL/CU	#300-750 AL/CU
EZM11600GCBUMS EZM11600JCBUMS	VC-6 ‡	VC-7 ‡	MECH	MECH	IDT-12	MECH	MECH	MECH	MECH	MECH
	6	6	6	6	6	6	6	6	6	6

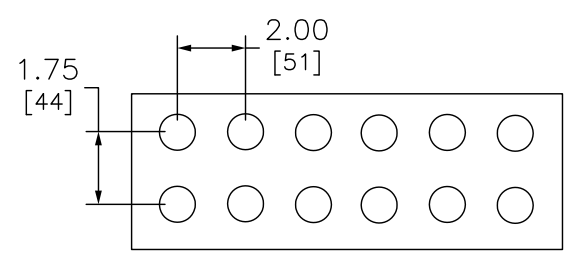
‡ INDICATED VERSA-CRIMP CRIMPING TOOL.
 ▲ THIS LUG IS AVAILABLE FROM SQUARE D COMPANY, ORDER CATALOG NUMBER CMEK4, KIT INCLUDES 4 LUGS

SYSTEM TYPE	MAIN RATING (AMPERES)	CATALOG NUMBER	MAIN CIRCUIT BREAKER (FACTORY INSTALLED)	GROUND LUG WIRE RANGE (FACTORY INSTALLED)
1Ø 3W 120/240 VAC	1600 ●	EZM11600GCBUMS EZM11600JCBUMS	RGF36160U63AE1 RJF36160U63AE1	(1) #6-300

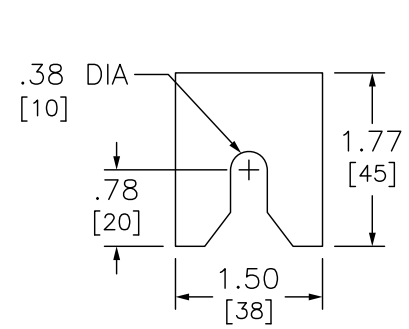
● 1600A MAIN CIRCUIT BREAKER DEVICE MUST BE CENTER MOUNTED.



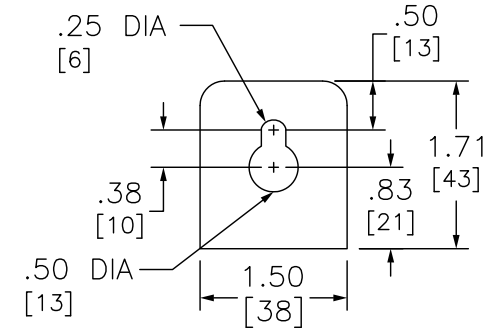
NO KNOCKOUTS PROVIDED



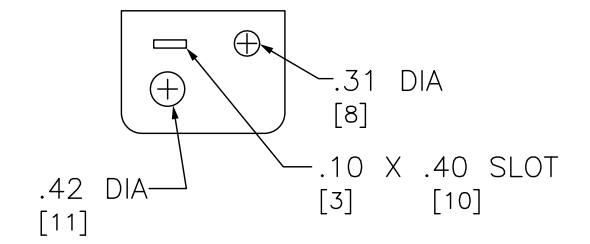
LUG PAD DETAIL
 SUPPLIED WITH 1/2-13 X 2.00/[51] STUDS AND 1/2 - 13 KEPS NUTS



BOTTOM MOUNTING BRACKET



TOP MOUNTING BRACKET



SEAL BRACKET

NOTES:
 FINISH - GRAY BAKED ENAMEL POWDER COAT PAINT OVER CLEANED GALVANNEALED STEEL.
 UL LISTED - FILE E131840, VOL. M
 SUITABLE FOR USE AS SERVICE EQUIPMENT.
 MAIN HORIZONTAL CROSS BUS RATED AT 1200 AMPERES.
 MAIN DEVICES ARE SEALABLE BY UTILITY.
 GANGABLE MULTI-METERING EQUIPMENT IS DESIGNED FOR WALL MOUNTING ONLY.
 (NOT SUITABLE FOR FLOOR STANDING EQUIPMENT.)
 DOES NOT MEET EUSERC REQUIREMENTS.
 NO USER CONFIGURATION REQUIRED FOR ERMS FUNCTION.
 ERMS SWITCH PROVIDED WITH LOCKABLE COVER.
 ERMS MODULE WIRING DIAGRAM AND REPLACEMENT PARTS PROVIDED ON ENCLOSURE DOOR

DUAL DIMENSIONS: INCHES
 MILLIMETERS

EZ METER-PAK GANGABLE
 MULTI-METERING EQUIPMENT
 1600A, 1PH 3W MAIN CIRCUIT BREAKER DEVICE
 UNDERGROUND FEED ONLY
 RAINPROOF NEMA TYPE 3R ENCLOSURE

SQUARE D
 by Schneider Electric

DWG# PWFDS-SYRS-0114
 NO.